



Color: Bronze

Weight: 11.5 lbs

<b>Project:</b>	<b>Type:</b>
<b>Prepared By:</b>	<b>Date:</b>

Driver Info		LED Info	
Type	Constant Current	Watts	120/100/80W
120V	0.96A/0.80A/0.64A	Color Temp	3000K/4000K/5000K
208V	0.55A/0.46A/0.37A	Color	81-84 CRI
240V	0.51A/0.42A/0.34A	Accuracy	
277V	0.44A/0.36A/0.29A	L70 Lifespan	100,000 Hours
Input Watts	75.9-117.6W	Lumens	10,500-16,953 lm
		Efficacy	132.1-151.2 lm/W

**Technical Specifications**

**Field Adjustability**

**Field Adjustable:**

Field Adjustable Light Output:  
120W/100W/80W (factory default 120W)  
Color temperature (selectable by 3000K, 4000K and 5000K)

**Compliance**

**UL Listed:**

Suitable for wet locations

**IESNA LM-79 & LM-80 Testing:**

RAB LED luminaires and LED components have been tested by an independent laboratory in accordance with IESNA LM-79 and LM-80.

**IP Rating:**

Ingress protection rating of IP65 for dust and water

**Performance**

**Lifespan:**

100,000-Hour LED lifespan based on IES LM-80 results and TM-21 calculations

**Wattage Equivalency:**

120W: 400W Metal Halide  
100W: 400W Metal Halide  
80W: 400W Metal Halide

**LED Characteristics**

**LEDs:**

Long-life, high-efficiency, surface-mount LEDs

**Electrical**

**Driver:**

120W: Constant Current, Class 1, 120-277V, 50/60 Hz, 120V: 0.96A, 208V: 0.55A, 240V: 0.51A, 277V: 0.44A  
100W: Constant Current, Class 1, 120-277V, 50/60 Hz, 120V: 0.80A, 208V: 0.46A, 240V: 0.42A, 277V: 0.36A  
80W: Constant Current, Class 1, 120-277V, 50/60 Hz, 120V: 0.64A, 208V: 0.37A, 240V: 0.34A, 277V: 0.29A

**Dimming Driver:**

Driver includes dimming control wiring for 0-10V dimming systems. Requires separate 0-10V DC dimming circuit. Dims down to 10%.

**THD:**

13.42% at 120V, 9.88% at 277V

**Power Factor:**

99% at 120V, 97% at 277V

**Photocell:**

120-277V selectable photocell that can be turned on and off.

**Construction**

**Cold Weather Starting:**

The minimum starting temperature is -40°C (-40°F)

**Ambient Temperature :**

Max Power Temp Rating: 50°C (122°F)  
Middle Power Temp Rating: 55°C (131°F)  
Low Power Temp Rating: 58°C (137°F)

**Housing:**

Die-cast aluminum

**Lens:**

Tempered glass

**Finish:**

Formulated for high durability and long-lasting color

**Green Technology:**

Mercury and UV free. RoHS-compliant components.

**Installation**

**Mounting:**

Wall mount

**Other**

**Note:**

All values are typical (tolerance +/- 10%)

**Technical Specifications (continued)**

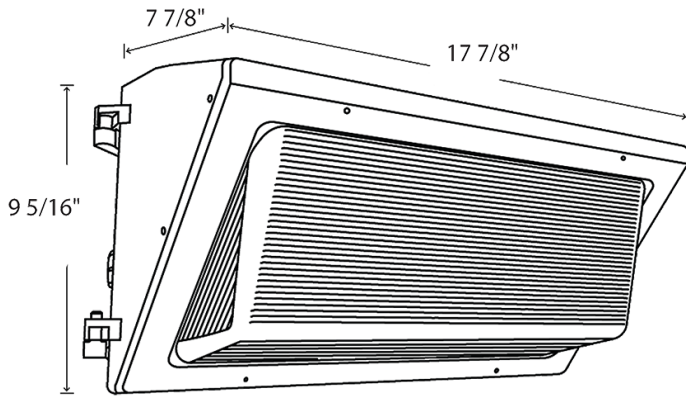
**5 Yr Limited Warranty:**

The RAB 5-year, limited warranty covers light output, driver performance and paint finish. RAB's warranty is subject to all terms and conditions found at [rablighting.com/warranty](http://rablighting.com/warranty).

**Buy American Act Compliance:**

RAB values USA manufacturing! Upon request, RAB may be able to manufacture this product to be compliant with the Buy American Act (BAA). Please contact customer service to request a quote for the product to be made BAA compliant.

**Dimensions**



**Features**

- IP65 Rated
- 100,000-Hour LED lifespan
- 5-Year, limited warranty

**Ordering Matrix**

Family	Wattage	Color Temp	Finish	Voltage/Driver	Options
WP3XFU	120				
	50 = 50/40/30W 120 = 120/100/80W 150 = 150/130/100W	Blank = 3000K/4000K/5000K	Blank = Bronze	Blank = 120-277V, 0-10V Dimming	Blank = Selectable Photocell /LC = Lightcloud Controller /LCB = Lightcloud Blue Enabled /LCBS = Lightcloud Blue Enabled w/PIR Sensor /LCBS/MVS = Lightcloud Blue Enabled w/MVS Sensor