



Color: Bronze

Weight: 7.9 lbs

Project:	Type:
Prepared By:	Date:

Driver Info		LED Info	
Type	Constant Current	Watts	80/60/40W
120V	0.65A/0.49A/0.33A	Color Temp	3000K/4000K/5000K
208V	0.38A/0.28A/0.19A	Color Accuracy	80-84 CRI
240V	0.34A/0.26A/0.17A	L70 Lifespan	100,000 Hours
277V	0.30A/0.22A/0.15A	Lumens	5,651-11,606 lm
Input Watts	38.7-79.5W	Efficacy	139.4-153.1 lm/W

Technical Specifications

Field Adjustability

Field Adjustable:

Field Adjustable Light Output:
80W/60W/40W (factory default 80W)
Color temperature (selectable by 3000K, 4000K and 5000K)

Compliance

UL Listed:

Suitable for wet locations

IESNA LM-79 & LM-80 Testing:

RAB LED luminaires and LED components have been tested by an independent laboratory in accordance with IESNA LM-79 and LM-80.

IP Rating:

Ingress protection rating of IP65 for dust and water

Performance

Lifespan:

100,000-Hour LED lifespan based on IES LM-80 results and TM-21 calculations

Wattage Equivalency:

80W: 400W Metal Halide
60W: 250W Metal Halide
40W: 200W Metal Halide

LED Characteristics

LEDs:

Long-life, high-efficiency, surface-mount LEDs

Electrical

Driver:

80W: Constant Current, Class 1, 120-277V, 50/60 Hz, 120V: 0.65A, 208V: 0.38A, 240V: 0.34A, 277V: 0.30A
60W: Constant Current, Class 1, 120-277V, 50/60 Hz, 120V: 0.49A, 208V: 0.28A, 240V: 0.26A, 277V: 0.22A
40W: Constant Current, Class 1, 120-277V, 50/60 Hz, 120V: 0.33A, 208V: 0.19A, 240V: 0.17A, 277V: 0.15A

Dimming Driver:

Driver includes dimming control wiring for 0-10V dimming systems. Requires separate 0-10V DC dimming circuit. Dims down to 10%.

THD:

13.55% at 120V, 8.51% at 277V

Power Factor:

99% at 120V, 96% at 277V

Photocell:

120-277V selectable photocell that can be turned on and off.

Construction

Cold Weather Starting:

The minimum starting temperature is -40°C (-40°F)

Maximum Ambient Temperature:

Suitable for use in up to 50°C (122°F)

Housing:

Die-cast aluminum

Lens:

Tempered glass

Finish:

Formulated for high durability and long-lasting color

Green Technology:

Mercury and UV free. RoHS-compliant components.

Other

Note:

All values are typical (tolerance +/- 10%)

5 Yr Limited Warranty:

The RAB 5-year, limited warranty covers light output, driver performance and paint finish. RAB's warranty is subject to all terms and conditions found at rablighting.com/warranty.

Technical Specifications (continued)

Buy American Act Compliance:

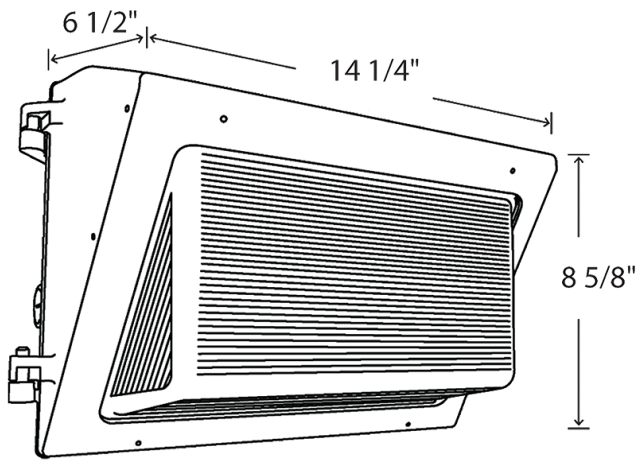
RAB values USA manufacturing! Upon request, RAB may be able to manufacture this product to be compliant with the Buy American Act (BAA). Please contact customer service to request a quote for the product to be made BAA compliant.

Installation

Mounting:

Wall mount

Dimensions



Features

- IP65 Rated
- 100,000-Hour LED lifespan
- 5-Year, limited warranty

Ordering Matrix

Family	Wattage	Color Temp	Finish	Voltage/Driver	Options
WP2XFU	80				
	29 = 29/20/15W 40 = 40/30/20W 60 = 60/45/35W 80 = 80/60/40W 100 = 100/80/60W	Blank = 3000K/4000K/5000K	Blank = Bronze	Blank = 120-277V, 0-10V Dimming	Blank = Selectable Photocell /LC = Lightcloud Controller /LCB = Lightcloud Blue Enabled /LCBS = Lightcloud Blue Enabled w/PIR Sensor /LCBS/MVS = Lightcloud Blue Enabled w/MVS Sensor