

20 Amp, 3ØY 120/208, 277/480 and 347/600 Volts AC, 4 Pole, 5 Wire, Grounding



Fed. Spec.

20A 3ØY 120/208V AC NEMA L21-20R 2 HP	20A 3ØY 277/480V AC NEMA L22-20R 5 HP	20A 3ØY 347/600V AC NEMA L23-20R
--	--	--

Connector Bodies

Watertight Safety-Shroud®

IP66 SUITABILITY

UL Type 4x, 12

Description	Cord Dia.	Catalog Number		
Black Valox® housing, white Valox clamps.	.350"-1.150" (9-29)	HBL2513SW	—	—

Insulgrip®

IP20 SUITABILITY

Description	Cord Dia.	Catalog Number		
Black and white nylon.	.350"-1.150" (9-29)	HBL2513	HBL2523	HBL2533
Black and white nylon, spring termination.	.350"-1.150" (9-29)	HBL2513ST	HBL2523ST	—
Spring termination, all black.	.350"-1.150" (9-29)	HBL2513STBK	—	—
All black nylon.	.350"-1.150" (9-29)	HBL2513BK	—	—
Corrosion resistant, yellow nylon.	.350"-1.150" (9-29)	HBL25CM13	—	—
Black and white for flat cable.	.350"-1.150" (9-29)	HBL2513FC	—	—

Note: See pages C-52 and C-53 for accessories.

Connector Bodies

Watertight Safety-Shroud®

IP66 SUITABILITY

UL Type 4x, 12

Description	Catalog Number		
Gray Valox housing and flange, back wired.	HBL2510SW	—	—

Note: See page C-54 for accessories.

Safety-Shroud® Twist-Lock®

IP20 SUITABILITY

Description	Catalog Number		
Gray Valox angle housing, one gang, back wired.	HBL2510AR	—	—
Gray Valox surface mounting, one gang, back wired.	HBL2510SR	—	—
Gray Valox semi-flush, two gang, back wired.	HBL2510SR2	—	—

Single Flush Receptacles

IP20 SUITABILITY

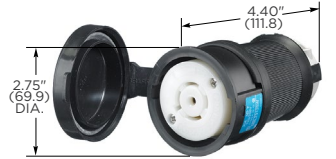
Description	Catalog Number		
Black nylon face, back and side wired.	HBL2510	HBL2520*	HBL2530*
Black and white nylon, spring termination.	HBL2510ST	HBL2520ST	—
Isolated ground, orange nylon face, back and side wired.	IG2510	—	—

Note: See page C-52 for accessories. *Not Fed Spec.

Insulgrip® Flanged Receptacles

Description	Catalog Number		
Nylon casing, back wired.	HBL2516	HBL2526	HBL2536
Nylon casing, back wire, spring termination.	HBL2516ST	HBL2526ST	—
Black nylon casing, back wire, spring termination.	HBL2516STBK	—	—

Note: See page C-52 for accessories.



HBL2513SW



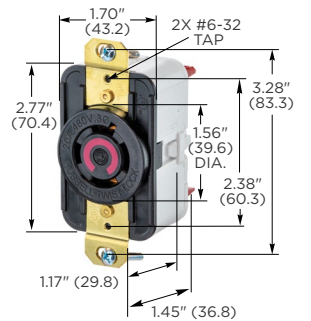
HBL2513



HBL2513ST



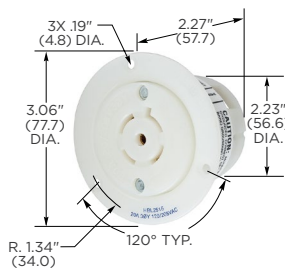
HBL2510SW



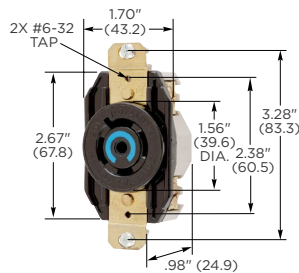
HBL2520ST



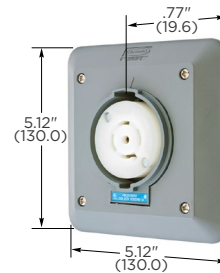
HBL2510SR



HBL2516



HBL2510



HBL2510SR2

Valox® is a trademark of SABIC Innovative Plastics, acquired from General Electric Company.

Dimensions in Inches (mm)