



Harmony GK

Keyboard HMI with configurable touchscreen display adapted to severe environment



Harmony

Discover **Harmony**

Advanced operator interface and industrial relays

Harmony operator interface and industrial relays enhance operational efficiency and equipment availability across industrial and building applications. **Harmony** includes intelligent connected products and edge terminals that visualize, gather and process data, enabling informed operator decisions

Explore our offer

- **Harmony** Push Buttons and Switches
- **Harmony** HMI Operator Terminals, IPC and EdgeBox
- **Harmony** Signaling Devices
- **Harmony** Electrical Relays
- **Harmony** Safety

Life Is On

Schneider
Electric

Quick access to product information

Get technical information about your product

References

Modicon TM3
I/O expansion modules for Modicon controllers
Analog I/O modules

References	Modicon TM3 analog input modules	Input range	Resolution	Input terminal block (T)	Reference	Weight (kg)
2 voltage/current inputs	-10...+10 VDC 0...+10 VDC 0...20 mA / -20 mA	16 bits	16 bits	0 580.2	TM3AI20	0.150
		12 bits	12 bits	0 580.2	TM3AI12	0.150
4 voltage/current inputs	-10...+10 VDC 0...+10 VDC 0...20 mA / -20 mA	12 bits	12 bits	3 910.15	TM3AI4	0.200
		16 bits	16 bits	3 910.15	TM3AI8	0.200
4 voltage/current or temperature inputs (I, K, R, S, E, T, N, E, C)	Thermocouple (I, K, R, S, E, T, N, E, C) Temperature sensor (I, K, R, S, E, T, N, E, C) RTD (Pt100, Pt500, Pt1000) 0...+10 VDC 0...20 mA / -20 mA	16 bits	16 bits	3 910.15	TM3AI4	0.200
		12 bits	12 bits	3 910.15	TM3AI8	0.200
4 differential temperature inputs	Thermocouple (I, K, R, S, E, T, N, E, C) RTD (Pt100, Pt500, Pt1000) 0...+10 VDC 0...20 mA / -20 mA	16 bits	16 bits	3 910.15	TM3DI4	0.150
		12 bits	12 bits	3 910.15	TM3DI8	0.150
4 voltage/current	-10...+10 VDC	16 bits	16 bits	0 580.2	TM3AO2	0.150
		12 bits	12 bits	0 580.2	TM3AO1	0.150

Life Is On Schneider Electric

Search products, documents & more

My Products My Documents Partner Portal

PRODUCTS SOLUTIONS SERVICES SUPPORT ABOUT US

All products Industrial Automation and Control PLC, PAC and Distributed Controllers Distributed Input/Output (I/O) Modules Modicon TM3

View all Modicon TM3

TM3AI2H

Modbus TM3 - 2 analog inputs high resolution

Show more characteristics

Related Software

Product Datasheet User guide Catalogue CAD Document

Characteristics Documents and Downloads Technical FAQs Additional Information Dimensions Drawings

Main

range of product Modicon TM3

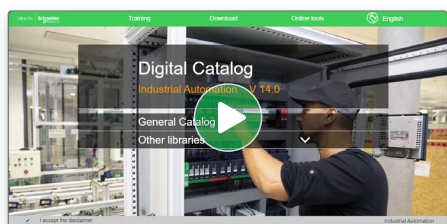
product or component type Analog input module

range compatibility Modicon M351 Modicon M221 Modicon M241

Each commercial reference presented in a catalog contains a hyperlink. Click on it to obtain the technical information of the product:

- Characteristics, Dimensions and drawings, Mounting and clearance, Connections and schemas, Performance curves
- Product image, Instruction sheet, User guide, Product certifications, End of life manual

Find your catalog



- > With just 3 clicks, you can access the Industrial Automation and Control catalogs, in both English and French
- > Consult digital automation catalogs at [Digi-Cat Online](#)

General Catalog

Four-robots, Switches, Pilot Lights & Displays

Pushbuttons, Switches, Pilot Lights & Displays

Beams, Callings & Interlocks

Displaying Devices

IRB (Industrial robot and industrial PLC)

Sensors & RFID Systems

Motor Starters and Load Management

Components for Motor Starters

Variable Speed Drives & Soft Starters

Motor Control & Protection

Instrance, Measurement & Control Relays

PLC, PAC & other Controllers

Product Selector

360°

- Up-to-date catalogs
- Embedded product selectors, 360° pictures
- Optimized search by commercial references

Select your training



- > Find the right [Training](#) for your needs on our Global website
- > Locate the training center with the selector tool, using this [link](#)

Training and courses

Training by domain of expertise

Electrical Installation and Safety

Data Center

Industrial Automation

Life Is On

Schneider Electric

General contents

Harmony GK

■ General Presentation	page 2
Selection guide	page 4
■ Presentation	page 6
■ Functions	page 7
■ Description	
□ HMIGK2310: 5.7" screen	page 9
□ HMIGK5310: 10.4" screen	page 10
■ References	
□ Keypad-Touchscreen panels	page 11
□ Protection accessories and separate parts	page 11
□ Connection accessories	page 12
■ Connection system	page 15
■ Product reference index	page 16

Harmony GK

Keyboard HMI with configurable touchscreen display adapted to severe environment

Harmony GK

Keyboard HMI with configurable touchscreen display adapted to severe environment

Harmony GK are ultra-flexible graphic panels are available in both keypad and touchscreen user interface options. They have similar display and communication characteristics to Harmony GTO and enhance the operator experience with the addition of a keypad. They are available in two screen sizes (5.7" and 10.4") which can be configured and controlled to meet the user's requirements.

Designed to operate in severe environments, Harmony GK panels give optimum control by means of the keypad and touchscreen. They are suitable for industrial sectors exposed to harsh environments, such as:

- Material manufacturing: cement, bricks, wood, glass, etc.
- Metal
- Pulp & paper
- Mining
- Automotive



HMIGK2310



HMIGK5310

Harmony GK

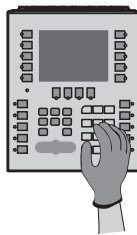
Ultra-flexible user interface

The touchscreen and keypad keys can be configured simultaneously or separately with:

- Function keys (Fi) with customizable labels or associated screen pictograms (Ri)
- Industrial pointer to execute precise commands on screen
- Alphanumeric keypad based on a mobile phone keypad principle
- 3-color LEDs associated with function keys to signal command status
- Improved key sensitivity for visual machine control

Easy operation

In difficult, dusty, or dirty conditions, when the touchscreen cannot be used, the Harmony GK panel can still be operated wearing gloves, because of positive keypad action.



Optimum security for operators

The keypad is securely designed, ensuring operators can access the command keys at any time with possible dual actions, and locked during critical operation phases.

Easy maintenance

The Harmony GK has enhanced features that enable easy maintenance and time saving, such as:

- Long-life LED backlight with low power consumption and fewer replacements
- Highly robust with operating temperatures up to 55 °C, reducing risks during maintenance and the time taken
- In-built SD card slot and standard SD media card, so no PC is required to upgrade the application on site
- Easy installation with tool-free mounting spring clips
- Simple replacement of removable batteries
- Remote diagnostics with Vijeo Air enable maintenance staff to identify issues without being physically present at site

Harmony GK

Keyboard HMI with configurable touchscreen display adapted to severe environment

Harmony GK (continued)

Easy substitution

Existing Harmony XBTF or XBTGK panels with keypads can easily be replaced with Harmony GK panels:

- Identical screen size and communication capability
- Same cut-out and keypad layout
- Use of spring clips
- Same configuration software with Vijeo Designer

Vijeo Designer software

With the advanced ergonomic design of Harmony GK, the single Vijeo Designer configuration software in Schneider Electric's HMI range ensures that operator dialogue projects can be processed quickly and easily. It also offers a complete set of application management tools.

The Vijeo Air offer is fully compatible with Harmony GK and enables remote access and connectivity anytime, anywhere.



Vijeo Designer software



Vijeo Design' Air

Harmony GK

Keyboard HMI with configurable touchscreen display adapted to severe environment

Applications		Display of text messages, graphic objects and synoptic views Control and configuration of data
Type of panel		Keypad-Touchscreen panels
		
Screen	Type	Color TFT LCD
	Size	5.7"
	Resolution	QVGA, 320 x 240 pixels, 65 K colors
	Backlight	Life span > 50,000 hrs @ 25 °C/77 °F
Data entry	Via keypad and/or touchscreen (configurable) and/or industrial pointer	
	Static function keys	10
	Dynamic function keys	14
	Service keys	8
	Alphanumeric keys	12
Memory capacity	Application	128 MB Flash EPROM
	Expansion	4 GB SD Card
Functions	Maximum number of pages	Limited by capacity of internal Flash EPROM memory or SD card memory
	Variables per page	Unlimited (8000 variables max.)
	Representation of variables	Alphanumeric, bitmap, bargraph, gauge, tank, tank level indicator, curves, polygon, button, LED
	Recipes	32 groups of 64 recipes comprising 1024 ingredients max.
	Curves	Yes, with log
	Alarm logs	Yes
	Real-time clock	Built-in
	Discrete I/O	-
	Multimedia I/O	-
	Communication	Downloadable protocols
Asynchronous serial link		RS-232C (COM1) RS-485 (COM2)
USB ports		2
Bus and networks		Modbus Plus, Fipway with USB gateway Ethernet TCP/IP (10BASE-T/100BASE-TX)
Printer link		RS-232C (COM1) serial link, USB port for parallel printer
Development software		Vijeo Designer (on Windows 10 Professional and Windows 7 Professional 32/64-bit)
Operating system		Harmony (CPU 333 MHz RISC)
Type of panel		HMIGK2310
Page		11

Applications		Display of text messages, graphic objects and synoptic views Control and configuration of data
Type of panel		Keypad-Touchscreen panels
		
Screen	Type	Color TFT LCD
	Size	10.4"
	Resolution	VGA, 640 x 480 pixels, 65 K colors
	Backlight	Life span > 50,000 hrs @ 25 °C/77 °F
Data entry	Via keypad and/or touchscreen (configurable) and/or industrial pointer	
	Static function keys	12
	Dynamic function keys	18
	Service keys	8
	Alphanumeric keys	12
Memory capacity	Application	128 MB Flash EPROM
	Expansion	4 GB SD Card
Functions	Maximum number of pages	Limited by capacity of internal Flash EPROM memory or SD card memory
	Variables per page	Unlimited (8000 variables max.)
	Representation of variables	Alphanumeric, bitmap, bargraph, gauge, tank, tank level indicator, curves, polygon, button, LED
	Recipes	32 groups of 64 recipes comprising 1024 ingredients max.
	Curves	Yes, with log
	Alarm logs	Yes
	Real-time clock	Built-in
	Discrete I/O	-
	Multimedia I/O	-
	Communication	Downloadable protocols
Asynchronous serial link		RS-232C (COM1) RS-485 (COM2)
USB ports		2
Bus and networks		Modbus Plus, Fipway with USB gateway Ethernet TCP/IP (10BASE-T/100BASE-TX)
Printer link		RS-232C (COM1) serial link, USB port for parallel printer
Development software		Vijeo Designer (on Windows 10 Professional and Windows 7 Professional 32/64-bit)
Operating system		Harmony (CPU 333 MHz RISC)
Type of panel		HMIGK5310
Page		11

Harmony GK

Keyboard HMI with configurable touchscreen display adapted to severe environment



HMIGK2310

Presentation

The Harmony GK offers a range of keypad-touchscreen panels (HMIGK) available in 5.7" and 10.4" (color) panel sizes.

Operation

The HMIGK panels can be operated at several function levels. These multifunction Harmony GK panels feature information and communication technologies, which include:

- High communication level (embedded Ethernet, multilink, Web server and FTP)
- External data storage (SD memory card and USB memory stick) for storing production data and backing up applications
- USB tower light
- Management of peripherals: printers, bar code readers, etc.

Configuration

Harmony GK panels can be configured using Vijeo Designer software in a Windows 7, Windows 8.1 and Windows 10 Pro environment.

Vijeo Designer software boasts an advanced user interface with many configurable windows, enabling projects to be developed quickly and easily. The Harmony GK range is compatible with Vijeo Designer V6.2 SP4.1 or later. For more information, please refer to Vijeo Designer catalog ([DIA5ED2130614EN](#)).



Display page

Harmony GK

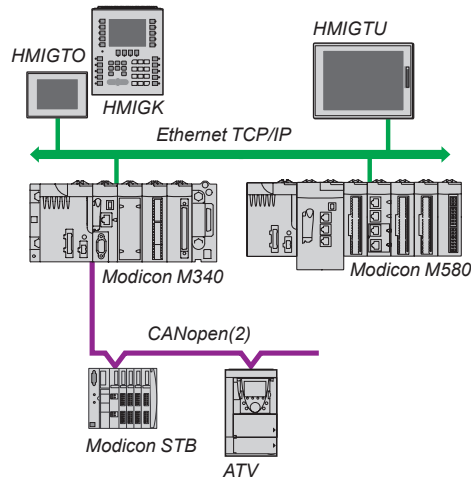
Keyboard HMI with configurable touchscreen display adapted to severe environment

Communication

Harmony GK panels communicate with PLCs via one or two integrated serial links, using the following communication protocols:

- Schneider Electric (Uni-TE, Modbus)
- Third-party: Mitsubishi Electric, Omron, Allen-Bradley and Siemens

Harmony GK panels can be connected to Ethernet TCP/IP networks using Modbus TCP or third-party protocols, and to fieldbuses (Fipway, Modbus Plus).



Functions

Harmony GK panels offer the following functions:

- Display of animated mimics with 8 types of animation (pressing the touch panel, color changes, filling, movement, rotation, size, visibility and value display)
- Control and modification of numeric or alphanumeric variables
- Display of current date and time
- Real-time and trending curves with log
- Alarm display, alarm log and management of alarm groups
- Multiwindow management
- Page calls initiated by the operator
- Multilingual application management (10 languages at the same time)
- Recipe management
- Data processing via Java script
- Storage of the application and logs on external SD application memory card (multifunction range) or USB key
- Serial printer and bar code reader management

Architectures and communication

The Harmony GK range is perfectly integrated in the EcoStruxure Machine (1) automation solutions offer, which helps machine manufacturers (OEMs) quickly design optimized machines (in terms of cost and energy efficiency).

EcoStruxure Machine solutions are based on high-performance control platforms and a single software package: SoMachine and EcoStruxure Machine Expert. SoMachine and EcoStruxure Machine Expert allows the development, commissioning and programming of machines. SoMachine version 4.2 allows programming of panels in the Harmony GK range using Vijeo Designer software.

Harmony GK Panels have been designed for EcoStruxure Plant (1) and EcoStruxure Machine (1) architectures and also for Transparent Ready equipment (combination of Web and Ethernet TCP/IP technologies). Therefore, all panels with an Ethernet port feature a built-in FTP server for data file transfer and a Web Gate function for remote access to the panel application from a PC with an Internet browser. Vijeo Designer also allows Harmony Panels to browse HTML pages and send e-mails.

(1) For more information on the "EcoStruxure Plant and EcoStruxure Machine" concept, please refer to our website [www.se.com/Solutions/EcoStruxure Plant and Machine](http://www.se.com/Solutions/EcoStruxure_Plant_and_Machine).

(2) For more information on CANopen bus references, please refer to CANopen for machines catalog on our website www.se.com.



SoMachine



EcoStruxure Machine Expert



Vijeo Designer

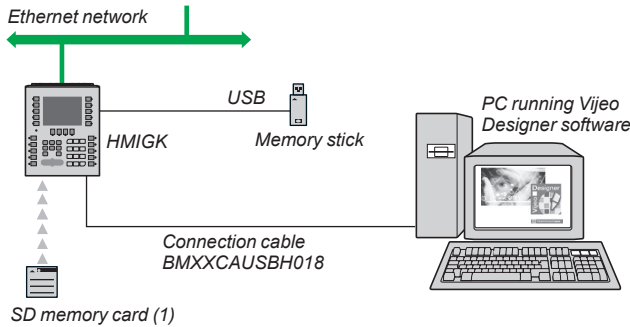
Harmony GK

Keyboard HMI with configurable touchscreen display adapted to severe environment

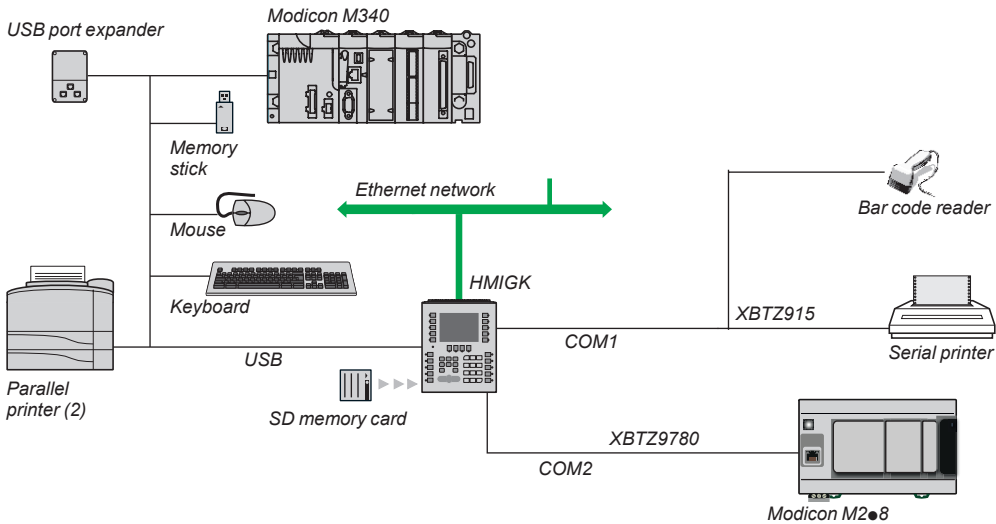
Panel operating modes

The following illustrations show which equipment can be connected to Harmony GK according to the two operating modes.

Edit mode



Operating mode

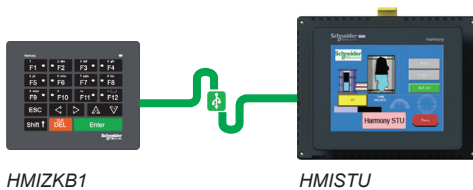


Improve environmental resistance with Conformal Coating

The Conformal Coating service offer consists of varnishing the electronic cards to prolong the service life of the panels and enable them to be used in corrosive environments. Varnishing increases resistance to condensation, dusty atmospheres and chemical corrosion (sulphurous and halogenous atmospheres). For further information on this service offer, please contact our Customer Care Center.

Harmony Small panels with keypad-touchscreen flexibility

The Harmony GK keypad is consistent with the design and features of USB keypad accessory **HMIZKB1**. HMI small touchscreen panels can thus also be converted to keypad-touchscreen panels by connecting this USB keypad accessory.

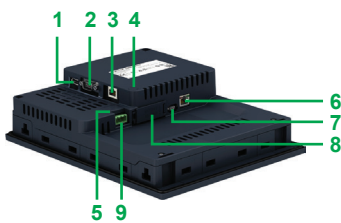
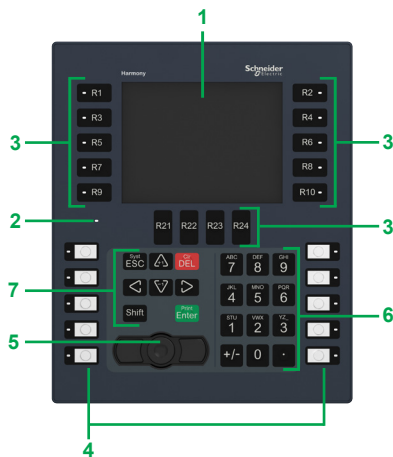


(1) Validated with Hewlett Packard printer via USB/PIO converter.

Harmony GK

Keyboard HMI with configurable touchscreen display adapted to severe environment


HMIGK2310: 5.7" screen



Description

HMIGK2310

Front view

- 1 A touchscreen for displaying synoptic views (5.7" color) which is configurable with Vijeo Designer
- 2 A multicolor status indicator (green, orange and red) showing the panel operating mode
- 3 14 dynamic function keys (Ri) with 3-color LED (green, orange, red)
- 4 10 static function keys (Fi) with 3-color LED (green, orange, red) and customizable labels
- 5 An industrial mouse pointer “”, configurable using Vijeo Designer
- 6 12 alphanumeric keys (0...9, +/-. , .), which can be pressed several times in succession to access characters (A...Z)
- 7 8 service keys:



Delete character to left of cursor



Move cursor to right or left in an entry field



Confirm a selection or entry



Access the second of the dual key functions



Increment or decrement a numeric field value or activate the next or previous object



Exit entry mode



Display the configuration menu of the panel



Copy the current screen



Delete entire field

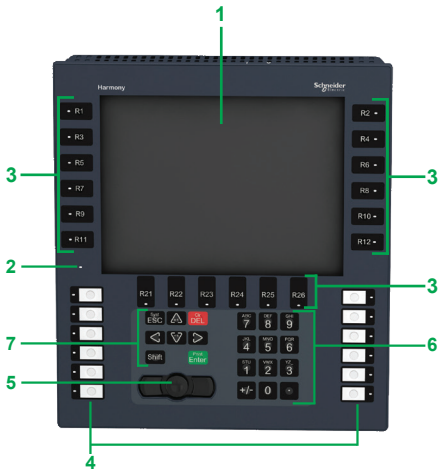
Rear view

- 1 A type A USB host connector for connecting peripherals, transferring applications and Modicon M340 panel port communication (USB1)
- 2 A 9-way male SUB-D connector for RS-232C serial link to PLCs (COM1)
- 3 An RJ45 connector for RS-485 serial link (COM2)
- 4 An SD card access LED indicator
- 5 A COM2 yellow LED indicating data transmission status
- 6 An RJ45 connector for Ethernet TCP/IP link, 10BASE-T/100BASE-TX
- 7 A mini-B USB connector for application transfer (USB2) (1)
- 8 A slot for SD memory card/battery with cover
- 9 A removable screw panel block for 24 V \square power supply

(1) See [page 12](#) for details of the required connection accessories.

Harmony GK

Keyboard HMI with configurable touchscreen display adapted to severe environment
HMIGK5310: 10.4" screen



Description (continued)

HMIGK5310

Front view

- 1 A touchscreen for displaying synoptic views (10.4" color TFT) which is configurable using Vijeo Designer
- 2 A multicolor status indicator (green, orange and red) showing the panel operating mode
- 3 18 dynamic function keys (Ri) with 3-color LED (green, orange, red)
- 4 12 static function keys (Fi) with 3-color LED (green, orange, red) and customizable labels
- 5 An industrial mouse pointer "☞", configurable using Vijeo Designer
- 6 12 alphanumeric keys (0...9, +/-, .), which can be pressed several times in succession to access characters (A...Z)
- 7 8 service keys:



Delete character to left of cursor



Move cursor to right or left in an entry field



Confirm a selection or entry



Access the second of the dual key functions



Increment or decrement a numeric field value or activate the next or previous object



Exit entry mode



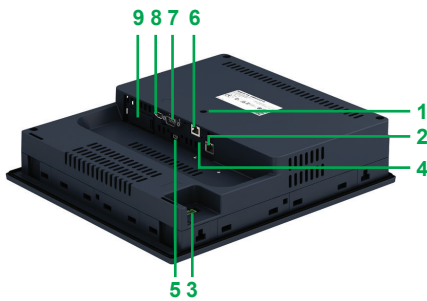
Display the configuration menu of the panel



Copy the current screen



Delete entire field



Rear view

- 1 An SD card access LED indicator
- 2 An RJ45 connector for Ethernet TCP/IP link, 10BASE-T/100BASE-TX
- 3 A removable screw panel block for 24 V $\bar{\text{DC}}$ power supply
- 4 A COM2 yellow LED indicating data transmission status
- 5 A mini-B USB connector for application transfer (USB2) (1)
- 6 An RJ45 connector for RS-485 (COM2) with switch for polarization of the link used on Modbus
- 7 A 9-way male SUB-D connector for RS-232C serial link to PLCs (COM1)
- 8 A type A USB host connector for connecting peripherals, transferring applications and Modicon M340 panel port communication (USB1)
- 9 A slot for SD memory card/battery, with hinged cover

(1) See page 12 for details of the required connection accessories.

Harmony GK

Keyboard HMI with configurable touchscreen display adapted to severe environment
Keypad-Touchscreen panels, protection accessories and separate parts



HMIGK2310



HMIGK5310



XBTZUSB

Keypad-Touchscreen panels (1)

Type of screen	Number of ports	Application memory capacity	SD memory card	Video input	Number of Ethernet ports	Reference	Weight kg/lb
5.7" screen							
TFT	1 COM1	128 MB	Yes	No	1	HMIGK2310	1.800/ 3.968
Color mode	1 COM2 2 USB						
10.4" screen							
TFT	1 COM1	128 MB	Yes	No	1	HMIGK5310	3.300/ 7.275
Color mode	1 COM2 2 USB						

Protection accessories

Description	Details	Compatible with panels	Reference	Weight kg/lb
Protective sheets (5 peel-off sheets)	Disposable, dirt-resistant sheet for the display	HMIGK2310	XBTZG68	-
		HMIGK5310	XBTZG69	-
Seals	Provide dust and moisture resistance when this product is installed in a solid panel	HMIGK2310	XBTZG58	-
		HMIGK5310	XBTZG59	-

Separate parts

Description		For use with panels	Reference	Weight kg/lb
USB fastenings Sold in lots of 5	Type A	HMIGK●●●●	HMIZGCLP1	-
	Type mini-B		HMIZSCLP3	-
Power supply connector Sold in lots of 5		HMIGK●●●●	HMIZGPWS	0.030/ 0.066
Sheets of customizable labels for GK panels Sold in lots of 10		HMIGK2310	XBLYGK2	0.030/ 0.066
		HMIGK5310	XBLYGK5	-
Spring clip fasteners		HMIGK●●●●	XBTZ3002	-
Remote USB port for panel GK●●●	Enables the USB type A port to be located remotely on the rear of the XBT panel on a panel or enclosure door (Ø 21 mm fixing device)	HMIGK2310 HMIGK5310	XBTZGUSB	-
Remote USB port for panel GK●●●	Enables the USB mini-B port to be located remotely on the rear of the HMIGK panel on a panel or enclosure door (Ø 21 mm fixing device)		HMIZSUSBB	-
SD Memory Card 4GB	4 GB SD Memory Card		HMIZSD4G	-

Equivalent product table between XBTGK panels and HMIGK panels

Old range XBTGK	New range HMIGK	Comments
XBTGK2120	HMIGK2310	
XBTGK2330	HMIGK2310	
XBTGK5330	HMIGK5310	No auxiliary connector, only one USB port type A

Note: When upgrading from Harmony XBTGK range to the Harmony GK range, the following parameters must be taken into account:

- Connection fieldbus Profibus DP and DeviceNet not possible
- COM1 serial ports only support RS232C signal
- No CF card but SD card for optional storage unit
- No CANopen Primary support with Combo function
- An additional mini-B USB port available for easy application download
- Same cut-out and same keypad layout
- New backlight LED with less consumption
- Battery is now removable

(1) Fixing kit (spring clips), locking device for USB connectors, customizable label sheets and instruction sheet included with panels.

Note: The separate part products may be changed or discontinued without notice. Please check our website www.se.com for the latest information.

Harmony GK

Keyboard HMI with configurable touchscreen display adapted to severe environment
Connection accessories

Cables for application transfer - Panel to PC					
Type of panel (panel end connector)	Connector (PC end)	Type	Length m/ft	Reference (1)	Weight kg/lb
HMIGK	USB mini-B	USB	1.8/ 5.91	BMXXCAUSBH018	0.230/ 0.507

Printer connection cables					
Type of printer (2)	Connector (printer end)	Type	Length m/ft	Reference	Weight kg/lb
Serial printer for HMIGK panels	25-way SUB-D female	RS-232C (COM1)	2.5/ 8.20	XBTZ915	0.200/ 0.441
Serial printer for HMIGK panels	USB	RS-232C (COM1)	1.80/ 5.91	HMIZURS	–

Adaptors and isolation boxes for Harmony GK panels

These 2 adaptors are used with the connection cables depending on the application concerned.

Description	Type of connector (automation product end)	Physical link (HMIGK panel end)	Length m/ft	Reference	Weight kg/lb
Adaptor for HMIGK (COM2 port)	25-way SUB-D connector	RJ45 connector	0.2/ 0.66	XBTZG939	–
Adaptor for HMIGK (COM1 port)	25-way SUB-D connector	9-way SUB-D connector, RS-232C	0.2/ 0.66	XBTZG919	–

Description	For use with	Link to isolate	Reference	Weight kg/lb
Serial link isolation units for HMIGK	- Connection to serial port of HMI panel	RS-232C/RS-485 (COM1)	XBTZGI232	–
	- Isolated link on 9-way SUB-D connector (3)			
	- Box power supply via USB port of panel. Incorporates a USB port expander.	RS-485 (COM2)	XBTZGI485	–



XBTZG939



XBTZGI485

Cables for connecting Harmony panels to other Schneider Electric products

Automation product type	Type of connector (automation product end)	Protocol	Type of panel	Link	On port	Length m/ft	Reference	Weight kg/lb
Nano, Modicon TSX Micro, Modicon Premium	Panel port, 8-way female mini-DIN	Uni-TE (V1/V2), Modbus	HMIGK	RS-485	COM2	2.5/ 8.20	XBTZ9780	0.180/ 0.397
						10/ 32.80	XBTZ9782	–
Modicon M340 Modicon M2●●	RJ45	Modbus	HMIGK	RS-485	COM2	2.5/ 8.20	XBTZ9980	0.230/ 0.507
						10/ 32.80	XBTZ9982	–
Modicon M340	USB Mini-B	Panel port	HMIGK	USB	USB type A	1.8/ 5.91	BMXXCAUSBH018	0.230/ 0.507
						4.5/ 14.76	BMXXCAUSBH045	–
Modicon Quantum	9-way male SUB-D	Modbus	HMIGK	RS-232C	COM1	2.5/ 8.20	XBTZ9710 + (4)	0.210/ 0.463
						3.7/ 12.14	990NAA26320	0.290/ 0.639
Modicon STB	HE13 (NIM, network interface module)	Modbus	HMIGK	RS-232C	COM1	2/ 6.56	STBXCA4002	0.210/ 0.463
						2.5/ 8.20	XBTZ988 + (4)	0.220/ 0.485
Modicon Momentum M1	RJ45 (port 1 on Momentum M1)	Modbus	HMIGK	RS-232C	COM1	2.5/ 8.20	XBTZ9711 + (4)	0.210/ 0.463
TeSys U, T starters ATV 312/61/71 variable speed drives ATS 48 starters Lexium 05 Preventa XPSMC	RJ45	Modbus	HMIGK	RS-485	COM2	3/ 9.84	VW3A8306R30	0.060/ 0.132
						2.5/ 8.20	XBTZ9980	–
						10/ 32.80	XBTZ9982	–

(1) Cable included (depending upon the model) with Vijeo Designer software packages, refer to Vijeo Designer catalog [DIA5ED2130614EN](#).

(2) Parallel printer (see [page 8](#)).

(3) Male connector with [XBTZGI232](#), female connector with [XBTZGI485](#).

(4) [XBTZG919](#) adaptor to be used with cables.

Note: The connection accessories may be changed or discontinued without notice. Please check our website www.se.com for the latest information.

Harmony GK

Keyboard HMI with configurable touchscreen display adapted to severe environment

Connection accessories



XBTZG9772



XBTZG9731

Cables and adaptors for connecting Harmony panels to third-party PLCs

Mitsubishi, Melsec PLCs

Description Driver used	Type of panel	Type of connector (fitted to cable, excluding adaptor)	Physical link (COM1)	Length m/ft	Reference	Weight kg/lb
Connection cable <i>Q Link (SIO)</i>	HMIGK	9-way SUB-D 9-way SUB-D	RS-232C	5/ 16.40	XBTZG9772	–
Connection cable <i>Q CPU (SIO)</i>	HMIGK	9-way SUB-D mini-DIN	RS-232C	5/ 16.40	XBTZG9774	–
Connection cable <i>A Link (SIO)</i>	HMIGK	9-way SUB-D 25-way SUB-D	RS-232C	5/ 16.40	XBTZG9731	–
Connection cable <i>FX (CPU)</i>	HMIGK	9-way SUB-D mini-DIN	RS-422	5/ 16.40	XBTZ980 + XBTZG919	–

Omron, Sysmac PLCs

Description Driver used	Type of panel	Type of connector (fitted to cable, excluding adaptor)	Physical link (COM1)	Length m/ft	Reference	Weight kg/lb
Connection cables <i>Link (SIO)</i>	HMIGK	9-way SUB-D 9-way SUB-D	RS-232C	5/ 16.40	XBTZG9740	–
		9-way SUB-D 25-way SUB-D	RS-232C	5/ 16.40	XBTZG9731	–
Connection cables <i>FINS (SIO)</i>	HMIGK	9-way SUB-D 9-way SUB-D	RS-232C	5/ 16.40	XBTZG9740	–

Rockwell Automation, Allen-Bradley PLCs

Description Driver used	Type of panel	Type of connector (fitted to cable, excluding adaptor)	Physical link	Length m/ft	Reference	Weight kg/lb
Connection cables <i>DF1 Full Duplex</i>	HMIGK	9-way SUB-D 25-way SUB-D	RS-232C (COM1)	5/ 16.40	XBTZG9731	–
Connection cables <i>DH485</i>	HMIGK	25-way SUB-D 8-way mini-DIN	RS-485 (COM2)	5/ 16.40	XBTZ9732 + XBTZG939	–

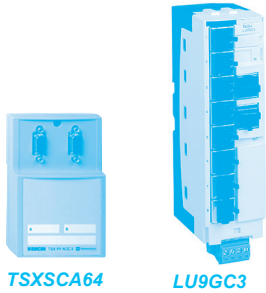
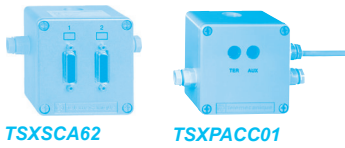
Siemens, Simatic PLCs

Description Driver used	Type of panel	Type of connector (fitted to cable, excluding adaptor)	Physical link	Length m/ft	Reference	Weight kg/lb
Connection cable <i>PPI, S7 200</i>	HMIGK	RJ45/9-way SUB-D	RS-485 (COM2)	2.5/ 8.20	XBTZG9721	–
Connection cables <i>MPI port, S7 300/400</i>	HMIGK	9-way SUB-D 9-way SUB-D	RS-232C (COM1)	3/ 9.84	XBTZG9292	–

Note: The connection accessories may be changed or discontinued without notice. Please check our website www.se.com for the latest information.

Harmony GK

Keyboard HMI with configurable touchscreen display adapted to severe environment
Connection accessories



Connection of Harmony panels via serial links and Ethernet network

Type of bus/network	Tap-off units	Connector (tap-off unit side)	Type of panel	Length m/ft	Reference	Weight kg/lb
Uni-Telway serial link	Subscriber socket TSXSACA62	15-way female SUB-D	HMIGK (COM2)	3/ 9.84	VW3A8306	0.150/ 0.330
	Connection box TSXPACC01	8-way female mini-DIN	HMIGK (COM2)	2.5/ 8.20	XBTZ9780	0.180/ 0.397
Modbus serial link	Subscriber socket TSXSACA64	15-way female SUB-D	HMIGK (COM2)	3/ 9.84	VW3A8306	0.150/ 0.330
	8-port Modbus splitter box LU9GC3	RJ45	HMIGK (COM2)	2.5/ 8.20	XBTZ9980	-
	2-port tap-off junction TDXCAISO TDXCAT3RJ					
	T-junction box	With integrated cable, RJ45 fitted	HMIGK (COM2)	-	VW3A8306TF10	-
Ethernet TCP/IP network	Hubs	RJ45	HMIGK●●30	2/ 6.56	490NTW00002	-
	499 NEH/NOH			5/ 16.40	490NTW00005	-
	499 NES, 499 NMS, 499 NSS and 499 NOS			12/ 39.37	490NTW00012	-
				40/ 131.23	490NTW00040	-
				80/ 262.47	490NTW00080	-

Connection of Harmony panels to fieldbuses

Type of bus/network	Connection components	Type of panel	Reference	Weight kg/lb
Fipway, Fipio	USB gateway	HMIGK	TSXCUSBFIP	-
Modbus Plus	USB gateway	HMIGK	XBTZGUMP	-

Modular regulated switch mode power supplies (1)

Input voltage/ Output voltage	Combination with panels	Nominal power	Nominal current	Reference	Weight kg/lb
100...240/24 V single-phase wide range line supply 47...63 Hz	HMIGK	30 W	1.2 A	ABL8MEM24012	0.195/ 0.430

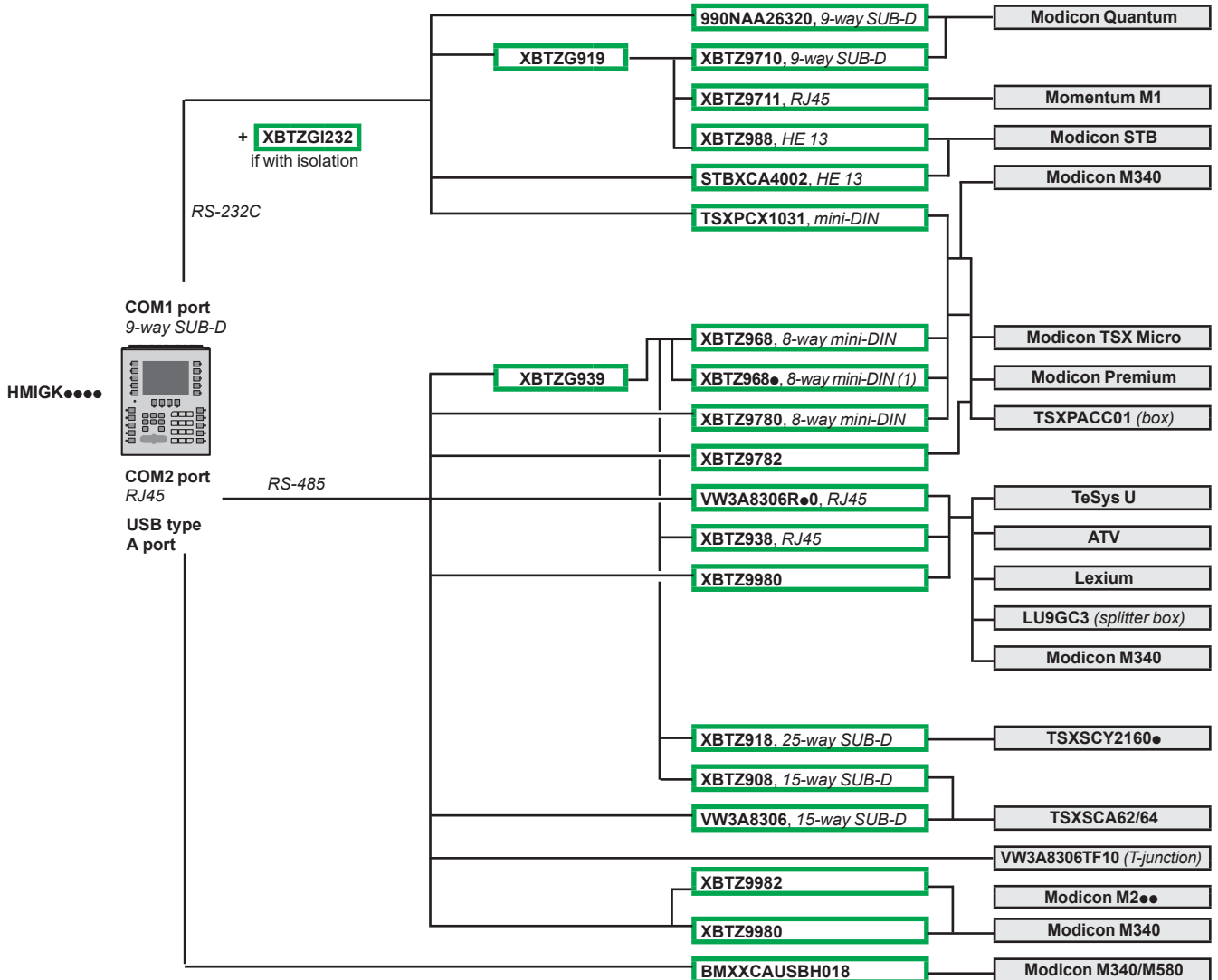
(1) Dimensions: H x W x D = 90 x 54 x 59 mm/3.54 x 2.13 x 2.32 in. (ABL8MEM24012) and 90 x 72 x 59 mm/3.54 x 2.83 x 2.32 in. (ABL7RM24025). For further information, please refer to our website www.se.com.

Note: The connection accessories may be changed or discontinued without notice. Please check our website www.se.com for the latest information.

Harmony GK

Keyboard HMI with configurable touchscreen display adapted to severe environment
Connection system

HMIGK panels and Schneider Electric products



(1) ● defines the length:
 - 0, 2.5 m/8.20 ft (elbowed connector)
 - 1, 5 m/16.40 ft
 - 6, 16 m/52.49 ft
 - 7, 20 m/65.62 ft
 - 8, 25 m/82.02 ft

#		XBTZGI232	12
490NTW00002	14	XBTZGI485	12
490NTW00005	14	XBTZGUMP	14
490NTW00012	14	XBTZGUSB	11
490NTW00040	14		
490NTW00080	14		
990NAA26320	12		
A			
ABL8MEM24012	14		
B			
BMXXCAUSBH018	12		
BMXXCAUSBH045	12		
H			
HMIGK2310	11		
HMIGK5310	11		
HMIZGCLP1	11		
HMIZGPWS	11		
HMIZSCLP3	11		
HMIZSD4G	11		
HMIZSUSBB	11		
HMIZURS	12		
S			
STBXCA4002	12		
T			
TSXCUSBFIP	14		
V			
VW3A8306	14		
VW3A8306R30	12		
VW3A8306TF10	14		
X			
XBLYGK2	11		
XBLYGK5	11		
XBTZ3002	11		
XBTZ915	12		
XBTZ9710	12		
XBTZ9711	12		
XBTZ9732	13		
XBTZ9780	12		
	14		
XBTZ9782	12		
XBTZ980	13		
XBTZ988	12		
XBTZ9980	12		
	14		
XBTZ9982	12		
XBTZG58	11		
XBTZG59	11		
XBTZG68	11		
XBTZG69	11		
XBTZG919	12		
	13		
XBTZG9292	13		
XBTZG939	12		
	13		
XBTZG9721	13		
XBTZG9731	13		
XBTZG9740	13		
XBTZG9772	13		
XBTZG9774	13		

mySchneider, your personalized digital experience

Access an all-in-one customized online experience and benefit from tailored business services, resources, and tools to efficiently support your business operations.

- **Efficiency:** In just a few clicks, find all the information and support you need to get the job done.
- **Simplicity:** Use a single login to access all business services, in one place, available 24/7. You no longer need to log in to multiple platforms.
- **Personalization:** Benefit from content, tools, and business services tailored to your activity, and customize your landing page based on your preferences.

Watch the How-to Videos



Order management

- > [Select Products and Add to Cart](#)
- > [Check for Products' Price and Availability](#)
- > [Order Products with Generic Commercial References](#)



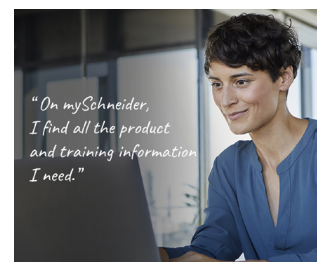
Product information

- > [Find a Product Data Sheet and Related Documents](#)
- > [Select Products and Add to Cart](#)
- > [Stay Up to Date on the Status of My Products](#)



Support

- > [Get Quicker Answers Thanks to Online Support](#)



Training

- > [Access Trainings Dedicated to My Activity](#)

[Create your account](#)

Life Is 

Schneider
Electric

Legal information

The information provided in this Catalog contains description of Schneider Electric products, solutions and services ("Offer") with technical specifications and technical characteristics of the performance of the corresponding Offer.

The content of this document is subject to revision at any time without notice due to continued progress in methodology, design and manufacturing.

To the extent permitted by applicable law, no responsibility or liability is assumed by Schneider Electric and its subsidiaries for any type of damages arising out of or in connection with (i) informational content of this Catalog not conforming with or exceeding the technical specifications, or (ii) any error contained in this Catalog, or (iii) any use, decision, act or omission made or taken on basis of or in reliance on any information contained or referred to in this Catalog.

SCHNEIDER ELECTRIC MAKES NO WARRANTY OR REPRESENTATION OF ANY KIND, WHETHER EXPRESS OR IMPLIED, AS TO WHETHER THIS CATALOG OR ANY INFORMATION CONTAINED THEREIN SUCH AS PRODUCTS AND SERVICES WILL MEET REQUIREMENTS, EXPECTATIONS OR PURPOSE OF ANY PERSON MAKING USE THEREOF.

Schneider Electric brand and any trademarks of Schneider Electric and its subsidiaries referred to in this Catalog are property of Schneider Electric or its subsidiaries. All other brands are trademarks of their respective owners.

This Catalog and its content are protected under applicable copyright laws and provided for informative use only. No part of this Catalog may be reproduced or transmitted in any form or by any means (electronic, mechanical, photocopying, recording, or otherwise), for any purpose, without the prior written permission of Schneider Electric.

Copyright, intellectual, and all other proprietary rights in the content of this Catalog (including but not limited to software, audio, video, text, and photographs) rests with Schneider Electric or its licensors. All rights in such content not expressly granted herein are reserved. No rights of any kind are licensed or assigned or shall otherwise pass to persons accessing this information.

Life Is On



Learn more about our products at www.se.com/hmi

Design: Schneider Electric
Photos: Schneider Electric

Schneider Electric Industries SAS

Head Office
35, rue Joseph Monier - CS 30323
F-92500 Rueil-Malmaison Cedex
France

DIA5ED2160601EN
May 2024 - V3.2