

Maestro Timer Switch

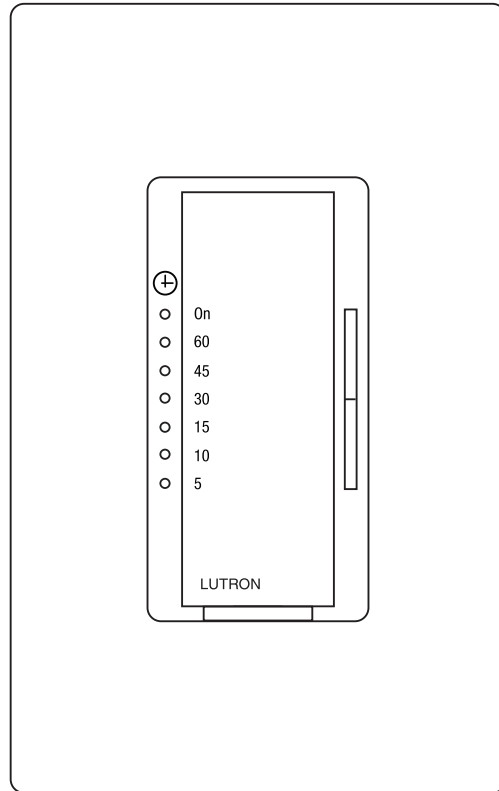
Countdown timer switch for dimmable LED bulbs and high-efficiency exhaust fans.

Features

- Tap on to start timer (5-60 minutes): tap off; double tap to keep on with no timer action.
- Touch rocker to adjust countdown time.
- One minute warning before lights/fan go off.
- Single-pole/multi-location
 - For multi-location, use one timer with Maestro companion switch(es), model MA-AS.
- Indicator lights display countdown level.
- Neutral connection required.
- UL Listed to switch:
 - LEDs
 - Exhaust fans
 - Incandescent/halogen
 - Magnetic low-voltage
 - Electronic low-voltage
 - Dimmable compact fluorescent lamps (CFLs) with integrated ballast
 - Fluorescent
- FASS - Front Accessible Service Switch for bulb replacement.
- 100% factory tested.

Model Number¹

MA-T51MN-XX Single-Pole/Multi-Location



Wallplate sold separately

Notes:

¹ XX in the model number represents color/finish code; see section “Colors and Finishes” on page 6.

LUTRON SPECIFICATION SUBMITTAL

Page

Job Name:	Model Numbers:
Job Number:	

Specifications

Regulatory Approvals

- cUL 1472
- NOM

Power and Ratings

- 120 V~ 50/60 Hz
- 150 W LED/CFL
- 3 A fan
- 5 A lighting
- No minimum load requirement

Environment

- For indoor use only
- Operating temperatures 32 °F (0 °C) to 104 °F (40 °C)
- 0% to 95% relative humidity, non-condensing

Performance

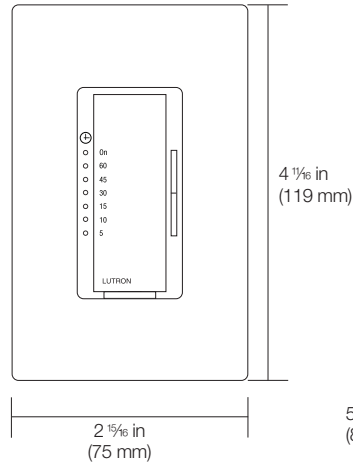
- Power-failure memory
- Electrostatic discharge tested
- Precise color matching
- Mechanical air-gap switch to disconnect load power

Warranty

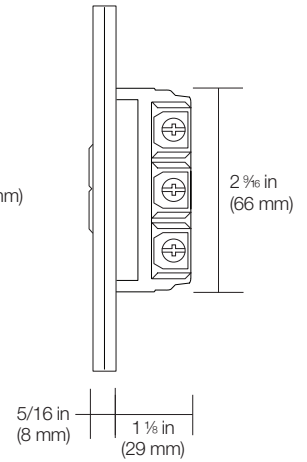
- 1 Year Limited Warranty
- For additional Warranty information, please visit www.lutron.com/TechnicalDocumentLibrary/369-119_Wallbox_Warranty.pdf

Dimensions

Front View



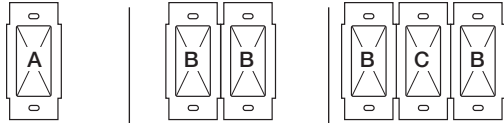
Side View



Note: Requires a U.S. wallbox 2 1/2 in (64 mm) deep minimum.

Job Name:	Model Numbers:
Job Number:	

Ganging and Derating

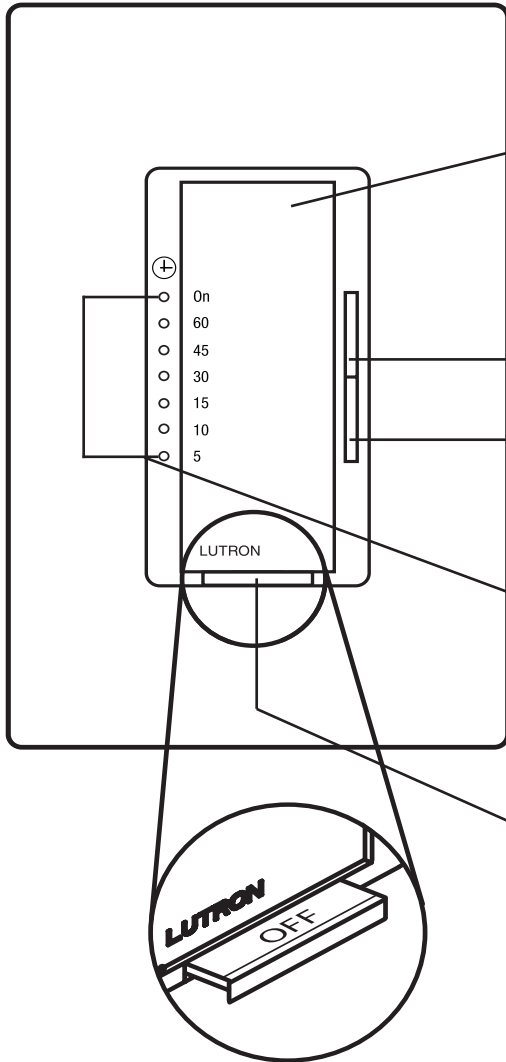


Load Type	Minimum Load	A Not Ganged	B End of Gang	C Middle of Gang	Neutral Connection
LED/CFL	N/A	1.25 A/ 150 W	1.25 A/ 150 W	1.25 A/ 150 W	Required ¹
Incandescent/Halogen	N/A	600 W	500 W	400 W	
Magnetic Low-Voltage	N/A	600 VA/450 W	500 VA/400 W	400 VA/300 W	
Electronic Low-Voltage	N/A	600 W	500 W	400 W	
Fluorescent	N/A	5 A	4 A	3 A	
General Purpose Fan	N/A	3 A	3 A	3 A	

¹ Neutral is required for all load types.

Job Name:	Model Numbers:
Job Number:	

Operation



Tap Button Options

- **Tap once when unit is off** - Controlled load turns ON and countdown timer begins. When time expires, the load turns off.
- **Tap once when unit is on** - Controlled load turns OFF and countdown timer resets.
- **Tap twice quickly** - Controlled load turns on without a time limit.

Raise/Lower Rocker

- Press to increase time.
- **Raise/Lower Rocker**
- Press to reduce time.

LEDs

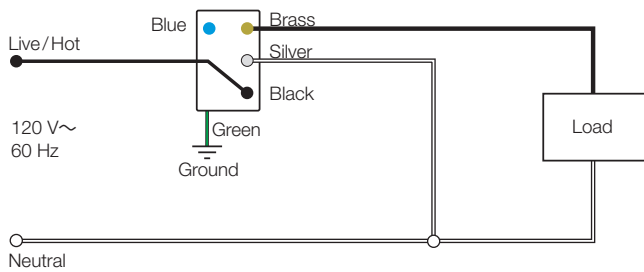
- Orange LEDs indicate Countdown Timer duration or remaining time in minutes.
- Top green LED labeled ON has no time limit.
- Bottom LED blinks rapidly to indicate 1 minute of time remaining (LEDs not available on the Accessory Switch).

FASS (Front Accessible Service Switch)

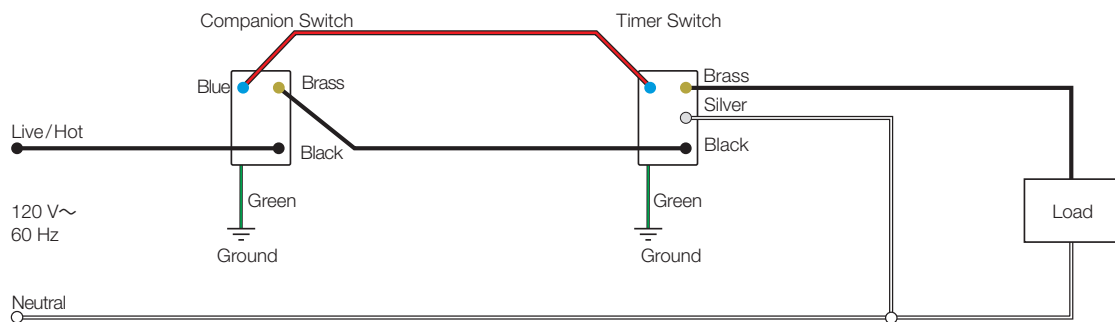
Job Name:	Model Numbers:
Job Number:	

Wiring Diagrams

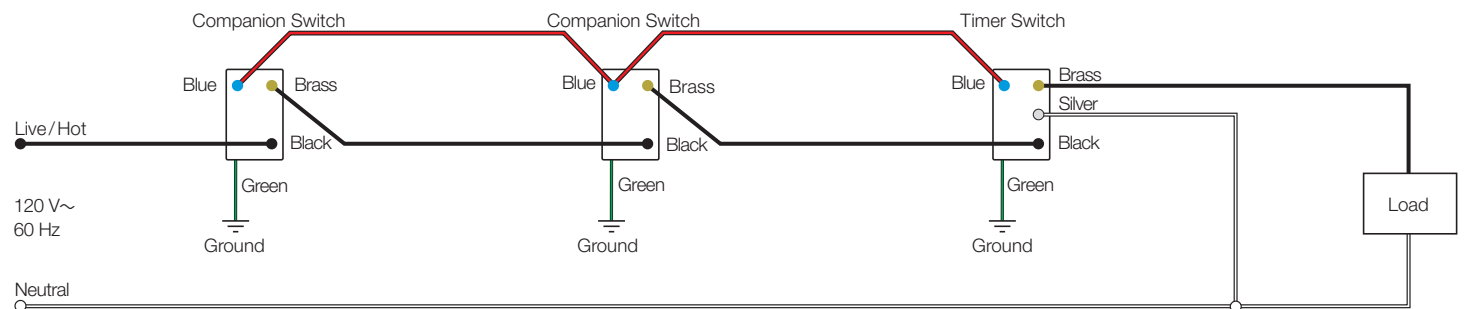
Single-Pole Wiring



2-Location Wiring



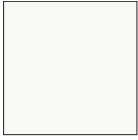
3-Location Wiring



Job Name:	Model Numbers:
Job Number:	

Colors and Finishes

Gloss Finishes



White
WH



Ivory
IV

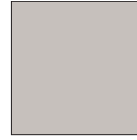
Satin Finishes



Snow
SW



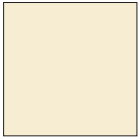
Midnight
MN



Taupe
TP



Biscuit
BI



Almond
AL



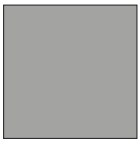
Light Almond
LA



Hot
HT



Palladium
PD



Gray
GR



Brown
BR

For the latest color offerings please see our website:
www.lutron.com/timer



Black
BL

The Lutron logo, Lutron, Maestro, and FASS are trademarks or registered trademarks of Lutron Electronics Co., Inc. in the US and/or other countries. All other product names, logos, and brands are property of their respective owners.

<p>Job Name:</p> <p>Job Number:</p>	<p>Model Numbers:</p>
--	------------------------------