

# Clear Cold Shrink Silicone Rubber

## TYPE CCSC Clear Cold Shrink

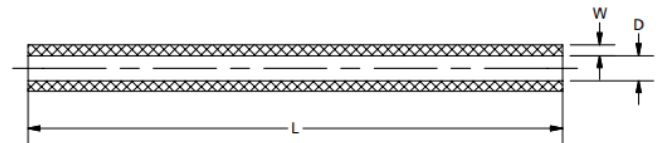
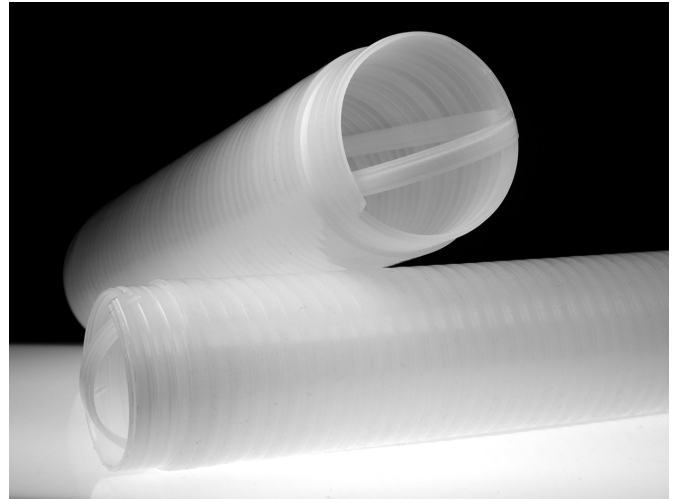
### Material: Silicone Rubber

Clear Cold Shrink tubing provides a clear way to inspect connections after installation. The clear cold shrink tubing allows inspectors to verify die index embossments on compression connections. No installation tools required. Installs quickly and easily. Operating temperature range: -40°C to 105°C.



### Features & Benefits

- Length of tube is consistent before and after application
- Clear shrink tube for inspection purposes
  - Verify BURNDY die embossment
  - Verify correct number of crimps
  - Verify location of crimps
  - Verify proper strip length with no wire exposed
- Rip and Grip! Does not require heat gun or any installation tools
- Passes TELCORDIA GR-347-CORE Abrasion and Cut Test up to 750 kmil
- cULus insulating cover for wire connectors tested in accordance to UL 486A/B
- Passes UL 746C Glow Wire Test
- Ripcord is recyclable



AFTER SHRUNK

Clear Cold Shrink Catalog Number	ID Before Shrink	Jacket O.D. Range	W	D	Cold Shrink Tube Length
CCSC110600	1.10	0.39" - 0.80"	.12	.28	5.91
CCSC110800	1.10	0.39" - 0.80"	.12	.28	7.99
CCSC146600	1.46	0.70" - 1.05"	.10	.63	5.91
CCSC146900	1.46	0.70" - 1.05"	.10	.63	9.02
CCSC200600	2.09	0.90" - 1.28"	.12	.75	5.91
CCSC200900	2.09	0.90" - 1.28"	.12	.75	9.02
CCSC2001200	2.09	0.90" - 1.28"	.12	.75	12.01
CCSC256600	2.56	1.22" - 2.01"	.12	1.10	5.91
CCSC256900	2.56	1.22" - 2.01"	.12	1.10	9.02
CCSC2561200	2.56	1.22" - 2.01"	.12	1.10	12.01



Inspectability to verify correct tool/  
die combination

## Black Cold Shrink Material: Silicone Rubber

### TYPE BCSC Black Cold Shrink

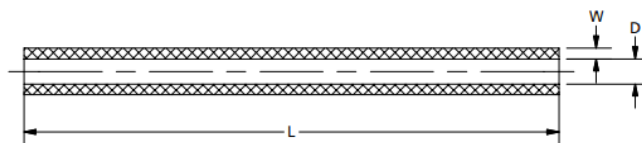
#### Material: Silicone Rubber

Cold applied shrink products are made of specially formulated silicone rubber and offer excellent insulation and moisture sealing for in-line cable connector systems. The rubber sleeves are factory expanded over a removeable, plastic rip cord housing. Installs quickly and easily. Operating temperature range: -40°C to 105°C



#### Features & Benefits

- Length of tube is consistent before and after application
- Easy safe installation
- Suitable for a wide range of cable sizes
- UV resistance, thermal stability
- No special tools or training required
- Forms a moisture proof seal
- Superior, time-saving insulation technology
- Indoor and Outdoor applications
- Rip and Grip does not require heat gun or any installation tools
- Passes TELCORDIA GR-347-CORE Abrasion and Cut Test up to 750 kcmil
- cULus insulating cover for wire connectors tested in accordance to UL 486/B
- Passes UL 746C Glow Wire test
- Ripcord is recyclable



AFTER SHRUNK

Catalog Number	ID Before Shrink	Jacket O.D. Range	W	D	Cold Shrink Tube Length
BCSC110600	1.10	0.39" - 0.80"	.12	.28	5.91
BCSC110800	1.10	0.39" - 0.80"	.12	.28	7.99
BCSC146600	1.46	0.70" - 1.05"	.10	.63	5.91
BCSC146900	1.46	0.70" - 1.05"	.10	.63	9.02
BCSC200600	2.09	0.90" - 1.28"	.12	.75	5.91
BCSC200900	2.09	0.90" - 1.28"	.12	.75	9.02
BCSC2001200	2.09	0.90" - 1.28"	.12	.75	12.01
BCSC256600	2.56	1.22" - 2.01"	.12	1.10	5.91
BCSC256900	2.56	1.22" - 2.01"	.12	1.10	9.02
BCSC2561200	2.56	1.22" - 2.01"	.12	1.10	12.01

## Cold Seal Splice Kits Types CSB (for Low-Voltage), CSJ (with mastic)

### TYPES CSB, CSJ

#### Cold Seal Splice Kits

These cold applied splice sealing products are made of specially formulated silicone rubber and offer excellent insulation and moisture proof sealing for in-line cable connector systems or elbow to cable jacket applications. The rubber sleeves are factory expanded and held over a removable, plastic rip core housing. Installs quickly and easily. Type CSJ also includes a mastic seal. Operating temperature range: -40°C to 105°C. Meets ANSI C119.1-1986.



#### Features & Benefits

- Easy, safe installation
- Suitable for a wide range of cable sizes
- UV resistance, thermal stability
- No special tools or training required
- Forms a moisture proof seal
- Superior, time-saving insulation technology
- Indoor and outdoor applications

#### In-Line Splice Sealing Kits Type CSB - Low Voltage conductor only

Catalog Number	Conductor Range	Application Range (min-max diameter)	Supplied Tube Length	Relaxed Tube Length
CSB037800SR1	#2 - 1/0	0.37" - 0.84"	6.50"	8.00"
CSB051900SR1	2/0 - 400	0.51" - 1.18"	7.50"	9.00"
CSB097900SR1	500 - 800	0.97" - 1.95"	7.50"	9.00"
CSB0971200SR1	500 - 800	0.97" - 1.95"	10.50"	12.00"
CSB125900SR1	900 - 1000	1.25" - 2.65"	7.50"	9.00"
CSB163900SR1	1250 - 2000	1.63" - 3.67"	7.50"	9.00"

#### Cable Jacket Sealing Kits Type CSJ (includes mastic seal)

Catalog Number	Application Range (min-max diameter)	Supplied Tube Length	Relaxed Tube Length
CSJB097600SR1	0.97" - 1.95"	4.50"	6.00"
CSJB125800SR1	1.25" - 2.65"	6.50"	8.00"
CSJB163900SR1	1.63" - 3.67"	7.50"	9.00"

## Black Cold Shrink Material: EPDM Rubber

### TYPE BCSE Black Cold Shrink

#### Material: EPDM Rubber

Cold applied shrink products are made of specially formulated EPDM rubber and offer excellent insulation and moisture sealing for in-line cable connector systems. The rubber sleeves are factory expanded over a removeable, plastic rip cord housing. Installs quickly and easily. Operating temperature range: -55°C to 105°C. Meets ANSI C119.1-1986.



#### Features & Benefits

- Length of tube is consistent before and after application
- Easy safe installation
- Suitable for a wide range of cable sizes
- UV resistance, thermal stability
- No special tools or training required
- Forms a moisture proof seal
- Superior, time-saving insulation technology
- Indoor and Outdoor applications
- Rip and Grip does not require heat gun or any installation tools
- Ripcord is recyclable

Catalog Number	ID Before Shrink	Wall Thickness	Conductor Size AWG/kcmil	Max. Connector Length	Product Dia. Range	Relaxed Tube Length
BCSE080600	0.79"	0.08	#6-#4 AWG	2.0"	0.31" - 0.56"	6.0"
BCSE100800	0.98"		#2-1/0 AWG	3.0"	0.40" - 0.82"	8.0"
BCSE138900	1.38"		2/0 AWG-250 kcmil	5.0"	0.55" - 1.18"	9.0"
BCSE1381100	1.38"		2/0 AWG-250 kcmil	7.0"	0.55" - 1.18"	11.0"
BCSE157600	1.57"		250-400 kcmil	2.0"	0.67" - 1.38"	6.0"
BCSE1571200	1.57"		250-400 kcmil	8.0"	0.67" - 1.38"	12.0"
BCSE171800	1.57"		250-400 kcmil	12.0"	0.67" - 1.38"	18.0"
BCSE209600	2.09"		450-800 kcmil	2.0"	0.95" - 1.94"	6.0"
BCSE2091200	2.09"		450-800 kcmil	8.0"	0.95" - 1.94"	12.0"
BCSE2091800	2.09"		450-800 kcmil	14.0"	0.95 - 1.94"	18.0"
BCSE276600	2.76"		900-1000 kcmil	2.0"	1.27" - 2.67"	6.0"
BCSE276900	2.76"		900-1000 kcmil	5.0"	1.27" - 2.67"	9.0"
BCSE2761200	2.76"		900-1000 kcmil	8.0"	1.27" - 2.67"	12.0"
BCSE2761800	2.76"		900-1000 kcmil	14.0"	1.27" - 2.67"	18.0"
BCSE409900	4.09"		1250-2000 kcmil	5.0"	1.68" - 3.69"	9.0"
BCSE4091800	4.09"		1250-2000 kcmil	14.0"	1.68" - 3.69"	18.0"

## Cold Shrink End Caps Type CSEC (Low-Voltage Conductor)

### Type CSEC

#### Cold Shrink End Caps

These cold applied end cap sealing products are made of specially formulated EPDM Rubber (Ethylene Propylene Diene Monomer) providing excellent moisture, acids, alkalis and weather resistance. End Caps provide a constant pressure on the conductor to contract and expand as needed along with the cable. The rubber end caps are factory expanded and applied over a removable plastic rip core housing. Installs quickly and easily with no tools needed. Operating temperature range: -40°C to 105°C.



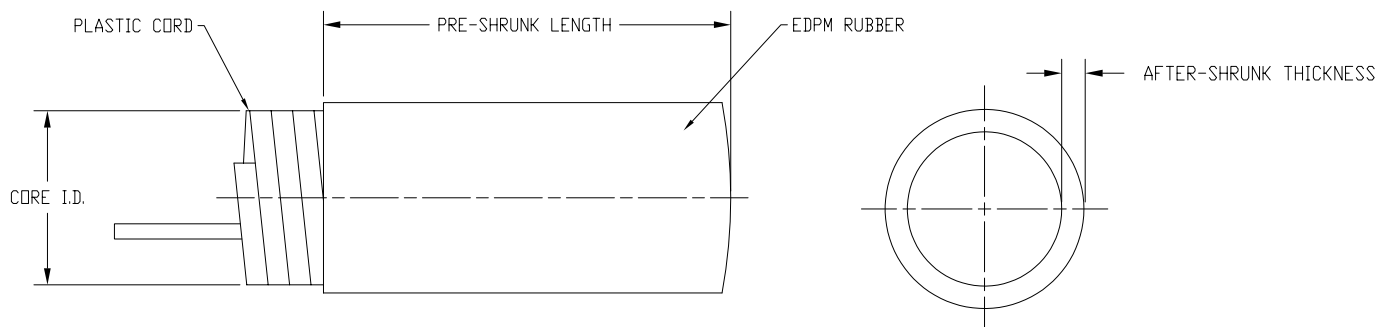
#### Features & Benefits

- Easy, safe installation
- Resists abrasive conditions
- Suitable for a wide range of cable sizes
- UV Resistance, thermal stability
- No special tools or training required
- Water resistant
- No heat or torches required
- Superior, time-saving insulation technology
- Resists acids and alkalis
- Indoor and Outdoor applications
- No training required for installation
- Easily removed with a utility knife

#### Cold shrink end caps type CSEC

Catalog Number	Cord ID	Application Range (min-max diameter)	Pre-Shrunk Length	After-Shrunk Thickness	UOM	Qty Per Bag
CSEC1	0.98"	0.46" [11.6] - 0.82" [20.9]	2.08" [52.8]	.098"	EA	6
CSEC2	1.38"	0.63" [15.9] - 1.18" [30.1]	2.50" [63.5]	.118"	EA	6
CSEC3	2.17"	1.02" [26.0] - 1.94" [49.2]	2.25" [57.2]	.138"	EA	3
CSEC4	3.54"	1.79" [45.5] - 3.32" [84.3]	2.50" [63.5]	.138"	EA	3

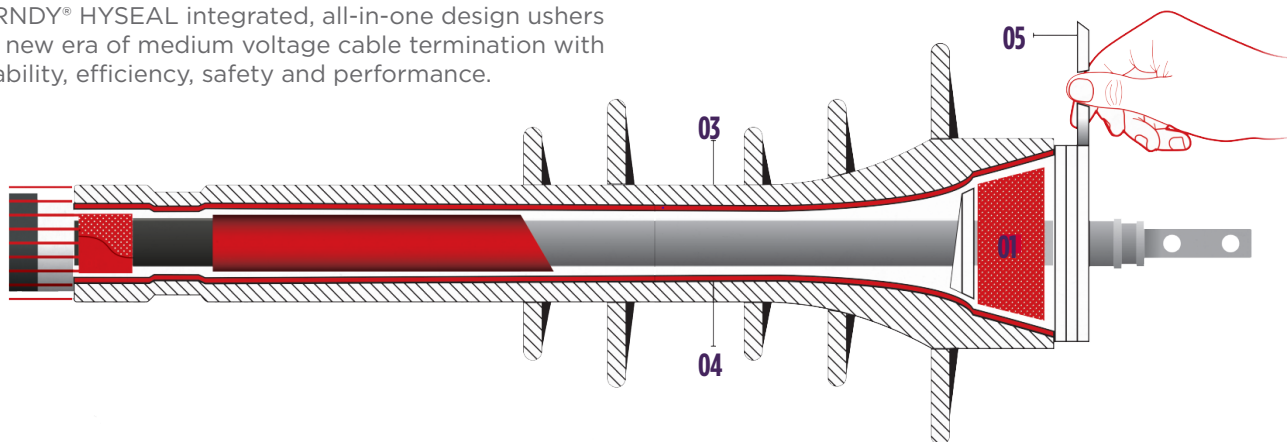
\*Products must be ordered in multiples of package qty.



## Overview Cold Shrink Termination

### Simplifying Performance with Serious Engineering

BURNDY® HYSEAL integrated, all-in-one design ushers in a new era of medium voltage cable termination with reliability, efficiency, safety and performance.



#### Built-in Endseal Mastic (01)

Installed at both ends of the termination, high-performance mastic is applied at the top and bottom of the installation to help streamline installation and operation.

#### HYZINC Stress-Grading Mastic (02)

Greater surface coverage of our proprietary Zinc-Oxide (ZnO) formulation fills voids between the rubber body and cable substrate to deliver exceptional discharge and impulse performance. This helps mitigate issues surrounding poor cable prep - the most common cause of cable failures.

#### Durable Silicone Rubber Body (03)

The BURNDY® HYSEAL body is tough enough for any industrial or utility environment. Engineered to be both UV-resistant and hydrophobic, the body helps prevent moisture and airborne contaminant accumulation to maintain surface resistivity and resist current leakage.

#### Silicone Cold Shrink Jacket (04)

Protecting the system for indoor or outdoor work, the HYSEAL silicone cold shrink jacket means reliable system installation without the skilled manpower demands or risk that comes with applied heat - not to mention the hot-work permits.

#### Single Spiral Ripcord (05)

Anyone can install the HYSEAL Medium Voltage Cable Termination. One reason? The system features an enhanced spiral ripcord design using smooth edges that make unwinding during the installation much easier on all types of cable. The ripcord pulls in seconds, securing the unit for solid, stable installation no matter what the operating environment.

### HYZINC: The Key to Superior Stress Management

HYSEAL is the only medium voltage cable termination that uses HYZINC - a proprietary Zinc-Oxide (ZnO) silicone technology that controls electrical stress more efficiently and delivers smoother potential distribution. HYZINC is a stress-grading mastic that is applied at the semi-conductive cut-back area (in direct contact with the semi-conductive shield). Its non-linear, resistive-field grading design is based on ZnO microvaristors that can be “tuned” to a certain switching voltage. It’s made by mixing ZnO particles with an inert carrier to make a “flowable” material with the ZnO electrical properties. The result? Potential distribution that’s more linear for better overall system performance.

# MV Cold Shrink Termination Kits Industrial Series; Indoor / Outdoor

## TYPE CSGO

### Medium Voltage Cold Shrink Termination Kits Indoor/Outdoor Industrial Series Applications up to 35kV

#### Material: Silicone Rubber

To be used with Single Shielded Conductor, XLPE and EPR copper tape, drain wire shield, single shield or lead sheathed power cables for the Electrical/Industrial/Construction market.

Burndy CSGO Kit Series contains (3) one-piece, Skirted (Indoor/Outdoor) silicone rubber terminations that meet IEEE Standard 48 Class 1 for indoor and weather-protected applications. These kits are designed for terminating solid dielectric shielded power cables rated 5-35 kV.

Cold shrink cable terminations provide a quick, easy, safe and cost effective installation. No installation tools required, spiral rip cord design unwinds easily and enables quick removal of the hold-out core. Type CSGO series suitable for Indoor/Outdoor Industrial applications. Conforms to IEEE-48-1996, Class 1 and ISO/IEC 17025 Standards. Test reports available upon request.

Each kit contains sufficient quantities of material to make three terminations.



**CSGO Series**

*Shown with BURNDY terminal lug*

#### Features & Benefits

- Quick, consistent and easy to install
- Incorporates sealants at bottom and top of termination, saving time and effort during installation
- Unique stress control system based on microvaristor (ZnO) technology that delivers exceptional discharge and impulse performance
- More craft friendly and greater installation efficiency for easier training of field crew
- Two less steps on Shielded cable and three less steps on JCN cable versus leading competitor lowering total installed cost
- Length of tube is consistent before and after application
- Spiral rip cord design provides for easy installation with effortless unwinding providing for fast removal of the hold-out core; Rip cord is recyclable
- Insulation Level: 100%,133%
- Variations available such as kit supplied with terminal or pin connector; customer would crimp onto conductor during installation (terminal/pin connector do require proper installation tooling)

#### Kit Contents:

- (3) Silicon Rubber Terminations
- (3) Ground Straps
- (3) Copper Foil Tape
- (3) Constant Force Springs
- (1) Roll of PVC Tape
- (3) Mastic Strips
- (3) Cable Prep Kits
- (1) Instruction Manual

Outdoor (Skirted) Catalog Number	Rip Cord I.D.	Length (preshrink)	Cable Insulation Outside Diameter Range	Insul. Dia. (preshrink)	5-8kV Wire Range	15kV Wire Range	25-28kV Wire Range	35kV Wire Range
<b>CSGO15210</b>	1.62	9.09	0.57 - 0.90	1.10	1/0 - 4/0 AWG	#2 - 1/0 AWG	—	—
<b>CSGO2528140</b>	2.04	12.60	0.71 - 1.26	1.50	4/0 - 500 kcmil	1/0 - 250 kcmil	#2 - 4/0 AWG	—
<b>CSGO252810250</b>	2.17	14.17	0.83 - 1.34	1.65	350 - 750 kcmil	4/0 - 500 kcmil	1/0 - 250 kcmil	—
<b>CSGO3550015</b>	3.59	20.87	1.04 - 1.63	1.97	750 - 1000 kcmil	350 - 750 kcmil	250 - 500 kcmil	1/0 - 350 kcmil
<b>CSGO355001500</b>	3.59	20.87	1.34 - 2.32	2.83	1000 - 2000 kcmil	750 - 2000 kcmil	500 - 1500 kcmil	350 - 1500 kcmil

## MV Cold Shrink Termination Kits Renewable Series

### TYPE CSUDO-J

#### Medium Voltage Cold Shrink Termination Kits Renewable Series - Jacketed Concentric Neutral Sleeve Only Applications up to 35kV

##### Material: Silicone Rubber

To be used with single core XLPE and EPR concentric neutral underground distribution cables commonly found in the renewables and utility markets.

Type CSUDO-J (for indoor/outdoor jacketed applications) Series of Jacketed Concentric Neutral Termination Kits.

Termination kits feature a geometric stress cone for exceptional performance. Kit includes cold shrink termination, center endseal termination, and installation guide. Conforms to IEEE-48-2009, Class 1 and ISO/IEC 17025 Standards. Test reports available upon request.

##### Kit Contents:

- (1) Silicone Rubber Termination
- (1) Red Sealant Mastic
- (1) Roll of PVC Tape
- (1) Cable Prep Kit
- (1) Instruction Manual
- (1) Cutback Template



##### Features & Benefits

- All-in-one integrated body incorporating stress control and sealant mastics
- Unique stress control system based on microvaristor (ZnO) technology that delivers exceptional discharge and impulse performance
- Quick and easy installation. Offering fewest number of steps to install
- Improved spiral rip core assembly uses smooth edges for simpler installation with less effort. Heat tacked spiral core prevents unravelling during shipping and handling
- Excellent UV Resistance and hydrophobic characteristics
- Silicone rubber body provides excellent track and erosion resistance

(Jacketed) Outdoor (Skirted) Catalog Number	Rip Cord I.D.	Length (preshrink)	Cable Insula- tion Outside Diameter Range	Insul. Dia. (preshrink)	5-8kV Wire Range	15kV Wire Range	25-28kV Wire Range	35kV Wire Range
<b>CSUDO15210J</b>	1.62	9.25	0.57 - 0.90	1.10	#2 - 4/0 AWG	#2 - 1/0 AWG	—	—
<b>CSUDO2528140J</b>	2.04	12.60	0.71 - 1.26	1.50	4/0 - 500 kcmil	1/0 - 250 kcmil	#1 - 4/0 AWG	—
<b>CSUDO252810250J</b>	2.17	14.17	0.83 - 1.34	1.65	350 - 750 kcmil	4/0 - 500 kcmil	1/0 - 250 kcmil	—
<b>CSUDO3510350J</b>	3.53	20.87	1.04 - 1.63	1.97	750 - 1000 kcmil	350 - 750 kcmil	250 - 500 kcmil	1/0 - 350 kcmil
<b>CSUDO355001500J</b>	3.53	20.87	1.34-2.32	2.87	1000 - 2000 kcmil	750 - 2000 kcmil	500 - 1500 kcmil	500 - 1500 kcmil



# MV Cold Shrink Termination Kits 3 Conductor Conversion Series

## TYPE CS3CO-B

### Cold Shrink Medium Voltage Termination Kits 3 Conductor Conversion Series - Indoor/Outdoor Sleeves with Boot

#### Applications up to 35kV Applications

#### Material: Silicone Rubber

To be used with BURNDY® Single Conductor Terminations on Three-Conductor Cables, for 35kV applications. (Terminations sold separately.)

The Type CS3CO-B Series of 3 Conductor Conversion Kits with Breakout Boot are designed to be used with single conductor, Indoor and Outdoor Cable Accessories on three-conductor (3/C) cables. The Breakout Kit is easy and quick to install, even in confined spaces - with no special tools, torch/flame or hot permits required. The BURNDY® Type CS3CO-B series with breakout boot conforms to IEEE-48-2009, Class 1 and ISO/IEC 17025 Standards. Test reports available upon request. Please order one kit per three conductor cable application.

#### Kit Contents:

- (1) Cold Shrink Silicon Rubber Breakout Boot
- (4) Strips of Mastic Tape
- (3) Silicone Rubber Re-jacketing Sleeves
- (1) Long Tail Tinned Copper Ground Braid with Solder Block (for Armored Cable Only)
- (1) Large Constant Force Spring
- (1) Roll Black Electrical Tape
- (1) Roll Electrical Shielding (Mesh) Tape
- (1) Cable Tie
- (1) Cable Prep Kit
- (1) Instruction Manual



\* Shown with Termination Kit

#### Features & Benefits

- Grip and Rip! Does not require heat gun or any installation tools
- Spiral rip cord design provides for easy installation with effortless unwinding providing for fast removal of the hold-out core; Rip cord is recyclable
- All kits supplied with cold shrinkable tube (unprinted), 3-leg boot, seal, cable tie, and installation guide
- Quick, easy, cost effective installation utilizing one-piece terminator design

Outdoor Breakout Kit Catalog Number	3C Truck Cable OD Max	Insulation Shield Dia. Range	5-8kV Wire Range	15kV Wire Range	25-28kV Wire Range	35kV Wire Range
CS3CO58220B	2.58"	0.61" - 0.96"	#2 - 250 kcmil	#2 - 1 AWG	—	—
CS3CO5820350B	2.58"	0.72" - 1.10"	#1 - 350 kcmil	#2 - 3/0 AWG	—	—
CS3CO2528140B	3.50"	0.80" - 1.27"	2/0 - 500 kcmil	2/0 - 250 kcmil	#1 - 2/0 AWG	—
CS3CO2528250500B	4.30"	1.10" - 1.52"	350 - 750 kcmil	250 - 500 kcmil	#1 - 350 kcmil	1/0 - 3/0 AWG
CS3CO2835250500B	4.42"	1.33" - 1.75"	500 - 1000 kcmil	500 - 750 kcmil	4/0 - 500 kcmil	1/0 - 350 kcmil

\*The wire ranges for this table are based on 100% insulation level and are to be used as a guide. Please use Insulation Shield Dia. Range data and match up with specific Cable Manufacturer's specifications to ensure accessory is sized properly as wire ranges may be different based on Cable Manufacturer's specifications.

## MV Cold Shrink Termination Kits 3 Conductor Conversion Series

### TYPE CS3CI-J Medium Voltage Cold Shrink Termination Kits 3 Conductor Conversion Series - Indoor Sleeves without Boot Applications up to 35kV Applications

Material: Silicone Rubber

Designed to be used with BURNDY® Single Conductor Terminations on Three-Conductor Cables, for 5-35kV applications. (Terminations sold separately.)

The Type CS3CI-J Series of 3 Conductor Conversion Kits with Indoor Sleeves without Boot Conductor. Conversion kits includes cold shrinkable tube (unprinted), seal, cable tie, and installation guide. Conforms to IEEE-48-2009, Class 1 and ISO/IEC 17025 Standards. Test reports available upon request.



\* Shown with Termination Kit

#### Kit Contents:

- (4) Strips of Mastic Tape
- (3) Silicone Rubber Re-jacketing Sleeves
- (1) Long Tail Tinned Copper Ground Braid with Solder Block (for Armored Cable Only)
- (1) Constant Force Spring
- (1) Roll Black Electrical Tape
- (1) Roll Electrical Shielding (Mesh) Tape
- (1) Cable Tie
- (1) Cable Prep Kit
- (1) Instruction Manual

#### Features & Benefits

- Grip and Rip! Does not require heat gun or any installation tools
- Spiral rip cord design provides for easy installation with effortless unwinding providing for fast removal of the hold-out core; Rip cord is recyclable
- All kits supplied with cold shrinkable tube (unprinted), seal, cable tie, and installation guide
- Quick, easy, cost effective installation utilizing one-piece terminator design

Indoor Catalog Number	Insulation Shield Dia. Range	5-8kV Wire Range	15kV Wire Range	25-28kV Wire Range	35kV Wire Range
CS3CI58220J	0.61" - 0.96"	#2 - 250 kcmil	#2 - 1 AWG	—	—
CS3CI5820350J	0.72" - 1.10"	#1 - 350 kcmil	#2 - 3/0 AWG	—	—
CS3CI2528140J	0.80" - 1.27"	2/0 - 500 kcmil	2/0 - 250 kcmil	#1 - 2/0 AWG	—
CS3CI2528250500J	1.10" - 1.52"	350 - 750 kcmil	250 - 500 kcmil	#1 - 350 kcmil	1/0 - 3/0 AWG
CS3CI2835250500J	1.33" - 1.75"	500 - 1000 kcmil	500 - 750 kcmil	4/0 - 500 kcmil	1/0 - 350 kcmil

\*The wire ranges for this table are based on 100% insulation level and are to be used as a guide. Please use Insulation Shield Dia. Range data and match up with specific Cable Manufacturer's specifications to ensure accessory is sized properly as wire ranges may be different based on Cable Manufacturer's specifications.

## Medium Voltage Cold Shrink Termination Kits Accessories

### TYPE BCFS

#### Constant Force Springs for securing solder-sealed ground braids in termination and splice kits

The Type BCFS Constant Force Springs are for use in grounding and earthing applications and suitable for use on lead and aluminum cable sheaths, steel or aluminum armor cables. Easy application by rolling onto core or outside diameter creating radial pressure.



Catalog Number	I.D.	Width	Length
SPRING-CFS0405 .47"	.47"	.50"	18"
SPRING-CFS0605 .56"	.52"	.50"	24"
SPRING CFS1005-1.03"	1.03"	.50"	30"

### TYPE BMESH

#### Tinned Copper Shielding Mesh

The Type BMESH Tinned Copper Shielding Mesh provides continuity of shielded power cables in termination kits.

Catalog Number	Width	Length
BMESH2015	2.25"	15'



### TYPE BRAID-GA

#### Solder Blocked Braid

The Type BRAID-GA for ground or earth cable terminations provide a continuous ground for power cable shielding termination kits. Ideal for grounding shielded cable and accessories. Made of tin plated copper, compatible with common solvents, adhesives and cable oils.



Catalog Number	Conductor Equiv.	Width	Length
BRAID GA 8 SLDR BLOCKED 16"	#8	.50"	16"
BRAID GA 6 SLDR BLOCKED 16"	#6	.75"	16"
BRAID GA 4 SLDR BLOCKED 16"	#4	1"	16"

## Medium Voltage Cold Shrink Termination Kits Accessories

### TYPE 290-SEALANTS

The Type 290-SEALANTS offer excellent adhesion and sealing characteristics to metals, rubbers, synthetic cable insulations and jackets. Type 290-SEALANTS also provide UV resistance and are designed for outdoor conditions and sealing out moisture.

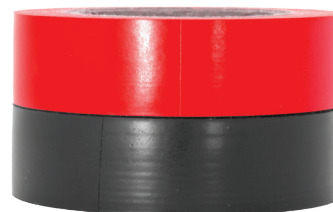


Catalog Number	Size	Width	Length
290-SEALANTS13	0, 1, 2	20mm	155mm
290-SEALANTS14	3, 4	20mm	200mm
290-SEALANTS15	5	20mm	241mm
290-SEALANTS23	0, 1, 2	25mm	5" / 120mm
290-SEALANTS24	3, 4	25mm	6" / 150mm
290-SEALANTS25	5	25mm	210mm

### TYPE CS-TAPE

CS34BLKTAPE is a premium grade, 8.5 mil, all-weather vinyl tape used for insulating electrical terminations or splices on high voltage repairs or cable harnesses. CS34BLKTAPE is lead free and flame retardant. Manufactured with a polymeric backing construction as well as a specialized method of bonding the adhesive to the vinyl backing, creating a highly conformable tape that delivers a moisture-tight seal in temperatures ranging from 0° F to 220° F.

CS34REDTAPE is professional grade, 7.0 mil, all-weather vinyl tape used for color-coding and phase identification in electrical applications in temperatures ranging from 0° F to 220° F. CS34REDTAP colored electrical tape is lead free and flame retardant. Manufactured with a polymeric backing construction as well as a specialized method of bonding the adhesive to the vinyl backing, creating a highly conformable tape that delivers a moisture-tight seal, even in extreme temperatures.



Catalog Number	Width	Length
CS34BLKTAPE	3/4"	60'
CS34REDTAPE	3/4"	60'

## Medium Voltage Cold Shrink Termination Kits Accessories

### TYPE BCPK

#### Multi-purpose solvent wipes; Abrasive paper

Type BCPK kit includes Solvent and Dry Wipes, and Abrasive Paper for the cleaning and preparation of electrical wires, terminations, and equipment. Available as single of each item or package with 3 of each.

Catalog Number	Qty of each	Contents
BCPK0306	3	Solvent Wipes Dry Wipes
BCPK0102	1	Strips of Abrasive Paper



### TYPE BCFGK

#### Kit with Constant Force Spring, Copper Foil Tape, and 36" long Tinned Copper Braid

The Type BCFGK kit for grounding or earthing cables in the Medium Voltage Termination kits. Includes: Braid to be applied directly to the conductor, constant force spring to apply pressure to the ground braid and conductor, and copper foil to be applied to copper tape shield.

Catalog Number	Qty of each	Contents
BCFGK1X36	1	Constant Force Spring, Copper Foil Tape, #8 Tinned Copper Braid 36"
BCFGK2X36	1	Constant Force Spring, Copper Foil Tape, #6 Tinned Copper Braid 36"
BCFGK3X36	1	Constant Force Spring, Copper Foil Tape, #4 Tinned Copper Braid 36"

