

INSTRUMENT TRANSFORMERS

VOG-15B

Outdoor voltage transformer



The VOG-15B is a robust voltage transformer for use in line-to-ground applications.

Product features

- 25 kV, outdoor
- 150 kV BIL, 60 Hertz
- Electrical clearances:
 - Strike: 21.6" (549 mm)
 - Creep: 50.2" (1277 mm)
- Minimum operating temperature: -50° C
- Approximate weight: 125 lbs. (57 kg)

Application

An optimal solution for line-to-ground metering applications, the VOG-15B offers superior performance in a compact design. Tapped and dual secondary windings are available upon request.

Industry leading performance

Enhanced creep distance and intelligent shed design minimize flashover potential and provide superior heat dissipation. Encapsulated in field-proven HCEP material (hydrophobic cycloaliphatic epoxy), the VOG-15B delivers unparalleled performance in outdoor applications, including heavily polluted and coastal environments.

Terminals

The electro-tin plated primary H1 bushing terminal accommodates #10 to 250 MCM conductors. The H2 neutral terminal is insulated to withstand a 19 kV test level and can be disconnected from the external ground cable for power factor measurement. Clamp-type secondary terminals accommodate #14 through #3 wire. Stud type terminals (0.750-16 x 1.125), ideal for use in primary metering cabinets and other applications, are available upon request.

Junction box

The junction box has a 1" conduit hub on either end and a knock out for a 1" conduit fitting on the bottom. The box is anchored to the body of the transformer with screws and can be easily detached, simplifying installation and change-out procedures.

Baseplate

The base is constructed of corrosion-resistant aluminum and is secured to the encapsulated base support.

Mounting

The VOG-15B can be mounted in upright or cantilever positions. Stress relief devices should be used to support cable connections where applicable.

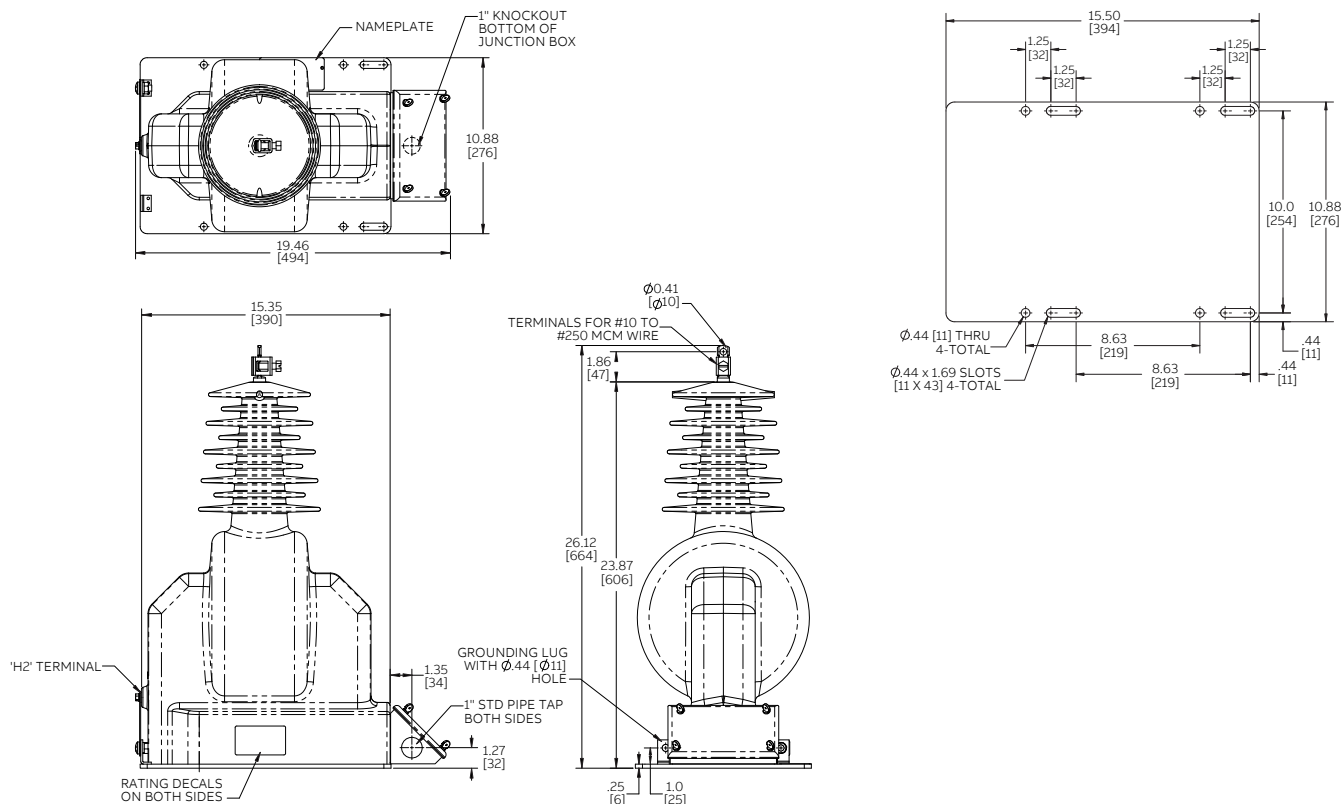
Test reports

Test reports are stored electronically and can be e-mailed in various formats at the time of shipment.

Standards

This unit meets or exceeds all requirements of IEEE C57.13-2016 and can be tested to other standards as requested.

Dimensions (inches [mm])



Selection guide

Primary voltage	Secondary voltage	Winding ratio	Metering accuracy	Thermal rating at 30° C	Rated voltage factor (RVF)*	Style number
12000/20780GY	120	100:1	0.3Y	1500	1.9	E-923A680G01
13200/22860GY	120	110:1	0.3Y	1500	1.9	E-923A680G02
14400/24940GY	120	120:1	0.3Y	1500	1.9	E-923A680G03

* RVF for 8 hours

Additional styles available upon request. Contact your ABB sales representative or call +1-252-827-3212 for more information.