

Catalog Number	
Notes	Type

WFCL3

Utility Washington Series Luminaire
Full Cutoff LED3



Mechanical

- Heavy grade A360 cast aluminum (<1% copper)
- Tool-less access with a spring-loaded latch
- Hidden hinge door allowing the door to swing open and remain open
- Optional internal or external NEMA twist lock photocontrol receptacle. Housing contains a tempered glass window to allow light to reach the cell for internal versions.
- Mount to slip-fitter that will accept 3" high by 2-7/8" to 3-1/8" O.D. pole tenon
- Decorative top cover contains stainless steel hinge which secures entry the LED optical chamber
- Polyester power coat paint to ensure maximum durability
- Rigorous multi-stage pre-treating and painting process yields a finish that achieves a scribe creepage rating of 8 (per ASTM D1654) after over 5,000 hours exposure to salt fog chamber (operated per ASTM B117) on standard and RAL finish options.
- RAL (RALxxxSDCR) paint colors are Super Durable Corrosion Resistant, 80% gloss.

Electrical

- Surge protection meets ANSI/IEEE C62.41.2 10kV/10kA.
- Standard SPD meets 20kV/10kA per ANSI C136.2-2015
- Quick disconnect connectors for ease of installation and maintenance.
- Three pole terminal block is standard, with optional prewired leads for ease of installation
- LED electronic 0-10v dimmable driver meets maximum total harmonic distortion (THD) of 20%, >0.90 Power Factor and is ROHS compliant.
- Minimum operating temperature is -40°C.
- Electronic driver has an estimated minimum life of 100,000 hours at 25°C.

Optical

- IP65 rated optical compartment
- LED circuit board located in the top cover
- Asymmetric or Symmetric zero uplight distributions
- 2700K, 3000K and 4000K CCT
- 70CRI Standard

Control Options

- Field Adjustable Output (AO) module - Onboard device that adjusts the light output and input wattage to meet site specific requirements. The AO module is preset at the factory to position number 8
- nLight Air rSBOR6 outdoor fixture-mounted motion and photo-sensor, features a dual radio to communicate wirelessly to other nLight Air devices for group response to motion, on/off control in response to daylight and by switch - rSBOR6
- Long life photocontrol, 20 years - PCLL, P34 and P48 with DTL

- 7 pin photocontrol receptacles internally (PR7) or externally (PR7E) mounted in place of the finial
- DTL DIN dedicated bracket with external mounted antenna -DINBRA

Manufacturing

- Manufactured in Crawfordsville, Indiana, ARRA compliant
- 100% electrical testing on all luminaires before shipment
- Ten (10) years minimum experience in manufacturing LED based products

Certification and Standards

- Luminaire shall be UL 1598 - Wet Location Safety Listing
- Suitable for operation in an ambient temperature -40°C (40°F) to 40°C (104°F) per UL certification for performance packages P05 thru P100 Type 2, 3 & 5 no glass, P05 thru P90 Type 2, 3, 4 & 5 clear glass and P05 thru P90 Type 3 & 5 frosted glass
- Suitable for operation in an ambient temperature -40°C (40°F) to 35°C (95°F) per UL certification for performance packages P100 Type 45 no glass, P100 Type 2, 3, 4 & 5 clear glass and P100 Type 3 & 5 frosted glass
- LM79 compliant
- DesignLights Consortium® (DLC) qualified product. Not all versions of this product may be DLC qualified. Please check the DLC Qualified Products List at www.designlights.org/QPL to confirm which versions are qualified.

Government Procurement

BAA – Buy America(n) Act: Product qualifies as a domestic end product under the Buy American Act as implemented in the FAR and DFARS. Product also qualifies as manufactured in the United States under DOT Buy America regulations.

BABA – Build America Buy America: Product qualifies as produced in the United States under the definitions of the Build America, Buy America Act.

Please refer to www.acuitybrands.com/resources/buy-american for additional information.

Warranty

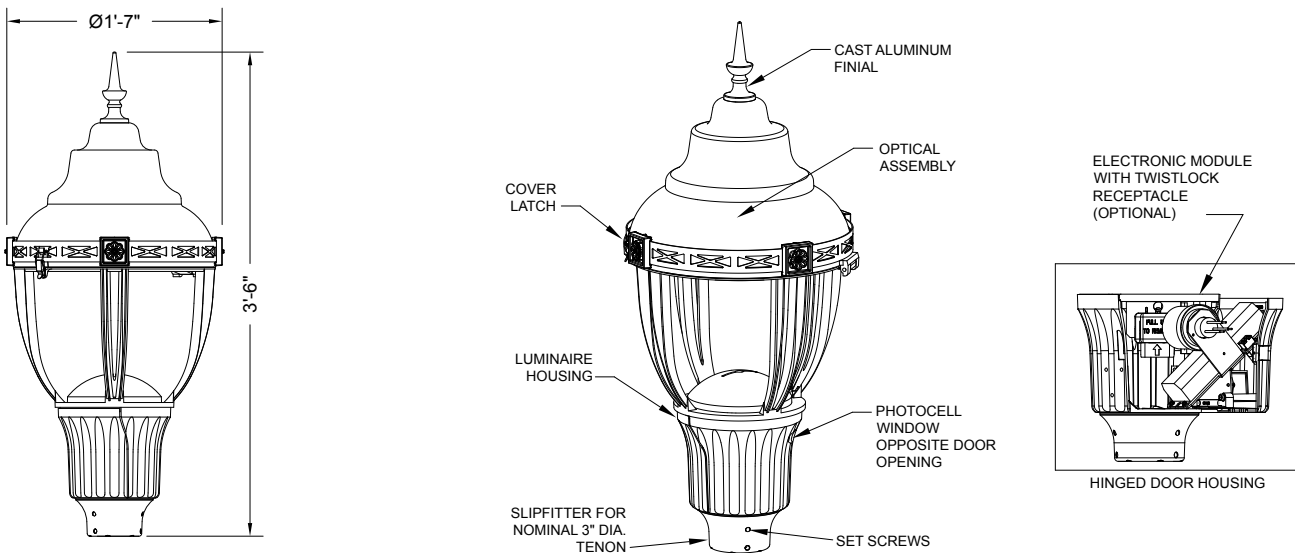
5-year limited warranty. This is the only warranty provided and no other statements in this specification sheet create any warranty of any kind. All other express and implied warranties are disclaimed. Complete warranty terms located at: www.acuitybrands.com/support/warranty/terms-and-conditions

Note: Actual performance may differ as a result of end-user environment and application.

All values are design or typical values, measured under laboratory conditions at 25 °C.

Specifications subject to change without notice.

DIMENSIONAL DATA



Maximum Weight - 53 lbs
Maximum Effective Projected Area - 1.72 sq. ft.

ORDERING INFORMATION (refer to page 3 for configurable options)

Example: WFCL3 P20 30K MVOLT FC3 BK NF PR7E

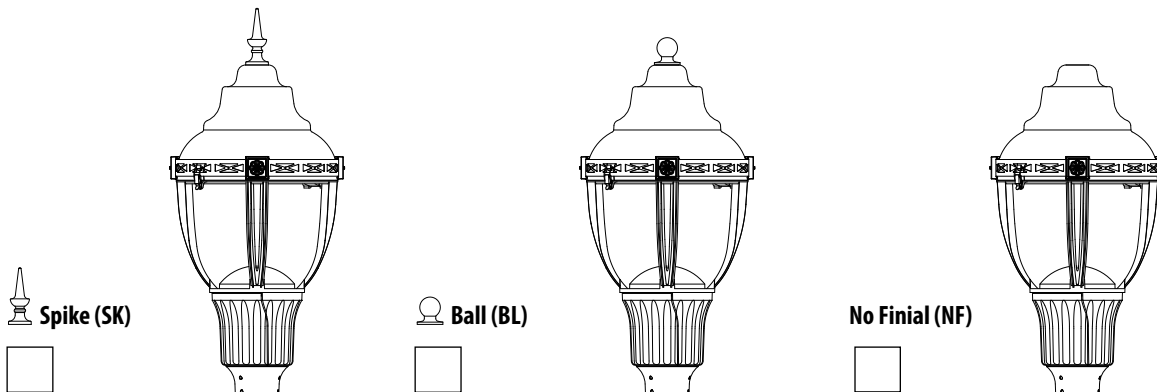
Series	LED performance package	LED Color temperature	Voltage	Optics	Housing Color	Finial
WFCL3 Utility Washington LED FCO	P05 3,200 nominal lumens	27K 2700K CCT	MVOLT Auto-sensing voltage (120 thru 277) 50/60 HZ	FC2 Type 2 distribution full cutoff	BK Black	NF None
	P10 4,500 nominal lumens	30K 3000K CCT			GR Gray	BL Ball
	P20 5,600 nominal lumens	40K 4000K CCT			GH Graphite	SK Spike
	P30 7,000 nominal lumens		HVOLT Auto-sensing voltage (347 thru 480) 50/60 HZ	FC3 Type 3 distribution full cutoff	GN Green	
	P40 8,100 nominal lumens				PP Prime paint	
	P50 9,200 nominal lumens				WH White	
	P60 10,200 nominal lumens		XVOLT Auto-sensing voltage (277 thru 480V) with enhanced power quality protection	FC4 Type 4 distribution full cutoff	BZ Bronze	
	P70 10,800 nominal lumens				RALxxxxSDCR RAL Super Durable Corrosion Resistant, 80% Gloss Paint, replace xxxx with RAL number.	
	P80 11,700 nominal lumens				CMC Custom color match	
	P90 12,700 nominal lumens			FC5 Type 5 distribution full cutoff		
P100 13,600 nominal lumens						

Options: Option Compatibility Matrix on page 3 of 4		
<p>CONTROLS OPTIONS</p> <p>A0 Field Adjustable Output</p> <p>DINBRA DTL DIN node bracket with external mounted antenna, DTL DIN node ordered and shipped separately</p> <p>PR7 NEMA twistlock dimming photocontrol receptacle - 7 pin</p> <p>PR7E NEMA twistlock dimming photocontrol receptacle - 7 Pin (Must use NF Finial Option)</p> <p>PCLL Long Life DTL Twistlock Photocontrol for Solid State, MVOLT</p> <p>P34 Long Life DTL Twistlock Photocontrol for Solid State, 347V</p> <p>P48 Long Life DTL Twistlock Photocontrol for Solid State, 480V</p> <p>SH Shorting Cap</p> <p>RSBOR6 nLight Motion Sensing Photocontrols</p>	<p>PREWIRED LEAD OPTIONS</p> <p>L1H 1.5 ft prewired leads</p> <p>L03 3 ft prewired leads</p> <p>L10 10 ft prewired leads</p> <p>L20 20 ft prewired leads</p> <p>L25 25 ft prewired leads</p> <p>L30 30 ft prewired leads</p>	<p>OPTIC OPTIONS</p> <p>CLGL Clear tempered glass lens</p> <p>FRGL 10% Frosted tempered glass lens</p> <p>HSS Louvered house side shield</p> <p>LEM REVEAL COLOR OPTIONS</p> <p>MHC LEM Reveal Plate Painted to match Housing Color</p> <p>NEMA LABEL OPTIONS</p> <p>NL1X1 1" X 1" ANSI Wattage Label</p> <p>NL2X2 2" X 2" ANSI Wattage Label</p>

Accessories: Order as separate catalog number.	
HOUSE SIDE SHIELD	
CLHSSNG25	No glass, Type 2 & Type 5 - Louvered house side shield
CLHSSNG34	No glass, Type 3 & Type 4 - Louvered house side shield
CLHSSGL25	Glass, Type 2 & Type 5 - Louvered house side shield
CLHSSGL34	Glass, Type 3 & Type 4 - Louvered house side shield

FINIAL INFORMATION

Mark Appropriate Box for Finial Options



PERFORMANCE DATA

STANDARD OPTIONS: NO GLASS

LED Package	Glass/Optic	System Watts	27K (27000K, 70CRI)					30K (3000K, 70CRI)					40K (4000K, 70CRI)				
			Lumens	LPW	B	U	G	Lumens	LPW	B	U	G	Lumens	LPW	B	U	G
P05	FC2	30	3,054	102	1	0	1	3,105	104	1	0	1	3,317	111	1	0	1
	FC3		3,111	104	1	0	1	3,163	105	1	0	1	3,379	113	1	0	1
	FC4		3,068	102	1	0	1	3,119	104	1	0	1	3,332	111	1	0	1
	FC5		3,334	111	2	0	1	3,389	113	2	0	1	3,621	121	3	0	1
P10	FC2	39	4,294	110	1	0	2	4,365	112	1	0	2	4,663	120	1	0	2
	FC3		4,374	112	1	0	1	4,447	114	1	0	1	4,750	122	1	0	1
	FC4		4,314	111	1	0	2	4,385	112	1	0	2	4,685	120	1	0	2
	FC5		4,687	120	3	0	1	4,765	122	3	0	1	5,090	131	3	0	1
P20	FC2	48	5,284	110	1	0	2	5,372	112	1	0	2	5,738	120	2	0	2
	FC3		5,383	112	1	0	2	5,472	114	1	0	2	5,845	122	1	0	2
	FC4		5,309	111	1	0	2	5,397	112	1	0	2	5,765	120	1	0	2
	FC5		5,768	120	3	0	1	5,864	122	3	0	1	6,264	131	3	0	2
P30	FC2	59	6,750	114	2	0	2	6,862	116	2	0	2	7,330	124	2	0	2
	FC3		6,649	113	1	0	2	6,759	115	1	0	2	7,221	122	2	0	2
	FC4		6,413	109	2	0	2	6,520	111	2	0	2	6,965	118	2	0	2
	FC5		7,386	125	3	0	2	7,509	127	3	0	2	8,021	136	3	0	2
P40	FC2	69	7,911	115	2	0	2	8,042	117	2	0	2	8,591	125	2	0	3
	FC3		7,792	113	2	0	2	7,921	115	2	0	2	8,462	123	2	0	2
	FC4		7,319	106	2	0	2	7,440	108	2	0	2	7,948	115	2	0	2
	FC5		8,656	125	4	0	2	8,800	128	4	0	2	9,400	136	4	0	2
P50	FC2	81	8,924	110	2	0	3	9,072	112	2	0	3	9,692	120	2	0	3
	FC3		8,791	109	2	0	2	8,937	110	2	0	2	9,546	118	2	0	2
	FC4		8,378	103	2	0	2	8,517	105	2	0	2	9,098	112	2	0	2
	FC5		9,766	121	4	0	2	9,928	123	4	0	2	10,605	131	4	0	2
P60	FC2	91	9,944	109	2	0	3	10,109	111	2	0	3	10,799	119	3	0	3
	FC3		9,795	108	2	0	2	9,957	109	2	0	2	10,637	117	2	0	2
	FC4		9,125	100	2	0	2	9,276	102	2	0	2	9,909	109	2	0	3
	FC5		10,881	120	4	0	2	11,062	122	4	0	2	11,816	130	4	0	2
P70	FC2	98	10,475	107	2	0	3	10,649	109	3	0	3	11,375	116	3	0	3
	FC3		10,318	105	2	0	2	10,489	107	2	0	2	11,205	114	2	0	2
	FC4		9,667	99	2	0	3	9,827	100	2	0	3	10,498	107	2	0	3
	FC5		11,462	117	4	0	2	11,652	119	4	0	2	12,447	127	4	0	2
P80	FC2	107	11,437	107	3	0	3	11,627	109	3	0	3	12,421	116	3	0	3
	FC3		11,266	105	2	0	2	11,453	107	2	0	2	12,235	114	2	0	2
	FC4		10,408	97	2	0	3	10,580	99	2	0	3	11,302	106	2	0	3
	FC5		12,516	117	4	0	2	12,723	119	4	0	2	13,592	127	4	0	3
P90	FC2	117	12,338	105	3	0	3	12,543	107	3	0	3	13,399	115	3	0	3
	FC3		12,153	104	2	0	2	12,355	106	2	0	2	13,198	113	2	0	2
	FC4		11,319	97	2	0	3	11,507	98	2	0	3	12,293	105	2	0	3
	FC5		13,501	115	4	0	2	13,725	117	4	0	3	14,662	125	4	0	3
P100	FC2	130	13,177	101	3	0	3	13,396	103	3	0	3	14,310	110	3	0	3
	FC3		12,980	100	2	0	2	13,195	102	2	0	2	14,096	108	3	0	3
	FC4		12,110	93	2	0	3	12,311	95	2	0	3	13,152	101	3	0	3
	FC5		14,419	111	4	0	3	14,658	113	4	0	3	15,659	120	4	0	3

PERFORMANCE DATA

OPTIONAL: CLEAR GLASS

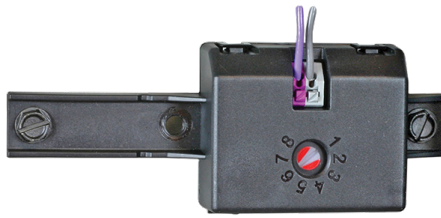
LED Package	Glass/Optic	System Watts	27K (27000K, 70CRI)					30K (3000K, 70CRI)					40K (4000K, 70CRI)				
			Lumens	LPW	B	U	G	Lumens	LPW	B	U	G	Lumens	LPW	B	U	G
P05	FC2	30	2,759	92	1	0	1	2,804	93	1	0	1	2,996	100	1	0	1
	FC3		2,803	93	1	0	1	2,850	95	1	0	1	3,044	101	1	0	1
	FC4		2,681	89	1	0	1	2,726	91	1	0	1	2,912	97	1	0	1
	FC5		2,975	99	2	0	1	3,025	101	2	0	1	3,231	108	2	0	1
P10	FC2	39	3,878	99	1	0	1	3,943	101	1	0	1	4,212	108	1	0	1
	FC3		3,941	101	1	0	1	4,006	103	1	0	1	4,280	110	1	0	1
	FC4		3,770	97	1	0	1	3,832	98	1	0	1	4,094	105	1	0	1
	FC5		4,183	107	3	0	1	4,252	109	3	0	1	4,543	116	3	0	1
P20	FC2	48	4,773	99	1	0	1	4,852	101	1	0	1	5,183	108	1	0	1
	FC3		4,850	101	1	0	1	4,930	103	1	0	1	5,267	110	1	0	1
	FC4		4,639	97	1	0	1	4,716	98	1	0	1	5,038	105	1	0	1
	FC5		5,148	107	3	0	1	5,233	109	3	0	1	5,590	116	3	0	1
P30	FC2	59	6,050	103	2	0	2	6,150	104	2	0	2	6,570	111	2	0	2
	FC3		6,052	103	1	0	1	6,152	104	1	0	1	6,572	111	1	0	2
	FC4		5,604	95	1	0	2	5,697	97	1	0	2	6,086	103	1	0	2
	FC5		6,444	109	3	0	1	6,551	111	3	0	1	6,998	119	3	0	1
P40	FC2	69	7,090	103	2	0	2	7,208	104	2	0	2	7,699	112	2	0	2
	FC3		7,092	103	2	0	2	7,210	104	2	0	2	7,702	112	2	0	2
	FC4		6,396	93	2	0	2	6,502	94	2	0	2	6,945	101	2	0	2
	FC5		7,551	109	3	0	2	7,677	111	3	0	2	8,201	119	3	0	2
P50	FC2	81	7,999	99	2	0	2	8,131	100	2	0	2	8,686	107	2	0	2
	FC3		8,001	99	2	0	2	8,134	100	2	0	2	8,689	107	2	0	2
	FC4		7,321	90	2	0	2	7,442	92	2	0	2	7,950	98	2	0	2
	FC5		8,519	105	3	0	2	8,660	107	3	0	2	9,251	114	3	0	2
P60	FC2	91	8,912	98	2	0	2	9,060	100	2	0	2	9,678	106	2	0	2
	FC3		8,915	98	2	0	2	9,063	100	2	0	2	9,682	106	2	0	2
	FC4		7,974	88	2	0	2	8,106	89	2	0	2	8,659	95	2	0	2
	FC5		9,492	104	3	0	2	9,650	106	3	0	2	10,308	113	4	0	2
P70	FC2	98	9,388	96	2	0	2	9,544	97	2	0	2	10,195	104	2	0	2
	FC3		9,391	96	2	0	2	9,547	97	2	0	2	10,199	104	2	0	2
	FC4		8,448	86	2	0	2	8,588	88	2	0	2	9,174	94	2	0	2
	FC5		9,999	102	3	0	2	10,165	104	3	0	2	10,859	111	4	0	2
P80	FC2	107	10,251	96	2	0	2	10,421	97	2	0	2	11,132	104	3	0	3
	FC3		10,254	96	2	0	2	10,425	97	2	0	2	11,136	104	2	0	2
	FC4		9,095	85	2	0	2	9,246	86	2	0	2	9,877	92	2	0	2
	FC5		10,918	102	4	0	2	11,099	104	4	0	2	11,857	111	4	0	2
P90	FC2	117	11,058	95	3	0	3	11,241	96	3	0	3	12,009	103	3	0	3
	FC3		11,062	95	2	0	2	11,245	96	2	0	2	12,013	103	2	0	2
	FC4		9,892	85	2	0	2	10,056	86	2	0	2	10,742	92	2	0	2
	FC5		11,778	101	4	0	2	11,973	102	4	0	2	12,790	109	4	0	2
P100	FC2	130	11,810	91	3	0	3	12,006	92	3	0	3	12,826	99	3	0	3
	FC3		11,814	91	2	0	2	12,010	92	2	0	2	12,830	99	2	0	2
	FC4		10,583	81	2	0	2	10,759	83	2	0	2	11,493	88	2	0	2
	FC5		12,579	97	4	0	2	12,787	98	4	0	2	13,660	105	4	0	2

PERFORMANCE DATA

OPTIONAL: FROSTED GLASS

LED Package	Glass/Optic	System Watts	27K (27000K, 70CRI)					30K (3000K, 70CRI)					40K (4000K, 70CRI)				
			Lumens	LPW	B	U	G	Lumens	LPW	B	U	G	Lumens	LPW	B	U	G
P05	FC3	30	1,962	65	1	0	1	1,994	66	1	0	1	2,130	71	1	0	1
	FCS		2,070	69	1	0	1	2,105	70	1	0	1	2,248	75	1	0	1
P10	FC3	39	2,758	71	1	0	1	2,804	72	1	0	1	2,995	77	1	0	1
	FCS		2,911	75	1	0	1	2,959	76	1	0	1	3,161	81	1	0	1
P20	FC3	48	3,394	71	2	0	1	3,450	72	2	0	1	3,686	77	2	0	1
	FCS		3,582	75	2	0	1	3,641	76	2	0	1	3,890	81	2	0	1
P30	FC3	59	4,162	71	2	0	1	4,231	72	2	0	1	4,520	77	2	0	1
	FCS		4,425	75	2	0	1	4,498	76	2	0	1	4,805	81	2	0	1
P40	FC3	69	4,878	71	2	0	2	4,959	72	2	0	2	5,297	77	2	0	2
	FCS		5,185	75	2	0	1	5,271	76	2	0	1	5,631	82	2	0	1
P50	FC3	81	5,503	68	2	0	2	5,594	69	2	0	2	5,976	74	2	0	2
	FCS		5,850	72	2	0	1	5,947	73	2	0	1	6,353	78	2	0	1
P60	FC3	91	6,131	67	2	0	2	6,233	68	2	0	2	6,659	73	2	0	2
	FCS		6,518	72	2	0	1	6,626	73	2	0	1	7,078	78	2	0	1
P70	FC3	98	6,459	66	2	0	2	6,566	67	2	0	2	7,014	72	2	0	2
	FCS		6,866	70	2	0	1	6,980	71	2	0	1	7,456	76	2	0	1
P80	FC3	107	7,052	66	2	0	2	7,169	67	2	0	2	7,659	72	2	0	2
	FCS		7,497	70	2	0	1	7,621	71	2	0	2	8,142	76	3	0	2
P90	FC3	117	7,608	65	2	0	2	7,734	66	2	0	2	8,262	71	2	0	2
	FCS		8,087	69	3	0	2	8,221	70	3	0	2	8,783	75	3	0	2
P100	FC3	130	8,125	63	2	0	2	8,260	64	2	0	2	8,824	68	2	0	2
	FCS		8,637	66	3	0	2	8,781	68	3	0	2	9,380	72	3	0	2

COMPONENTS & OPTIONS DATA



AO
Manual field adjustable output dimming device



HSS
Minimize backlight with a louvered house-side-shield. Available as a factory installed

Performance Package	FAO Position	% Lumen Output	% Wattage
P05-P20	8	100%	100%
	7	94%	95%
	6	82%	83%
	5	70%	72%
	4	57%	60%
	3	45%	48%
	2	32%	38%
	1	19%	25%

Performance Package	FAO Position	% Lumen Output	% Wattage
P30-P100	8	100%	100%
	7	94%	93%
	6	83%	81%
	5	71%	69%
	4	59%	56%
	3	46%	44%
	2	33%	32%
	1	19%	20%

ACCESSORIES OPTION DATA



CLHSS
Minimize backlight with a louvered house-side-shield, field accessory



The Rapid Ship Pole and Luminaire program provides quick solutions for urgent needs.

The most popular and readily available are available for those urgent projects. Select from the following options to get up to 20 units shipped in 20 working days or less!

ORDERING INFORMATION

Example: WFCL3 P20 30K MVOLT FC3 BK NF PR7E

Series	Lumen/Wattage Package	Color Temperature	Voltage	Optics	Housing Color	Finial
WFCL3 Utility Washington LED FCO	P05 3,200 nominal lumens	27K 2700 series CCT	MVOLT Auto-sensing voltage (120 thru 277) 50/60 HZ	FC2 Type 2 distribution zero uplight	BK Black	NF None
	P10 4,500 nominal lumens	30K 3000 series CCT	HVOLT Auto-sensing voltage (347 thru 480) 50/60 HZ	FC3 Type 3 distribution zero uplight	GR Gray	BL Ball
	P20 5,600 nominal lumens	40K 4000 series CCT			GH Graphite	SK Spike
	P30 7,000 nominal lumens			FC4 Type 4 distribution zero uplight	GN Green	
	P40 8,100 nominal lumens			FC5 Type 5 distribution zero uplight	WH White	
	P50 9,200 nominal lumens				BZ Bronze	
	P60 10,200 nominal lumens					
	P70 10,800 nominal lumens					
	P80 11,700 nominal lumens					
	P90 12,700 nominal lumens					
P100 13,600 nominal lumens						

Options: <i>Option Compatibility Matrix on page 3 of 4</i>		
<p>CONTROLS OPTIONS</p> <p>A0 Field Adjustable Output</p> <p>DINBRA DTL DIN node bracket with external mounted antenna, DTL DIN node ordered and shipped separately</p> <p>PR7 NEMA Twist Lock Dimming photocontrol receptacle - 7 PIN receptacle only.</p> <p>PR7E NEMA Twist Lock Photocontrol Receptacle - 7 PIN. Externally mounted, available with NF option</p> <p>PCLL DTL long life twistlock photocontrol for solid-state MVOLT</p> <p>SH Shorting cap</p>	<p>PREWIRED LEAD OPTIONS</p> <p>L1H 1.5 ft. prewired leads</p> <p>L03 3 ft. prewired leads</p> <p>L10 10 ft. prewired leads</p> <p>L20 20 ft. prewired leads</p>	<p>OPTIC OPTIONS</p> <p>CLGL Clear tempered glass lens</p> <p>FRGL 10% Frosted tempered glass lens</p> <p>HSS House side shield</p> <p>LEM REVEAL COLOR OPTIONS</p> <p>MHC LEM Reveal Plate Painted to match Housing Color</p> <p>NEMA LABEL OPTIONS</p> <p>NL1X1 NEMA Label 1" x 1"</p> <p>NL2X2 NEMA Label 2" x 2"</p>

Accessories: <i>Order as separate catalog number, ships separately & field installed.</i>	
HOUSE SIDE SHIELD	
CLHSSNG25	No glass, Type 2 & Type 5 - Louvered house side shield
CLHSSNG34	No glass, Type 3 & Type 4 - Louvered house side shield
CLHSSGL25	Glass, Type 2 & Type 5 - Louvered house side shield
CLHSSGL34	Glass, Type 3 & Type 4 - Louvered house side shield