

# OLWP LED

LED Wall Pack

## Value and Versatility Defined

OLWP LED is compact and efficient — consumes 80% less energy than a 100 MH wall pack. Slim modern design fits well with any building style. There's even a standard photocell which turns the light on at dusk and off at dawn.

**Now that's smart!**

### Key Features:

- OLWP LED replaces up to 70W HPS or 100W MH
- 2 high-powered LEDs provide 1414 lumens in a neutral 4000K CCT
- Fully gasketed polycarbonate lens provides an even light distribution and protects electronics
- 50,000 hour LED life<sup>1</sup>
- Cast aluminum back plate dissipates heat from LEDs to promote long life
- Includes standard photo cell for dusk to dawn operation
- Highly efficient LEDs provide 62 lumens per watt

1 LED lifespan based on IESNA LM-80-08 results and calculated per IESNA TM-21-11 methodology.

Learn more about the OLWP LED at [www.lithonia.com](http://www.lithonia.com)

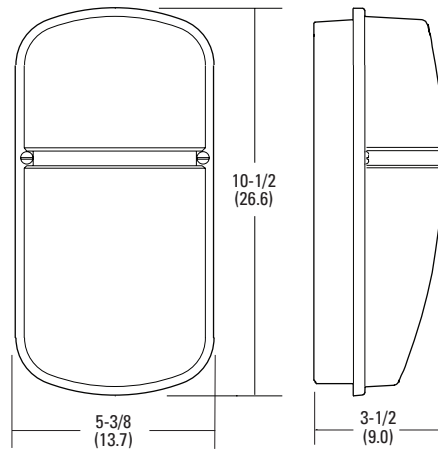


# OLWP LED Wall Pack

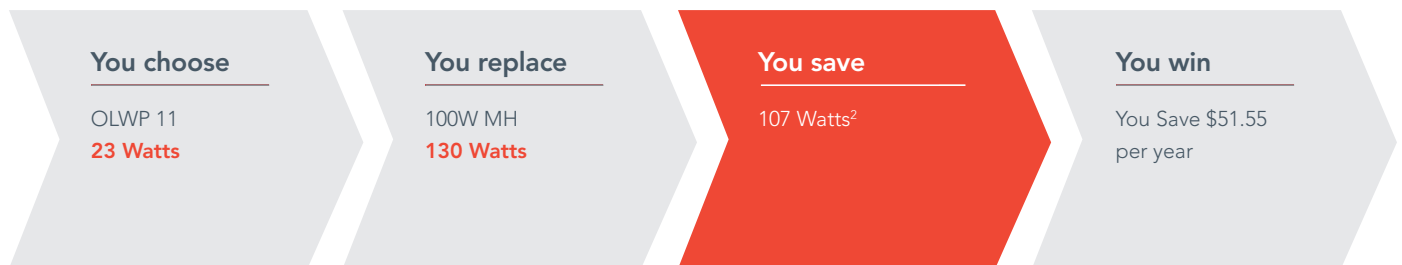
## Ordering Information

EXAMPLE: OLWP LED P1 40K 120 PE BZ

OLWP LED											
Series		Power Package		Color temperature		Voltage		Control Options		Finish	
OLWP LED	LED Wall Pack	P1	1414 lumens	40K	4000K <sup>1</sup>	120	120V	PE	PE 120V Button Photocell	BZ	Bronze



## Need more out of your LED luminaires?



### Notes

- 1 Correlated Color Temperature (CCT) shown is nominal per ANSI C78,377-2008.
- 2 Based on 12 hours operation per day and energy costs of \$.11 per kWh



Visit [www.lithonia.com](http://www.lithonia.com) for more information