



HIBUS® Series OPGW Suspension

The Hinged Bushing Suspension is designed to reduce the static and dynamic stress at the attachment point on all types of OPGW fiber cables without the use of protective rods. Eliminating the need for the rods was achieved by the use of a unique bushing system that allows the OPGW cable to better withstand the effects of aeolian vibration. Test results have proven its ability to provide superior protection for your fiber system. The hinged concept on the suspension configuration provides self alignment of the housing halves. All of the hardware is captive except for the attachment pin.

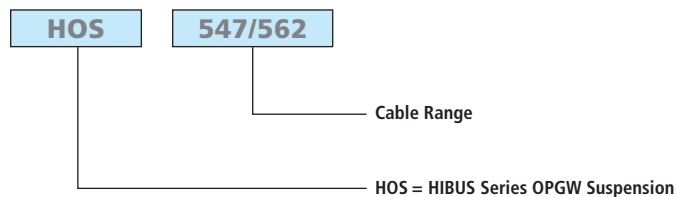
Test reports available include vibration test, slip test, ultimate strength and angle test.

Clamp rated slip load at 20% of RBS for cables with less than 25,000 lbs breaking load. Contact AFL for slip rating on cables greater than 25,000 lbs RBS.

Features

- Self-aligning housing halves
- Stress relief bushing system
- Aluminum clamp body with captive stainless steel mounting bolts
- Galvanized steel mounting pin with cotter pin
- Line angles up to 20° for single unit, up to 40° for two units using an 18" yoke plate.

Ordering Information

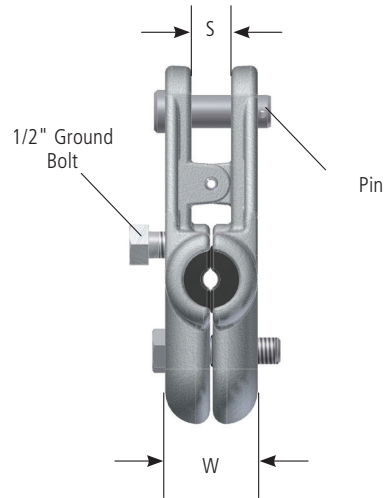
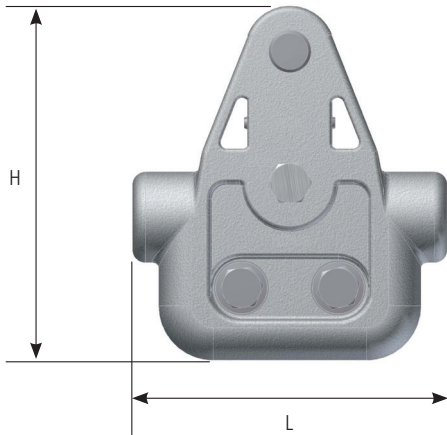


ORDERING EXAMPLE:

For a HIBUS Series OPGW Suspension with a 0.547" - 0.562" cable range, the part number is HOS547/562.

continued
→

HIBUS® Series OPGW Suspension

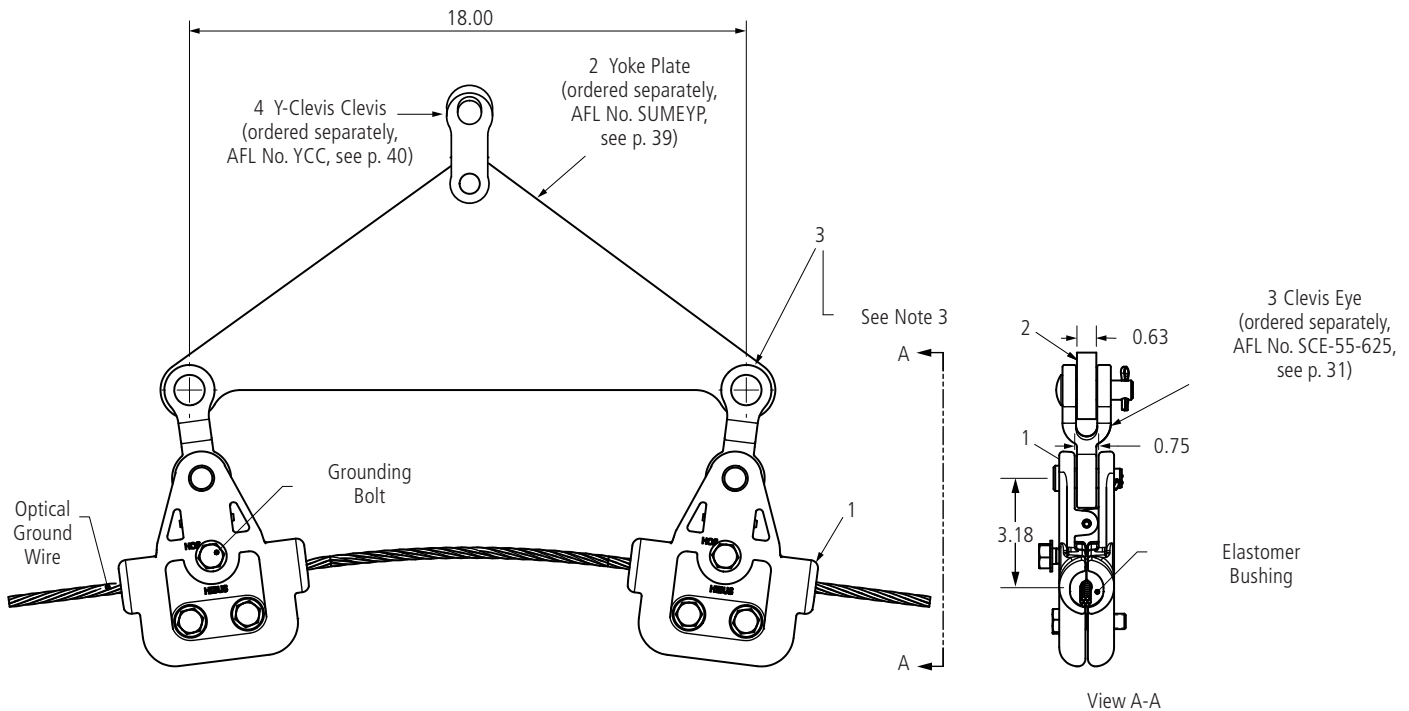


| AFL NO. | RANGE (IN) | | RANGE (MM) | | LENGTH (L) | HEIGHT (H) | WIDTH (W) | CLEVIS WIDTH (S) | WEIGHT (LBS) | VERT. LOAD RATING (LBS) | PIN SIZE |
|------------|------------|-------|------------|-------|------------|------------|-----------|------------------|--------------|-------------------------|----------------|
| | MIN | MAX | MIN | MAX | | | | | | | |
| HOS335/345 | 0.335 | 0.345 | 8.51 | 8.76 | 6.1" | 6.8" | 1.75" | .75" | 3.4 | 20,000 | 0.625" x 2.00" |
| HOS346/360 | 0.346 | 0.360 | 8.77 | 9.14 | | | | | | | |
| HOS361/375 | 0.361 | 0.375 | 9.15 | 9.53 | | | | | | | |
| HOS376/390 | 0.376 | 0.390 | 9.54 | 9.91 | | | | | | | |
| HOS391/406 | 0.391 | 0.406 | 9.92 | 10.31 | | | | | | | |
| HOS407/418 | 0.407 | 0.418 | 10.32 | 10.62 | | | | | | | |
| HOS419/434 | 0.419 | 0.434 | 10.63 | 11.02 | | | | | | | |
| HOS435/448 | 0.435 | 0.448 | 11.03 | 11.38 | | | | | | | |
| HOS449/465 | 0.449 | 0.465 | 11.39 | 11.81 | | | | | | | |
| HOS466/480 | 0.466 | 0.480 | 11.82 | 12.19 | | | | | | | |
| HOS481/500 | 0.481 | 0.500 | 12.20 | 12.70 | | | | | | | |
| HOS501/516 | 0.501 | 0.516 | 12.71 | 13.11 | | | | | | | |
| HOS517/531 | 0.517 | 0.531 | 13.12 | 13.49 | | | | | | | |
| HOS532/546 | 0.532 | 0.546 | 13.50 | 13.87 | | | | | | | |
| HOS547/562 | 0.547 | 0.562 | 13.88 | 14.27 | | | | | | | |
| HOS563/577 | 0.563 | 0.577 | 14.28 | 14.66 | | | | | | | |
| HOS578/584 | 0.578 | 0.584 | 14.67 | 14.83 | | | | | | | |
| HOS585/599 | 0.585 | 0.599 | 14.84 | 15.21 | | | | | | | |
| HOS600/614 | 0.600 | 0.614 | 15.22 | 15.60 | | | | | | | |
| HOS615/629 | 0.615 | 0.629 | 15.61 | 15.98 | | | | | | | |
| HOS630/644 | 0.630 | 0.644 | 15.99 | 16.36 | | | | | | | |
| HOS645/659 | 0.645 | 0.659 | 16.37 | 16.74 | | | | | | | |
| HOS660/666 | 0.660 | 0.666 | 16.75 | 16.92 | | | | | | | |
| HOS667/681 | 0.667 | 0.681 | 16.93 | 17.30 | | | | | | | |
| HOS682/696 | 0.682 | 0.696 | 17.31 | 17.68 | | | | | | | |
| HOS697/711 | 0.697 | 0.711 | 17.69 | 18.06 | | | | | | | |
| HOS712/726 | 0.712 | 0.726 | 18.07 | 18.44 | | | | | | | |
| HOS727/741 | 0.727 | 0.741 | 18.45 | 18.82 | | | | | | | |
| HOS742/750 | 0.742 | 0.750 | 18.83 | 19.05 | | | | | | | |

continued
→

Fiber Optic Cable Hardware

HIBUS® OPGW Double Suspension – Configuration Assemblies



Bill of Material

| ITEM | DESCRIPTION | AFL OR DWG. NO. | REQ'D |
|------|--------------------------------------|-----------------|-------|
| 1 | HIBUS OPGW Suspension Clamp Assembly | HOS XXX/XXX | 2 |
| 2 | Yoke Plate | SUMEYP | 1 |
| 3 | Clevis Eye | SCE-55-625 | 2 |
| 4 | Y-Clevis Clevis | YCC | 1 |

Strength Rating Information

- Hibus opgw [optical ground wire] Suspension Clamp - Item (1) ultimate strength rating: 20,000 lbs.
- Hibus opgw [optical ground wire] Suspension Clamp rated slip load @ 20% of rts for cables with less than 25,000 breaking load. Contact AFL for slip load rating on cables greater than 25,000 lbs. Rts.
- Attachment hardware:
 - Yoke plate - Item (2) - ultimate strength rating: 40,000 lbs.
 - Clevis eye - Item (3) - ultimate strength rating: 25,000 lbs.
 - Y-Clevis Clevis - Item (4) - ultimate strength rating: 30,000 lbs.
- Max line angle is 40 degrees.