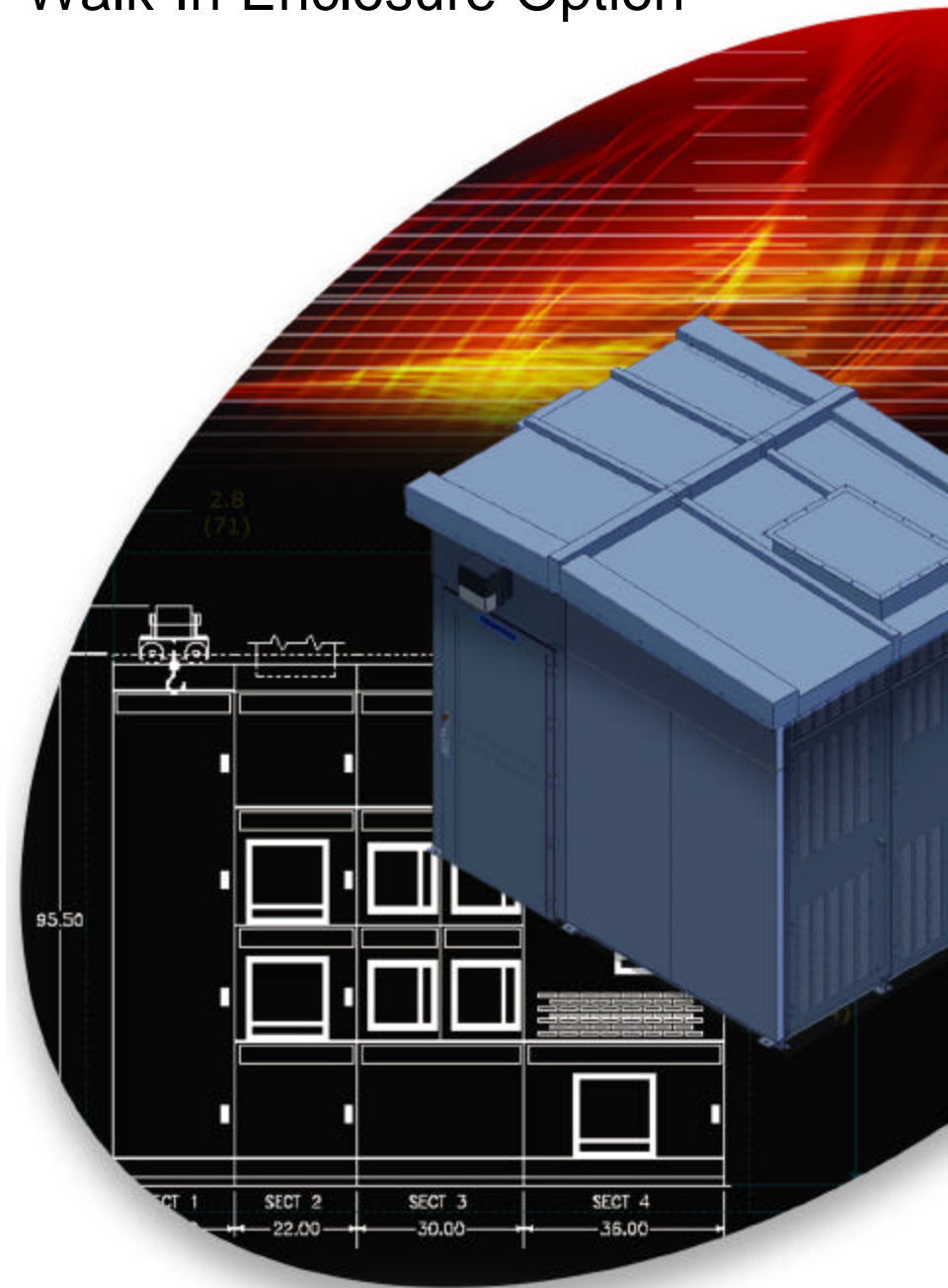
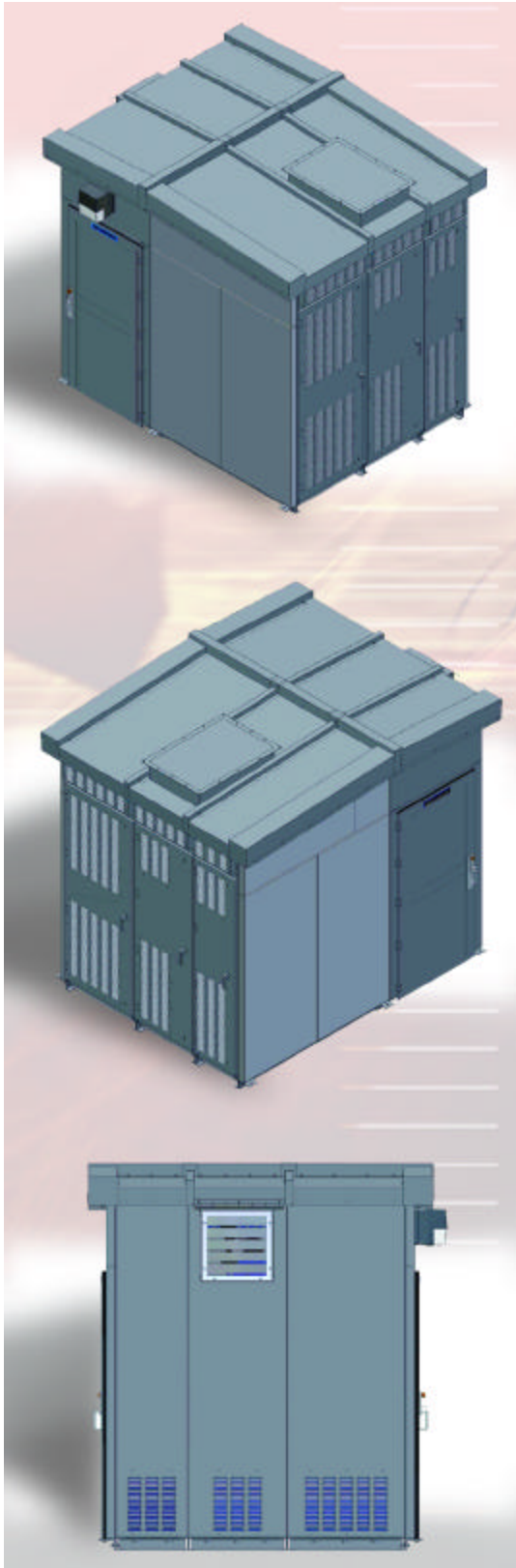


# *Power-Zone® 4 Switchgear and QED-6 Switchboards*

NEMA Type 3R Outdoor  
Walk-In Enclosure Option



# *Designed to withstand the elements*



Power-Zone® 4 low voltage switchgear and QED-6 rear connected switchboards are now available with an outdoor option that meets the outdoor, rain resistant requirements of ANSI C37.20.1 (for Power-Zone 4) and UL 891 (for QED-6).

The Type 3R enclosure option is produced as part of the Power-Zone 4 switchgear or QED-6 switchboard and shipped from the equipment assembly plant complete. Base, roof, sides and aisle sections are assembled as part of the Power-Zone 4 switchgear/QED-6 switchboards equipment. Field assembly, if required, consists of connecting shipping splits of the interior equipment, bus, control wiring, and the exterior enclosure front, rear and roof seams.

## **Features include:**

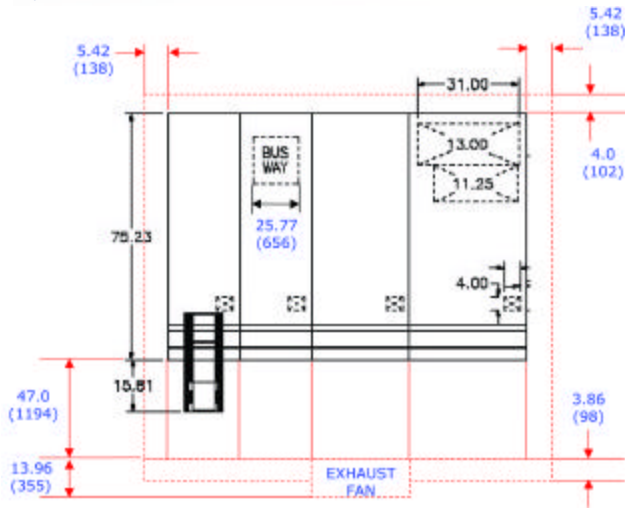
- 42" wide (interior dimension) sheltered aisle area in front of the equipment, access doors with panic hardware on each end, aisle lighting and convenience receptacles
- Rear-hinged doors
- Overhead lifter
- Strip heaters

## **Options include:**

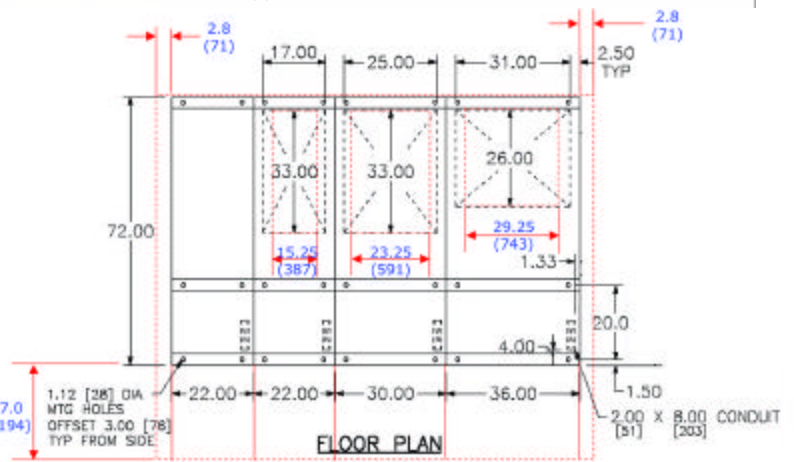
- Thermostatically controlled exhaust fan
- Exit/emergency lights with battery back up
- Exterior light
- Undercoating
- Seismic anchoring

This Type 3R outdoor enclosure option for Power-Zone 4 switchgear and QED-6 switchboards meets the basic outdoor requirements as specified in ANSI C37.20.1/UL 1558 (PZ-4) and UL 891 (QED-6). The enclosure also meets the outdoor requirement for CSA 22.2-#31 and can be labeled cUL.

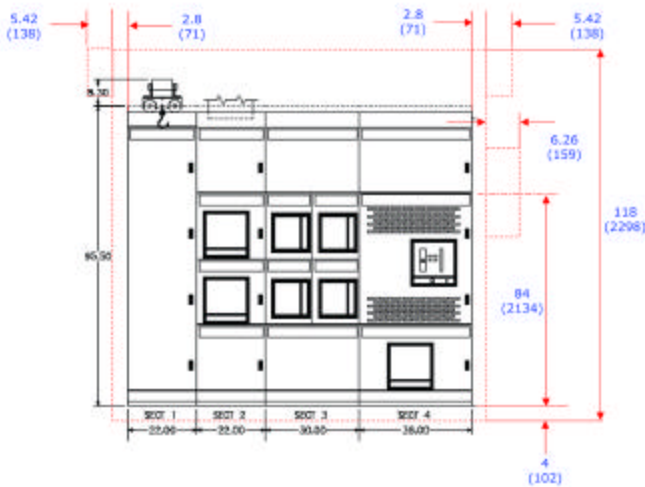
TOP VIEW



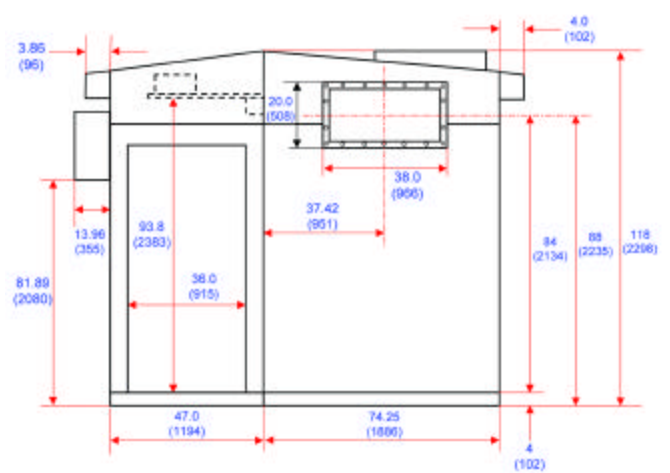
FLOOR PLAN



FRONT VIEW



RIGHT SIDE VIEW



*Dimensions not for construction*

Adequate equipment cell door "swing" clearance is provided for 22" and 30" wide left most equipment sections by automatically including a 22" auxiliary section on the left side of the 22" or 30" wide equipment section. Lineups of equipment with the Type 3R option are thus 22" wider as compared to comparable Type 1 indoor equipment (if the left most equipment section is 36" wide, no auxiliary section is required and these lineups would be as wide as comparable Type 1 indoor equipment).

## Outdoor NEMA Type 3R Walk-in Enclosure: Suggested Specification

Switchgear shall be enclosed in an outdoor walk-in NEMA type 3R enclosure conforming to all applicable requirements of (UL 1558), (UL 891), (CSA and labeled cUL). The enclosure shall have a roof sloping toward the front and rear. Outer sections shall be the same widths as indoor structures. Appropriate spacing using standard equipment and dimensions shall be made on the left end of the lineup to adapt for the "door swing" of interior equipment.

The interior front aisle depth for walk-in structures shall be 42" minimum. Access doors shall be available on both ends of the aisle.

The enclosure shall be provided with rear-hinged, padlockable doors with wind stops for each section. Aisle doors shall be supplied with provisions for locking. A steel floor shall be provided in the walk-in aisle space. Full rear section bottom barriers shall be provided to prevent the entrance of rodents and vermin. Ventilating openings shall be provided complete with replaceable air filters. Provide necessary space heaters thermostatically controlled for breaker, bus and cable compartments of adequate wattage to prevent the accumulation of moisture within the compartments.

Provide panic door hardware on aisle doors at each end of the line-up. External locking of the aisle doors shall not prevent operation of the panic hardware from the interior of the enclosure. The construction of the enclosure shall be modular so future sections can be added without affecting NEMA 3R integrity. Provide interior aisle fluorescent lights, 3-way switches and GFI protected receptacles.

Power for the space heaters, lights and receptacles shall be obtained from a (control power transformer within the switchgear) (source as indicated on the drawings). Supply voltage shall be 120 volts AC.

An overhead circuit breaker lifter shall be provided in the aisle of the enclosure.

Each shipping section shall be shipped completely assembled.

Optional top (busway) (conduit) provisions shall be provided.

Optional transformer connection(s) shall be provided.

Optional interior exit/emergency lights shall be provided inside over each aisle door.

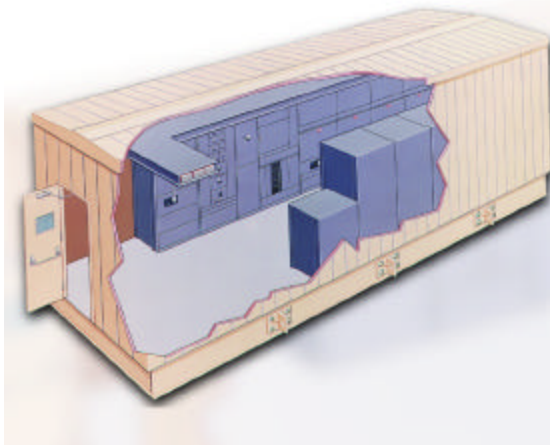
Optional exterior lights shall be provided over the outside of each aisle door.

Optional increased interior lighting shall be provided to allow approximate illumination to 150 FC.

Optional thermostatically controlled aisle exhaust fan shall be provided.

Optional seismic mounting brackets to meet provisions of the 1997 UBC, 2001 CBC, NFPA 5000, IBC, and ASCE7. For seismic certifications, contact your local Square D® sales office.

The enclosure shall be provided with an optional undercoating applied to the underside of the enclosure.



For more detailed outdoor enclosure specifications, which may include insulated construction, controlled environments (air conditioning) and multiple lines of equipment (utility metering compartments, motor control centers, medium voltage equipment, etc.), custom Power Zone® Center construction should be considered.

Power Zone Center enclosures have been providing custom enclosure solutions for Square D power equipment for over two decades.

### Schneider Electric - North American Operating Division

1415 S. Roselle Road  
Palatine, IL 60067  
Tel: 847-397-2600  
Fax: 847-925-7500