

# CDLX SERIES OUTDOOR LIGHTING

CDLX-MD-15-45W-30K  
CDLX-MD-15-45W-40K  
CDLX-MD-15-45W-50K



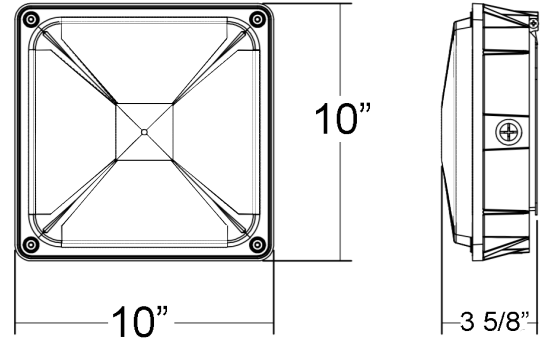
Ideal for indoor parking lots, commercial buildings, schools, warehouses, retail centers, apartment complexes. Designed for 9 to 16-foot mounting.

Customer Name: \_\_\_\_\_

Project Name: \_\_\_\_\_

Note: \_\_\_\_\_

Type: \_\_\_\_\_



10"(L) X 10" (W) X 3 5/8"(H)

## Features

- Housing: Die-cast aluminum with prismatic polycarbonate lens redesigned for LED
- Designed for 9 to 16 foot mounting heights
- Factory-Installed Options: Battery Backup, Motion Sensor
- 7-year warranty
- Multi-Power Switch is in the Fixture

## Technical Specifications

### Electrical:

- Wattage: 15W/ 25W/ 35W/ 45W
- Input Current: 0.6A MAX
- Input Voltage: 120-277VAC 50/60Hz
- Power factor: >0.90
- LPW: 120

### Mechanical:

- Die-cast aluminum with bronze
- Four 1/2" threaded hubs located on four sides of the housing
- Prismatic polycarbonate lens
- Lifespan: 70000 Hrs
- Operating temperature: -4°F ~ 104°F
- IP rating: IP65, Wet Locations

### Lighting:

- Dimming: 0~10V dimmable
- LED type/ Brand: SMD 3030/ Philips Lumileds LEDs
- Total lumens: 5100LM Max.
- Color temperature: 3000K/ 4000K/ 5000K
- Color rendering index: >80
- Beam angle: 150°
- Lifespan: 70000 Hrs

### Applications:

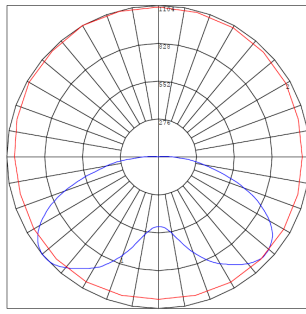
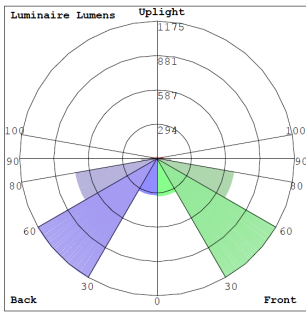
- Indoor Parking
- Commercial Buildings
- School
- Warehouses
- Complexes
- Apartment
- Garage

### Other Models:

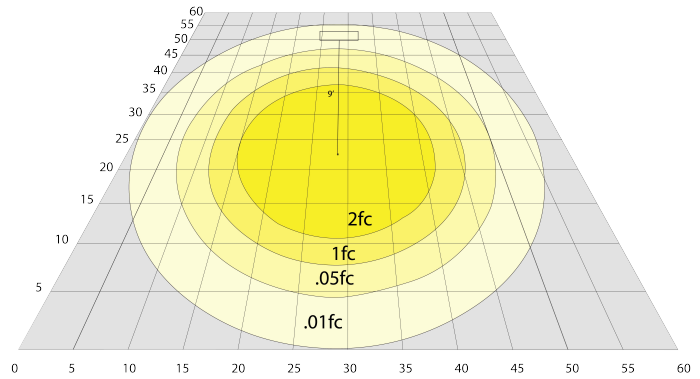
- 25W | 2850LM | CDLX-SM-5-25W-30K
- 25W | 2950LM | CDLX-SM-5-25W-40K
- 25W | 3000LM | CDLX-SM-5-25W-50K
- 80W | 9500LM | CDLX-LG-30-80W-30K
- 80W | 9600LM | CDLX-LG-30-80W-40K
- 80W | 9650LM | CDLX-LG-30-80W-50K



**Photometrics: CDX-MD-15-45W**



BUG Rating: B2-U3-G2

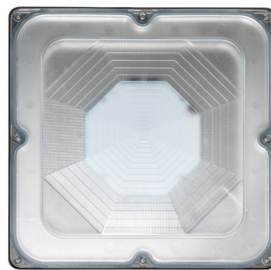


Area 60'x 60' Mounting Height: 9'

**Other Views:**



Side View



Front View



Back View

**Performance Table: CDLX-MD-15-45W**

MODEL NO.	Wattage	Voltage	Lumens	Color Temp.	BUG Rating	LPW
CDLX-MD-15-45W-30K	15W	120~277V	2000LM	3000K 4000K 5000K	B2-U3-G2	120
			2100LM			
			2150LM			
			3100LM			
CDLX-MD-15-45W-40K	25W		3200LM			
			3300LM			
			4200LM			
CDLX-MD-15-45W-50K	35W		4300LM			
			4450LM			
CDLX-MD-15-45W-50K	45W		4500LM			
			4900LM			
			5100LM			



# Sample Ordering

**Model    Size    Min.    Max. Wattage Color Temp.**

CDLX - MD - 15 - 45W -

30K = 3000K  
40K = 4000K  
50K = 5000K

## Factory Installed Options

Blank = No Option For Factory-Instalaaed  
 OPT-EM-FM1INT = INTERNAL EMERGENCY BACKUP BATTERY  
 OPT-SEN-2MD-35 = PROGRAMMABLE MICROWAVE BI-LEVEL SENSOR  
 OPT-PC-B = PHOTOCCELL  
 OPT-CLR-95 = C COLOR PAINT  
 WEC-3RC = OPTIONAL REMOTE CONTROL  
 OPT-TRS-T20 = TAMPER RESISTANT SCREW

## SENSOR AND REMOTE CONTROL OPTIONS



OPT-EM-FM1INT



WEC-3RC

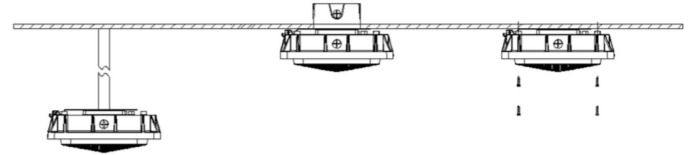


OPT-PC-B



OPT-SEN-2MD-35

## MOUNTING OPTIONS



## Example:

1. CDLX-MD-15-45W-50K
2. CDLX-MD-15-45W-50K  
WEC-3RC

(CDLX 45W 5000K fixture 120V-277V)

(CDLX 45W 5000K fixture 120V-277V  
(Remote Control)

