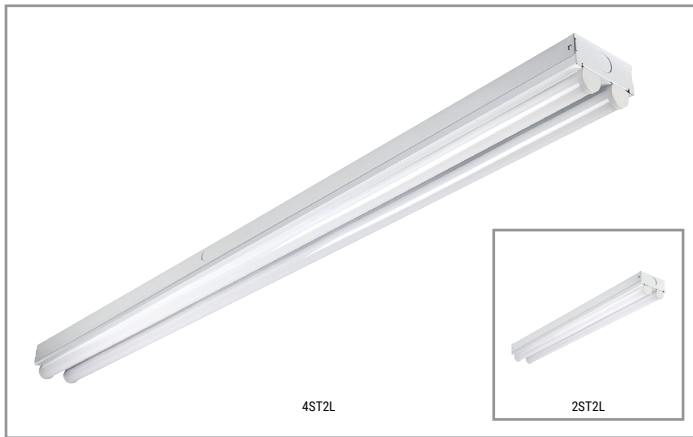


Project		Catalog #		Type	
Prepared by		Notes		Date	



# Metalux

## ST2 Striplight

Dimming and CCT selectable LED Striplight

### Typical Applications

Commercial • Industrial • Retail • Residential

### Interactive Menu

- Order Information [page 2](#)
- Photometric Data [page 3](#)
- Product Warranty

### Product Certification



### Product Features



### Top Product Features

- 3 CCT Selectable (3500/4000/5000K) options available
- Superior performance with lumens up to 9300 lumen and 125 lm/W
- Dual lens tube with 3.5" wide channel design
- Ideal for replacing two or four lamp fluorescent strips
- Low voltage 0-10V dimming to 10%

### Features and Benefits

	Features	Benefits
Construction	Full length and standard width channel design	No painting required. Ideal for any retrofit fluorescent project
	Tool-less channel cover, integrated LEDs and access from below	Simple install and maintenance for life of product
	Continuous row mount aligner included	Add-on length as needed regardless of application or layout
Performance	Up to 9300 lumen and 125 lm/W	Replace up to 4 lamps for over 40% energy savings
	0-10V Dimming, 4000K standard	Additional energy savings and control
	DLC® compliant with 5-year limited warranty	Rebate eligible and certified for guaranteed performance
	CCT Selectable 3500/4000/5000K	Increase inventory turns; single SKU for multiple application

## Order Information and Performance Data

Default CCT Setting: 4000K for Selectable SKU's

Catalog Number	UPC	CRI (Min)	CCT (K) Setting	Nominal Lumens	Watts	Efficacy (lm/W)	Controls	Input current (A)	
								120V	277V
2ST2L20SC3	080083241569	80	3500K	2301	18.6	124	0-10V Dimming	0.25	0.20
			4000K	2300	18	129			
			5000K	2398	18.5	129			
4ST2L40SC3	080083241583	80	3500K	4850	39.5	123	0-10V Dimming	0.36	0.16
			4000K	4800	41	119			
			5000K	5052	39.4	128			
8ST2L80SC3	080083242207	80	3500K	9424	77	122	0-10V Dimming	0.66	0.29
			4000K	9300	74	126			
			5000K	9844	77	128			

### Load Data (120/277V data)

	2'	4'	8'
PF (min.) 120/277V	0.95/0.9	0.95/0.9	0.95/0.9
THD% (max.) 120/277V	10/20	10/20	10/20
Low Temp. Start 120/277V	-20 C	-20 C	-20 C

### Shipping Data

Catalog Number	Weight (lb)	Master Carton Qty	Pallet Qty	Gross Weight Pallet (lb)
2ST2	2.7	6	240	699
4ST2	4.6	6	150	821
8ST2	10.2	6	90	998

### Factory Installed Mod Shop Option

Catalog	Emergency Battery Installed
4ST2L40SC3-___	EL7=7 Watt Emergency <sup>(2)</sup>
8ST2L80SC3-___	EL14=14 Watt Emergency <sup>(2)</sup>
8ST2L8040-___	BSL310=Bodine 10 Watt Emergency <sup>(2)</sup>

### Accessories (Order Separately)

**HBAYC-CHAIN/SET/U=(2)** V-Hook Hangers, 36" Chain Sets w/S-Hooks  
**SCF=Fixed Stem Set (Specify Length)** <sup>(1)</sup>  
**SCS=Swivel Stem Set (Specify Length)** <sup>(1)</sup>  
**SCA=Adjustable 48" Stem Set** <sup>(1)</sup>  
**TOGGLE=Single Toggle No. 2 (Specify Length)** <sup>(1)</sup>  
**Y-TOGGLE=\_\_\_-2PK=(2)** Y-Toggle Cable Kits (Specify 10 or 30 for length in feet)  
**EBPLED7W=User Installed, 7 Watt LED Emergency Battery Pack** <sup>(2)</sup>  
**EBPLED14W=User Installed, 14 Watt LED Emergency Battery Pack** <sup>(2)</sup>  
**WG-SNX/SN-2FT-B-PK=2ft** Wire Guard  
**WG-SNX/SN-4FT-B=ft** Wire Guard, Use (2) WG for 8ST2

**Notes:** (1) For stem, chain, and toggles, order two per fixture.  
 (2) For approximate delivered lumens multiply the lumens per watt of the desired fixture by the wattage of the emergency battery pack (100 lm/W x 7=700 lumens).

## Product Specifications

### Construction

- Die formed post painted white steel construction
- U-bracket continuous row mount aligner included
- Snap and lock tool-less channel cover for easy maintenance
- Powder coated white finish for a clean exterior
- Single channel width at 3.6" wide
- Available sizes: 2ft, 4ft and 8ft lengths

### Electrical

- 120-277V electronic driver, FCC part 15 Class B at 120V and Class A at 277V
- Standard 0-10V low voltage dimming down to 10%
- Purple and grey (pink) low voltage dimming leads required from 0-10V dimmer switch to fixture
- For Selectable SKU's Default CCT setting is 4000K

### Optics

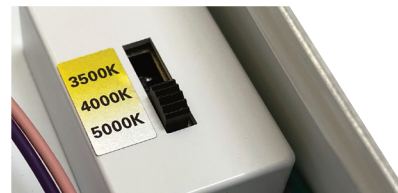
- Classic double fluorescent tube exterior for aesthetic
- Impact resistant, UV-stabilized frosted polycarbonate lens
- Standard LED blended optics for wide area coverage up to 15' mounting

### Emergency Battery Pack Option

- Field installed remote mount UNV battery pack available, 7 and 14 watts, ships separately
- Batteries provide 90 minutes of backup power
- Factory installed battery pack available via mod-shop

### LED & Light Engine

- CCT Selectable option for maximum color flexibility: choose from 3500K, 4000K or 5000K
- L70 at >50,000 hours (TM-21), over 23 years at 6 hrs/day
- LED modules comply with IESNA LM-79 and LM-80 standards



CCT selectable switch

### Installation

- Surface or suspended mount capable
- Channel and end knockouts (7/8") for conduit entry and continuous row
- Wire nuts and aligner included

### Compliance and Certifications

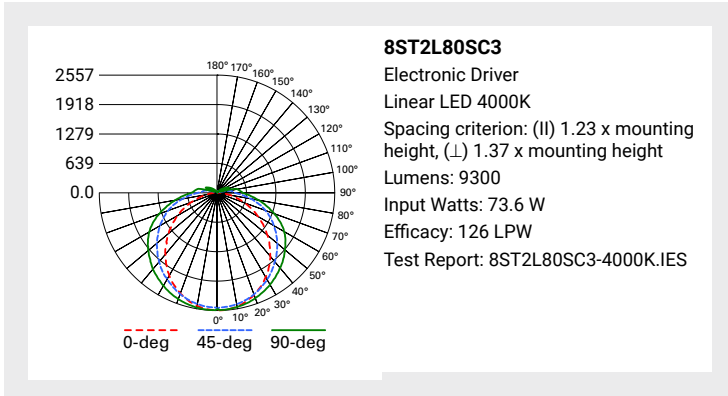
- UL/cUL listed for damp location
- Rated for 0F (-20C) to 104F (40C) ambient operating temperatures
- RoHS compliant
- DesignLights Consortium® Qualified and classified for DLC Standard, refer to www.designlights.org for details
- Suitable for use in closet storage spaces when installed in accordance with NFPA-70 and NEC 410.16 spacing requirements

### Limited Warranty

- Five-year limited warranty

## Photometric Data

[View IES files](#)



## Dimensional and Mounting Details

