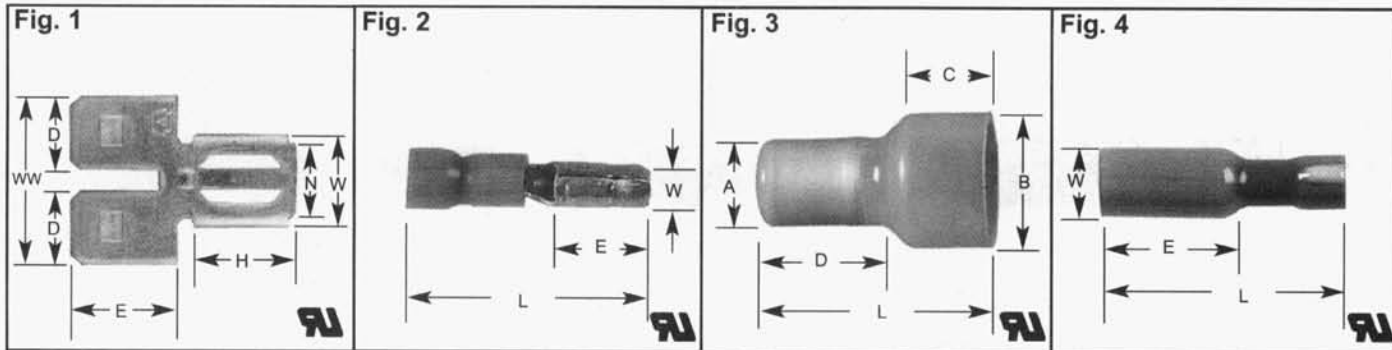


Slip-On/Pigtails/Plugs/Receptacles



Double Mate Tab Single Female Slip-On

Stud Size	L Inches	WW Inches	D Inches	E Inches	H Inches	W Inches	U Inches	N Inches	Part Number	Pcs./ Bag*	Fig. No.
.250"	.78"	.572"	.253"	.315"	.318"	.324"	.105"	.250"	ST-63	65	1

Male Plugs

Wire Range CMA	Color Code	Basic Terminal Dimension				Vinyl Insulated Butted Seam Funnel Barrel Part Number	Pcs./ Bag*	Fig. No.
		Barrel	W	L	E			
18-14 1600-5180	Blue	.081"	.156"	.92"	.345"	ST-29	90	2
18-14 1600-5180	Blue	.081"	.180"	.97"	.447"	ST-48	90	2
22-18 509-2050	Red	.057"	.156"	.91"	.345"	ST-50	90	2

Nylon Insulated Pigtails (Closed End Connectors)

Wire Range CMA	Color Code	A Inches	B Inches	C Inches	D Inches	L Inches	Nylon Fully Insulated Part Number	Pcs./ Bag*	Fig. No.
18-14 1600-13,100	White	.16	.40	.27	.32	.81	ST-23	80	3
22-14 509-5180	White	.10	.28	.19	.32	.73	ST-22	100	3

Receptacles

Wire Range CMA	Color Code	Insulation Dia. Inches	Basic Terminal Dimension				Fits Male Plug Dia.	Vinyl Insulated Funnel Part Number	Pcs./ Bag*	Fig. No.
			Barrel Inside Dia.	W Inches	L Inches	E Inches				
18-14 1600-5180	Blue	.160	.081	.18	1.03	.345	.156	ST-33	50	4
22-18 509-2050	Red	.125	.061	.18	1.03	.345	.156	ST-49	50	4

* Solderless Terminals are available in both Poly Zip-Lock Bag packaging and Bulk packaging. The "Pcs. per Bag" column refers to the Poly Zip-Lock bag packaging while the Bulk packaging has a 1,000 Pc. minimum multiples. Please indicate package preference by adding a "-BG" suffix or a "-BK" suffix for bulk.