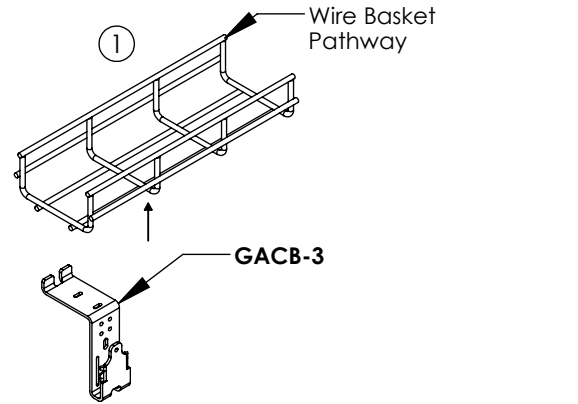
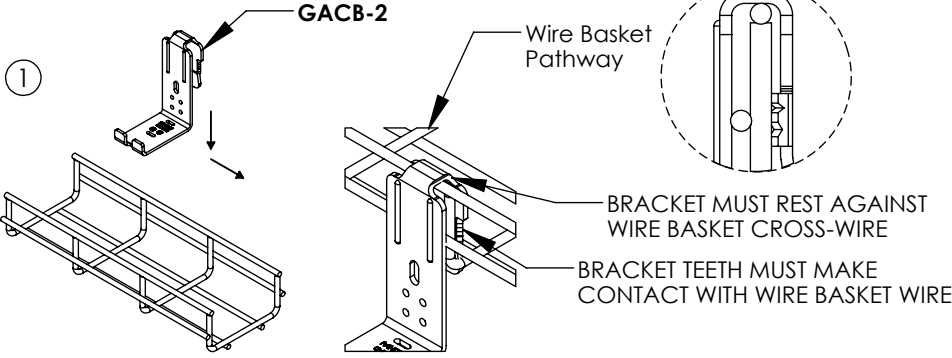
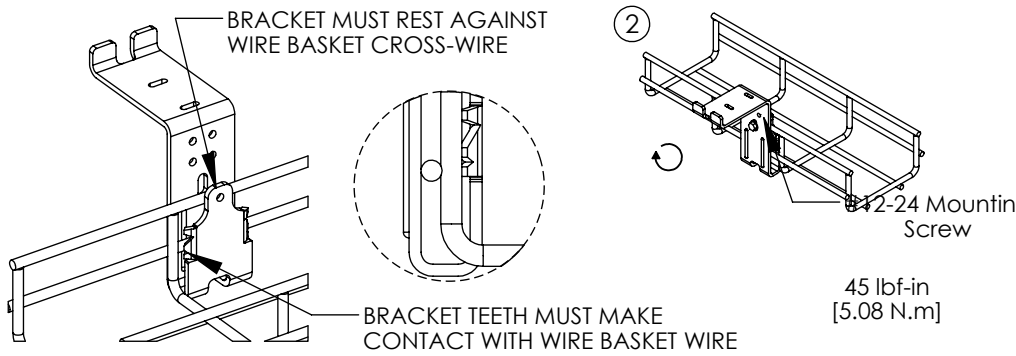
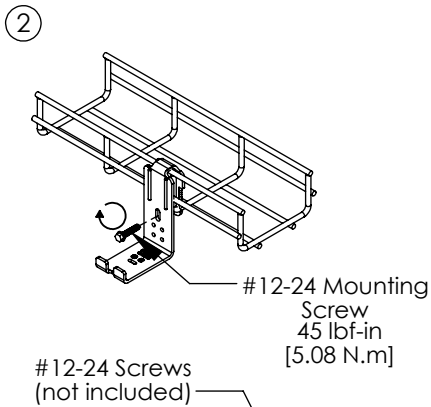


GACB-2 on Wire Basket Pathway

GACB-3 on Wire Basket Pathway

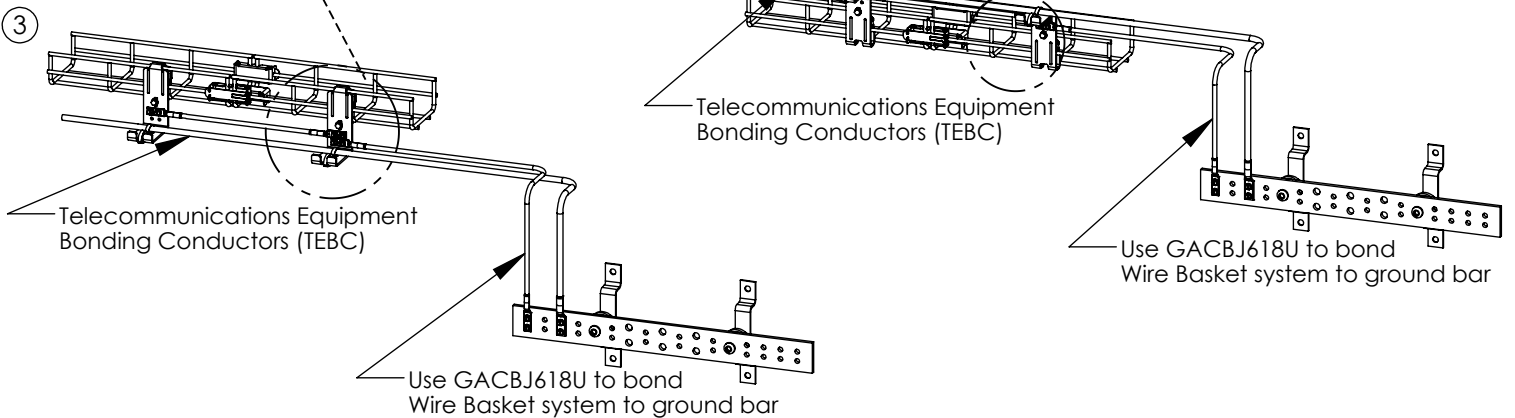
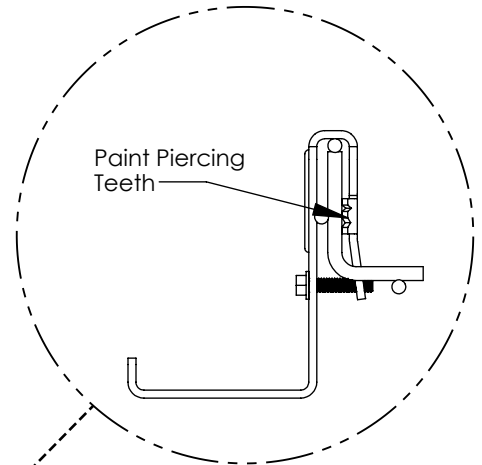
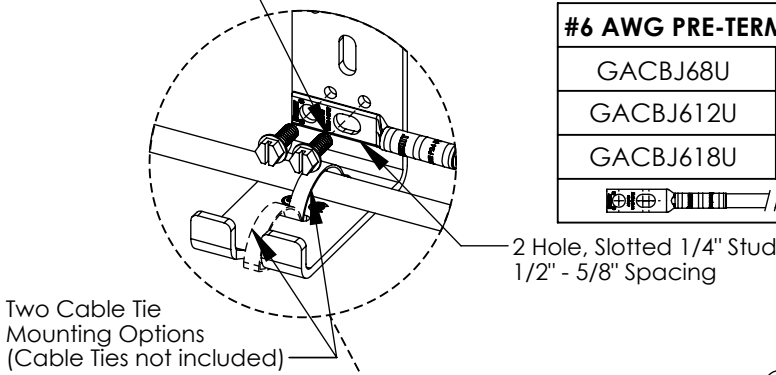


GACB-2

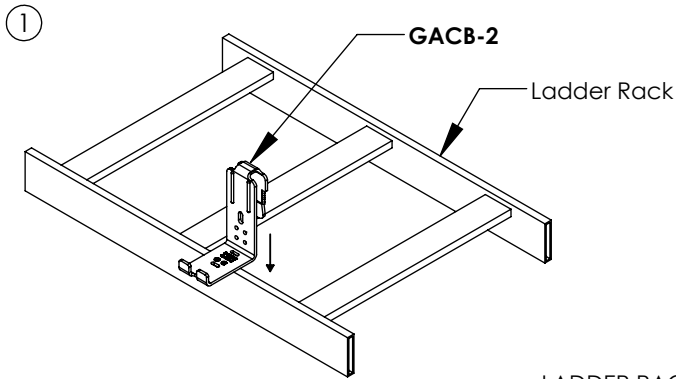


GACB-3

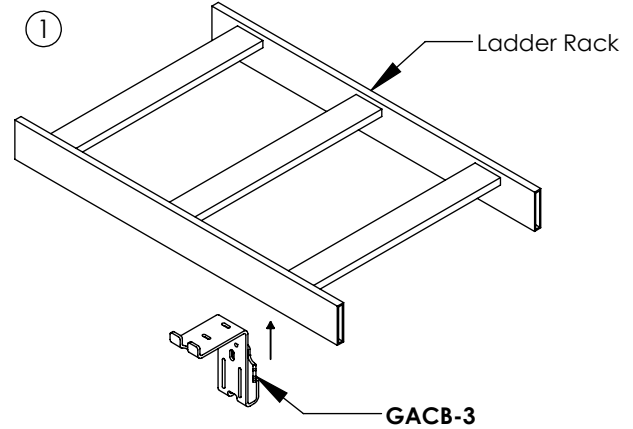
#6 AWG PRE-TERMINATED JUMPERS	
GACBJ68U	8" LENGTH
GACBJ612U	12" LENGTH
GACBJ618U	18" LENGTH



GACB-2 on LADDER RACK

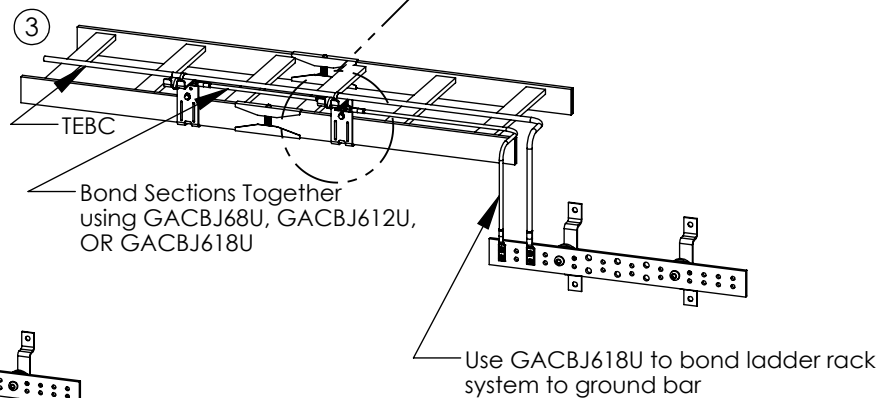
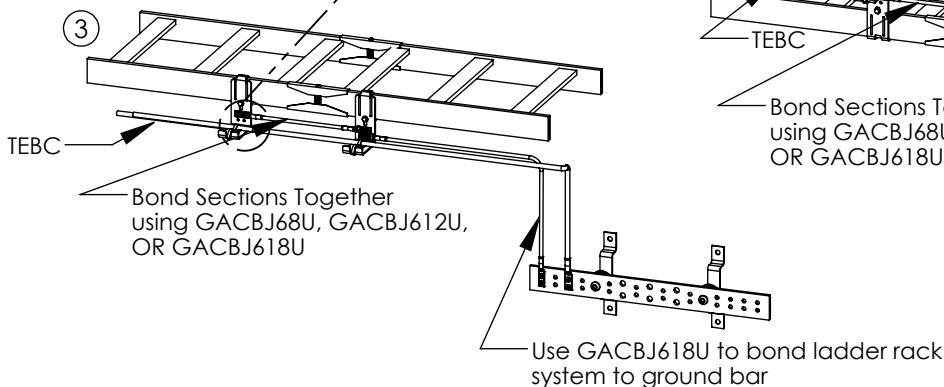
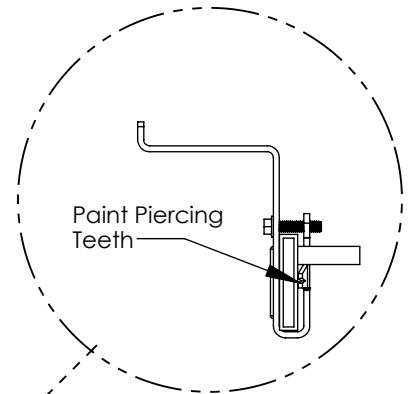
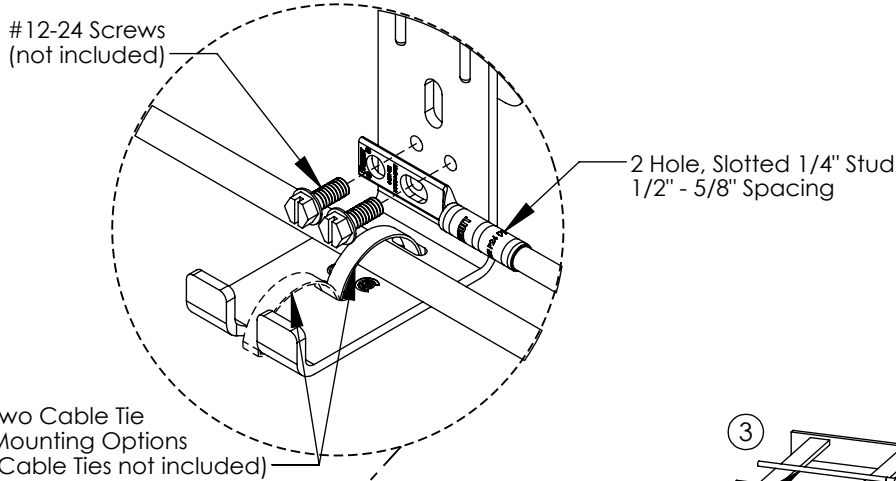
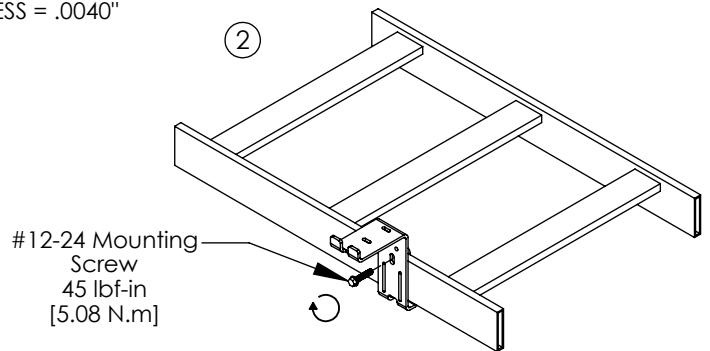
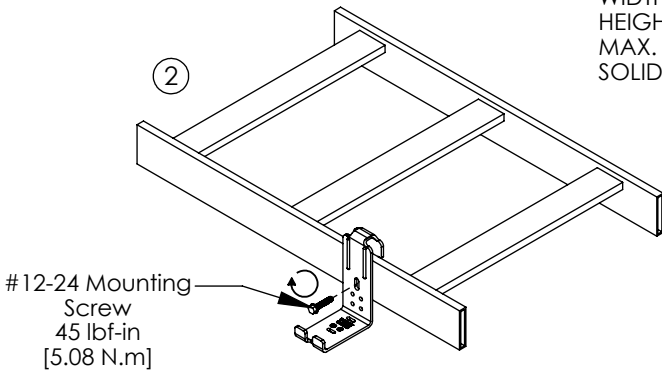


GACB-3 on LADDER RACK



LADDER RACK SPECS.

WIDTH = 3/8"
 HEIGHT = 1-1/2" - 2"
 MAX. PAINT THICKNESS = .0040"
 SOLID OR TUBE



For Instructions in Local Languages and Technical Support:

www.panduit.com/resources/install_maintain.asp

PANDUIT

www.panduit.com

E-mail:
cs@panduit.com

Phone:
 800-777-3300