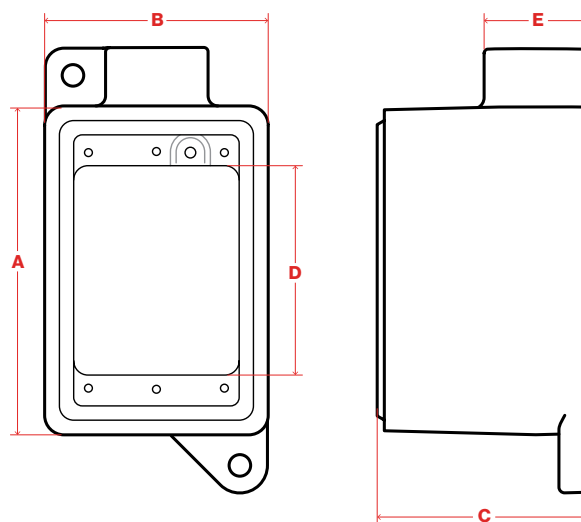


# Device Boxes - FD



Stainless



**FD • Single Gang Deep**

## Description

Robroy Stainless Device Boxes are 316 stainless steel and are used for wiring devices, such as switches and receptacles, act as pull boxes, and connect conduit. Deep-style device boxes are available in 3/4" NPT threaded hubs (single gang) or 1" NPT threaded hubs (two gang). Internal grounding screw is standard on all standard styles.

*Covers sold separately*

## Standards

- cULus Listed
- UL 514A
- C22.2 No. 18.1-13
- UL File Number: E231035

Catalog No.	Description	Weight Each (lbs.)	A Length (in.)	B Width (in.)	C Height (in.)	D Opening Length (in.)	E Hub OD (in.)
RSFD1216	Single Gang Deep Device Box 3/4 Inch 316	3.01	4.56	3.09	2.9	2.93	1.43