

Scaler™ 2x2 Panel

2'X2' EDGE-LIT FLAT PANEL

DATE:	LOCATION:
TYPE:	PROJECT:
CATALOG #:	

FEATURES

- Edge-lit flat panel with options provides a wide variety of configurations to match any application
- Appropriate for offices, schools, medical, and public spaces
- Superior construction provides even light across the face of the fixture
- IC rated
- Suitable for ISO Class 5–9 positive pressure cleanrooms



CONTROLS TECHNOLOGY



SPECIFICATIONS

CONSTRUCTION

- Extruded aluminum frame has a matte white finish and clean frame-to-lens transition

OPTICS

- Acrylic blend light guide with frosted/textured outer lens provides edge to edge illumination without pixelation or bright spots

INSTALLATION

- Integral T-bar clips with holes for seismic wires standard for secure mounting to grid ceiling
- For surface/cable mount applications use surface/cable mount kit accessories
- For plaster or sheet rock installations, use flange kit

ELECTRICAL

- 54,000 hour LEDs at L70 for reduced maintenance

CONTROLS

- NX Lighting Controls provides options for wired or wireless connectivity for NX system deployments

CERTIFICATIONS

- All luminaires are built to UL 1598 standards and bear appropriate cULus labels
- CSA certified to UL 924 standards with battery pack
- Damp location label standard
- Tested in accordance with ISO 14644-1; suitable for ISO Class 5–9 positive and negative pressure clean rooms
- NX is available in U.S., Canada and Mexico. For other locations consult factory
- UL Sanitation certified to NSF 2 Food Equipment standard for non-food zones

CERTIFICATIONS (CONTINUED)

- The DTS, Dimming Bypass Module, is for emergency circuit control loads including sensors and wireless systems UL certified to UL 924. See page 8 for wiring diagram.
- Adheres to LM79, LM80, and TM21 industry standards for photometrics and lifetime calculations

WARRANTY

- 5 year warranty

KEY DATA	
Lumen Range	1492–4746
Wattage Range	13–41
Efficacy Range (LPW)	103–128
Reported Life (Hours)	170/54,000

Scaler™ 2x2 Panel

2'X2' EDGE-LIT FLAT PANEL

DATE:	LOCATION:
TYPE:	PROJECT:
CATALOG #:	

ORDERING GUIDE

Example: SRP22-35LWG-EDU-ELL14-NXE

CATALOG #

SRP22					G			
Model	CRI	Color Temp		Lumen Output		Ceiling	Driver	
SRP22 2' x 2' Scaler™ Panel Edge-Lit	Blank >80	30	3000K	VW	1492-1678	G Grid	ED	0-10V Dimming
		35	3500K	MW	2071-2330		HL	3546-3989
		40	4000K	LW	2643-2973		VL	4218-4746
		50	5000K	See Product Availability Table (next page)				

Voltage	Options	Control Options ¹¹	Accessories
U 120V-277V 347 347V	ELL14 Emergency Battery Pack Installed, 1400 Lumens ^{2,3} ELL14ST Emergency Battery Pack Installed, 1400 Lumens w/ Self Test ^{2,3} ELL14H2 Emergency Battery Pack, 2-Hour Run Time ^{2,3,4} DTS Dimming Bypass Module ^{2,3,5} CP Chicago Plenum GLR Fast Blow Fuse C3xx 3-wire Flex ⁶ C4xx 4-wire Flex ⁶ C5xx 5-wire Flex ⁶	NX Networked – Wired NXE NX Dual RJ45 SmartPORTs, without Sensor ^{2,6,7} NX Networked – Wireless NXW NX Networked Wireless Radio Module NXRM2 and Bluetooth Programming, without Sensor ^{2,6,7}	<input type="checkbox"/> FK22 2x2 Single Flange Kit (Shipped separately) <input type="checkbox"/> PLRTS Remote Test Switch Module ⁸ <input type="checkbox"/> PSMK-22 2x2 Flat Panel Surface Mount Kit ⁹ <input type="checkbox"/> CFPCM36Y SC5F-KIT 36" Cable Mount Kit for 1' or 2' wide Cable Mount fixtures, 5-wire ¹⁰

- Notes:
- Limitations apply based on lumen packages (see Product Exceptions & Details)
 - Not available in 347V
 - For compatibility with Dual-Lite LiteGear® inverters, contact lighting representative
 - Not available for use in Canada
 - For emergency circuit control loads including sensors and wireless systems UL certified to UL 924. See page 6 for wiring diagram

- NX In-Fixture Control Options:**
- For NX control and flex wire together consult factory
 - NX is not available with ESD or LUTH driver options
- Accessory Notes:**
- Use with emergency battery pack
 - Surface mount kit can not be used with NXW options
 - Use of the PSMK-22 is suggested when cable mounting
- All Controls**
- Minimum ambient temperature: 0°C (32°F)
- For questions about configuration options, contact lighting representative

PRODUCT EXCEPTIONS & DETAILS

Driver options listed below are available for the outputs as shown.

	VW	MW	LW	ML	HL	VL
ED	X	X	X	X	X	X
ED1	X	X	X	X	X	X
EDD	X	X	X	X	X	X
ESD	X	X	X	X	X	X
LUTH	X	X	X	X	X	X
347	X	X	X	X	X	X

Scaler™ 2x2 Panel
2'X2' EDGE-LIT FLAT PANEL

DATE: _____ LOCATION: _____
 TYPE: _____ PROJECT: _____
 CATALOG #: _____

CONTROLS

NX Lighting Controls:

Supports both indoor and outdoor applications in a variety of deployment options- wired, wireless, hybrid.
 Integrates with and enables a wide array of luminaires including those with SpectraSync™ Color Tuning Technology.



NX INTEGRATED CONTROLS REFERENCE								
NX Option	Sensor	Networkable	Scheduling	Occupancy	Daylight Harvesting	0-10V Dimming	On/off Control	Bluetooth® App Programming
NX Networked – Wired								
NXE	N/A	Yes	Yes	No	No	Yes	Yes	Requires NXBTC/R ¹
NX Networked – Wireless								
NXW ²	N/A	Yes	Yes	No	No	Yes	Yes	Yes

- 1 NXBTC/R needs to be plugged into an available NX SmartPORT™ on the fixture network
- 2 To program NXW option, need to consult factory. If connected to an area controller, programming can be done from that

DELIVERED LUMENS

Product Availability			
Lumen Package	Lumens	Input Watts	LPW
SRP22-30VW-EDU	1492	13	111
SRP22-35VW-EDU	1554	13	115
SRP22-40VW-EDU	1616	13	120
SRP22-50VW-EDU	1678	13	125
SRP22-30MW-EDU	2071	18	113
SRP22-35MW-EDU	2157	18	118
SRP22-40MW-EDU	2243	18	122
SRP22-50MW-EDU	2330	18	127
SRP22-30LW-EDU	2643	23	114
SRP22-35LW-EDU	2753	23	118
SRP22-40LW-EDU	2863	23	123
SRP22-50LW-EDU	2973	23	128
SRP22-30ML-EDU	3062	30	103
SRP22-35ML-EDU	3190	30	107
SRP22-40ML-EDU	3317	30	111
SRP22-50ML-EDU	3445	30	115
SRP22-30HL-EDU	3546	33	108
SRP22-35HL-EDU	3694	33	112
SRP22-40HL-EDU	3841	33	117
SRP22-50HL-EDU	3989	33	121
SRP22-30VL-EDU	4218	41	104
SRP22-35VL-EDU	4394	41	108
SRP22-40VL-EDU	4570	41	113
SRP22-50VL-EDU	4746	41	117

Scaler™ 2x2 Panel

2'X2' EDGE-LIT FLAT PANEL

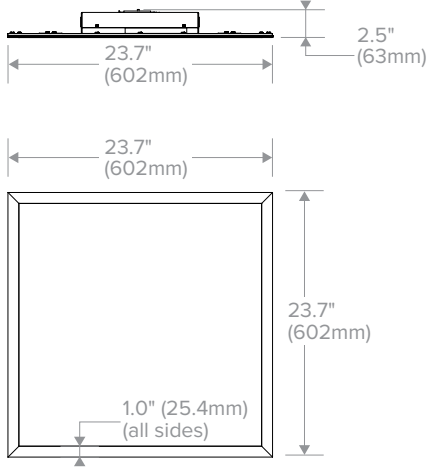
DATE: _____ LOCATION: _____

TYPE: _____ PROJECT: _____

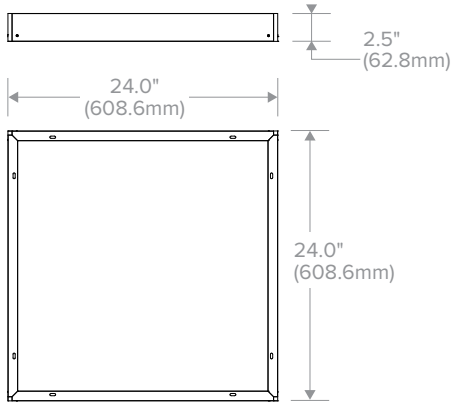
CATALOG #: _____

DIMENSIONS

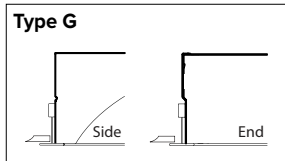
GRID



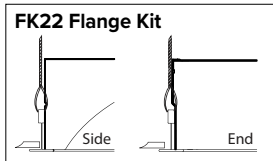
SURFACE MOUNT



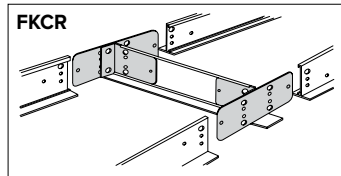
CEILING COMPATIBILITY



For lay-in installation in exposed grid ceilings. Maximum tee widths of 1" and maximum tee heights of 2" allowed.



For hard ceiling applications, order FK22 flange kit. Flange kit wires directly into concealed ceiling opening for a clean, finished appearance.



For flanged fixtures in row configurations, the FKCR adapter bracket kit is required in addition to the FK22 kit. Order one less FKCR than the total number of fixtures in row. (Example: Row of two, order (2) FK22 & (1) FKCR)

Row cut out dimensions using FK22s & FKCR adapters:
Width 24³/₈", Length [24" × (# in row)] + ³/₈".
Example: [24" × 2] + ³/₈" = 48³/₈"

Flange kit cut out dimension for single unit only: 24³/₈" × 24³/₈"

PHOTOMETRY

SRP22-35LW

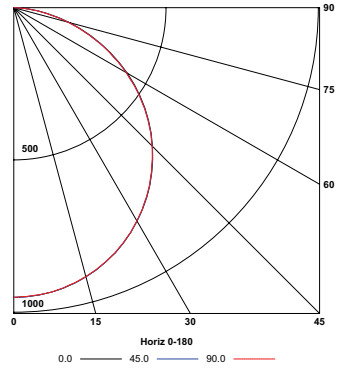
LUMINAIRE DATA

Test No.	19.02119
Description	2' x 2' LED SRP Scaler Panel
Delivered Lumens	2755
Watts	23.28
Efficacy	118
Mounting	Recessed
Spacing Criterion	0° = 1.26 90° = 1.26

ZONAL LUMEN SUMMARY

Zone	Lumens	% Luminaire
0-30	741	26.9
0-40	1216	44.1
0-60	2161	78.5
0-90	2755	100.0
0-180	2755	100.0

POLAR GRAPH



SRP22-35ML

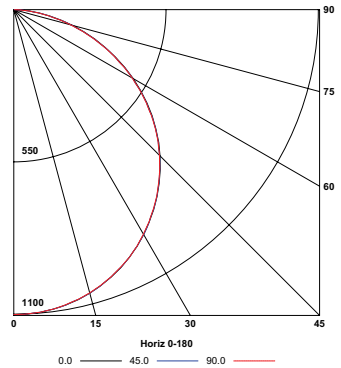
LUMINAIRE DATA

Test No.	19.01989
Description	2' x 2' LED SRP Scaler Panel
Delivered Lumens	3192
Watts	29.83
Efficacy	107
Mounting	Recessed
Spacing Criterion	0° = 1.26 90° = 1.26

ZONAL LUMEN SUMMARY

Zone	Lumens	% Luminaire
0-30	858	26.9
0-40	1409	44.1
0-60	2504	78.5
0-90	3192	100.0
0-180	3192	100.0

POLAR GRAPH



SRP22-35HL

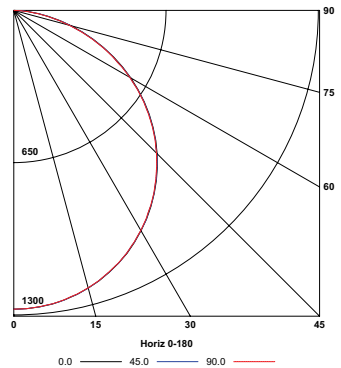
LUMINAIRE DATA

Test No.	19.02070
Description	2' x 2' LED SRP Scaler Panel
Delivered Lumens	3696
Watts	32.86
Efficacy	112
Mounting	Recessed
Spacing Criterion	0° = 1.26 90° = 1.26

ZONAL LUMEN SUMMARY

Zone	Lumens	% Luminaire
0-30	994	26.9
0-40	1631	44.1
0-60	2900	78.5
0-90	3696	100.0
0-180	3696	100.0

POLAR GRAPH



ADDITIONAL INFORMATION

DTS WIRING DIAGRAM (0-10V DIMMING DRIVER SHOWN)

