



UPC: 019813700588

Color: White

Weight: 0.6 lbs

<b>Project:</b>	<b>Type:</b>
<b>Prepared By:</b>	<b>Date:</b>

## Technical Specifications

### Performance

**Product Type:**

A-line Contractor Series

**Description:**

Economical contractor grade A-lamps in convenient pack sizes that eliminate excess waste at the right price.

**Wattage Equivalency:**

60W Incandescent

**Input Wattage:**

8.5W

**Lumens:**

800lm

**Efficacy:**

94lm/W

**L70 Lifespan:**

15,000-Hour LED lifespan based on IES LM-70 results

### Electrical

**THD:**

≤20%

**Power Factor:**

>0.5

**Dimmable:**

No

**Input Voltage:**

120V

**Operating Frequency:**

60 Hz

**Input Current @ 120V (mA):**

166mA

**Operating Temperature:**

-4°F to 113°F (-20°C to 45°C)

### Optical

**Beam Angle:**

230°

### LED Characteristics

**Color Temperature:**

3000K

**Color Accuracy (CRI):**

≥80 CRI

**R9 Value:**

High color performance with R9 no greater than 0

**Color Consistency:**

<7-step MacAdam Ellipse binning to achieve consistent fixture-to-fixture color

### Installation

**Base Type:**

E26 Edison

### Construction

**Finish:**

White

**Bulb Shape:**

A19

**Endcap Material:**

Metal

**Enclosure Material:**

Plastic

**Lens Finish:**

Frosted

### Compliance

**Listings:**

UL Listed

**Environment:**

Suitable for use in dry and damp environments

## Technical Specifications (continued)

**Fixture Rating:**

Suitable for use in enclosed fixtures

**Energy Star Approved:**

This product is ENERGY STAR® Version 2.2 Certified

**Certification Model Number:**

A10099(A19-8.5-E26-830-ND ECO)

**T20 Compliant:**

Not compliant

**California Title 24 JA8 Compliant:**

Not Compliant

**California Energy Commission (CEC) Status:**

Not Lawful for Sales in California

**RoHS:**

Mercury and UV free. RoHS-compliant components.

**FCC:**

Complies with Part 15B of the FCC Rules

**Other**

---

**Warranty:**

RAB warrants that our LED products will be free from defects in materials and workmanship for a period of three (3) years from the date of delivery to the end user, including coverage of light output, color stability, driver performance and fixture finish. RAB's warranty is subject to all terms and conditions found at [rablighting.com/warranty](http://rablighting.com/warranty).

**Note:**

All values are typical (tolerance +/- 10%)

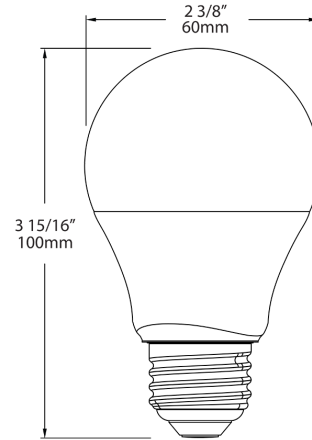
**Buy American Act Compliance:**

RAB values USA manufacturing! Upon request, RAB may be able to manufacture this product to be compliant with the Buy American Act (BAA). Please contact customer service to request a quote for the product to be made BAA compliant.

### Case and Pallet Dimensions

	QTY	LENGTH (in)	WIDTH (in)	HEIGHT (in)
<b>CASE</b>	24	13.5	9.4	5
<b>PALLET</b>	2	42.13	39.37	40.94

### Dimension



### Features

- Energy efficient replacement for incandescent and halogen lamps
- Constructed from durable plastic which lowers risk of breakage
- Rated for use in open fixtures in dry or damp locations
- Frosted lens produces smooth diffuse light
- 6-pack makes it convenient for contractors

### Ordering Matrix

Family	Wattage	Base Type	CRI/Color Temp	Dimmable	Pack	Voltage
A19	8.5	E26	830	ND	6PK	
	8.5 = 8.5W 10 = 10W 13.5 = 13.5W	E26 = E26 Base	850 = 80 CRI, 5000K 840 = 80 CRI, 4000K 830 = 80 CRI, 3000K	ND = Non-Dimmable DIM = Dimmable	6PK = 6 Pack	Blank = 120V