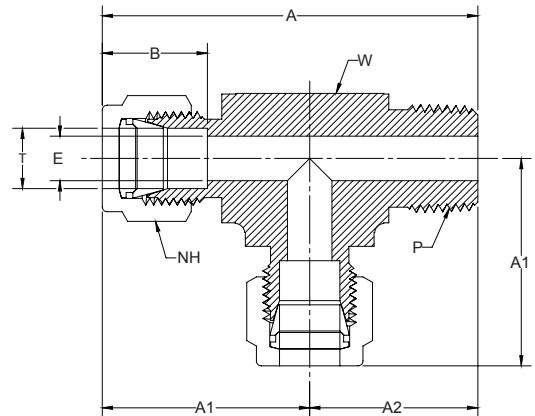
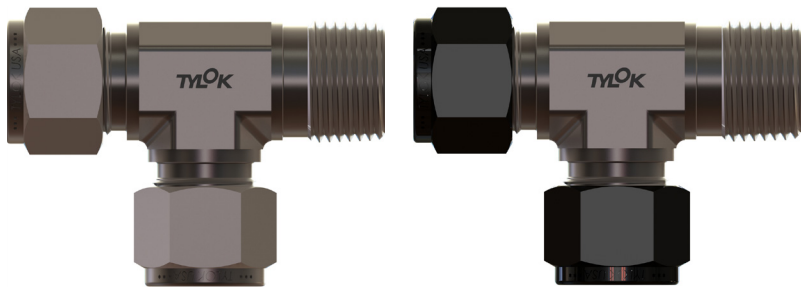


DTMT/STMT

Male Run Tee



| CBC PART NUMBER | INTERCHANGES WITH | | CS PART NUMBER | INTERCHANGES WITH | T TUBE O.D. | P PIPE END NPT | A | A1 | A2 | B | E THRU HOLE | NH NUT HEX | W WRENCH FLAT |
|-----------------|-------------------|----------|----------------|-------------------|-------------|----------------|------|------|------|------|-------------|------------|---------------|
| 2-DTMT-2 | 200-3TMT | 2MRT2N | 2-STMT-2 | 2-2-2 RBZ | 1/8 | 1/8 | 1.72 | 0.98 | 0.74 | 0.52 | 0.09 | 7/16 | 1/2 |
| 2-DTMT-4 | 200-3-4TMT | 2MRT4N | 2-STMT-4 | 2-4-2 RBZ | 1/8 | 1/4 | 1.99 | 1.05 | 0.94 | 0.52 | 0.09 | 7/16 | 5/8 |
| 4-DTMT-2 | 400-3TMT | 4MRT2N | 4-STMT-2 | 4-2-4 RBZ | 1/4 | 1/8 | 1.81 | 1.06 | 0.74 | 0.61 | 0.19 | 9/16 | 1/2 |
| 4-DTMT-4 | 400-3-4TMT | 4MRT4N | 4-STMT-4 | 4-4-4 RBZ | 1/4 | 1/4 | 2.08 | 1.14 | 0.94 | 0.61 | 0.19 | 9/16 | 5/8 |
| 5-DTMT-2 | 500-3TMT | 5MRT2N | 5-STMT-2 | 5-2-5 RBZ | 5/16 | 1/8 | 2.01 | 1.19 | 0.82 | 0.65 | 0.19 | 5/8 | 5/8 |
| 6-DTMT-4 | 600-3TMT | 6MRT4N | 6-STMT-4 | 6-4-6 RBZ | 3/8 | 1/4 | 2.15 | 1.21 | 0.94 | 0.67 | 0.28 | 11/16 | 5/8 |
| 6-DTMT-6 | 600-3-6TMT | 6MRT6N | 6-STMT-6 | 6-6-6 RBZ | 3/8 | 3/8 | 2.38 | 1.32 | 1.06 | 0.67 | 0.28 | 11/16 | 13/16 |
| 8-DTMT-6 | 810-3TMT | 8MRT6N | 8-STMT-6 | 8-6-8 RBZ | 1/2 | 3/8 | 2.48 | 1.42 | 1.06 | 0.90 | 0.41 | 7/8 | 13/16 |
| 8-DTMT-8 | 810-3-8TMT | 8MRT8N | 8-STMT-8 | 8-8-8 RBZ | 1/2 | 1/2 | 2.72 | 1.42 | 1.30 | 0.90 | 0.41 | 7/8 | 13/16 |
| B-8-DTMT-8 | 810-3-8TMT | 8MRT8N | B-8-STMT-8 | 8-8-8 RBZ | 1/2 | 1/2 | 2.95 | 1.57 | 1.38 | 0.90 | 0.41 | 7/8 | 1-1/16 |
| 10-DTMT-8 | 1010-3TMT | 10MRT8N | 10-STMT-8 | 10-8-10 RBZ | 5/8 | 1/2 | 2.94 | 1.57 | 1.38 | 0.96 | 0.47 | 1 | 1-1/16 |
| 12-DTMT-12 | 1210-3TMT | 12MRT12N | 12-STMT-12 | 12-12-12 RBZ | 3/4 | 3/4 | 2.95 | 1.57 | 1.38 | 0.93 | 0.63 | 1-1/8 | 1-1/16 |
| 14-DTMT-6 | - | - | 14-STMT-6 | - | 7/8 | 3/8 | 3.21 | 1.76 | 1.45 | 1.02 | 0.38 | 1-1/4 | 1-3/8 |
| 14-DTMT-8 | - | - | 14-STMT-8 | - | 7/8 | 1/2 | 3.26 | 1.76 | 1.50 | 1.02 | 0.47 | 1-1/4 | 1-3/8 |

Note: Dimensions subject to change, to be used for reference only.