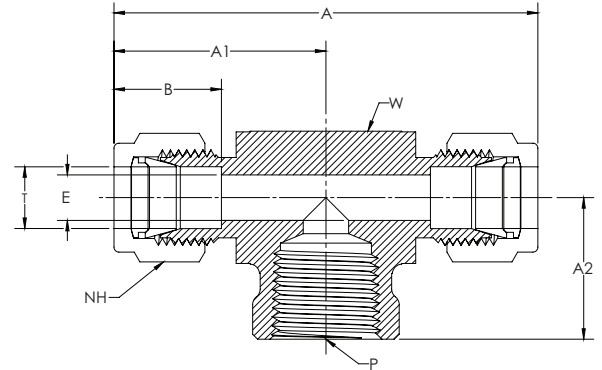
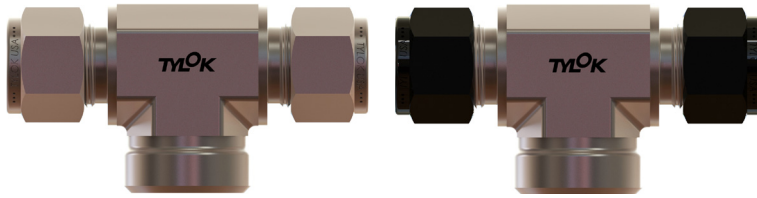


DTTF/STTF

Female Branch Tee

CBC/CS-Lok



CBC PART NUMBER	INTERCHANGES WITH	CS PART NUMBER	INTERCHANGES WITH	T TUBE O.D.	P PIPE END NPT	A	A1	A2	B	E THRU HOLE	NH NUT HEX	W WRENCH FLAT
2-DTTF-2	200-3TTF 2FBT2N	2-STTF-2	2-2-2 OBZ	1/8	1/8	2.12	1.06	0.75	0.52	0.09	7/16	5/8
4-DTTF-2	400-3TTF 4FBT2N	4-STTF-2	4-4-2 OBZ	1/4	1/8	2.28	1.14	0.75	0.61	0.19	9/16	5/8
4-DTTF-4	400-3-4TTF 4FBT4N	4-STTF-4	4-4-4 OBZ	1/4	1/4	2.51	1.25	0.88	0.61	0.19	9/16	13/16
4-DTTF-6	-	4-STTF-6	-	1/4	3/8	2.50	1.25	0.88	0.61	0.19	9/16	13/16
B-4 DTTF-6	-	B-4 STTF-6	-	1/4	3/8	2.78	1.39	1.13	0.61	0.19	9/16	1-1/16
4-DTTF-8	-	4-STTF-8	-	1/4	1/2	2.84	1.42	1.12	0.61	0.19	9/16	1-1/16
5-DTTF-2	-	5-STTF-2	5-5-2 OBZ	5/16	1/8	2.38	1.19	0.75	0.65	0.25	5/8	5/8
6-DTTF-4	600-3TTF 6FBT4N	6-STTF-4	6-6-4 OBZ	3/8	1/4	2.62	1.31	0.88	0.67	0.28	11/16	13/16
6-DTTF-6	600-3-6TTF -	6-STTF-6	-	3/8	3/8	2.62	1.31	0.88	0.67	0.28	11/16	13/16
B-6-DTTF-6	B-600-3-6TTF -	B-6-STTF-6	-	3/8	3/8	2.84	1.42	1.12	0.67	0.28	11/16	1-1/16
6-DTTF-8	600-3-8TTF -	6-STTF-8	-	3/8	1/2	2.84	1.42	1.12	0.67	0.28	11/16	1-1/16
8-DTTF-4	810-3-4TTF 8FBT4N	8-STTF-4	8-8-4 OBZ	1/2	1/4	2.84	1.42	0.88	0.90	0.41	7/8	13/16
8-DTTF-6	810-3TTF 8FBT6N	8-STTF-6	8-8-6 OBZ	1/2	3/8	2.84	1.42	0.88	0.90	0.41	7/8	13/16
B-8-DTTF-6	810-3TTF 8FBT6N	B-8-STTF-6	8-8-6 OBZ	1/2	3/8	3.14	1.57	1.13	0.90	0.41	7/8	1-1/16
8-DTTF-8	810-3-8TTF 8FBT8N	8-STTF-8	8-8-8 OBZ	1/2	1/2	3.14	1.57	1.13	0.90	0.41	7/8	1-1/16
10-DTTF-8	1010-3TTF 10FBT8N	10-STTF-8	10-10-8 OBZ	5/8	1/2	3.14	1.57	1.13	0.96	0.50	1	1-1/16
12-DTTF-12	1210-3TTF 12FBT12N	12-STTF-12	12-12-12 OBZ	3/4	3/4	3.52	1.76	1.25	0.96	0.63	1-1/8	1-3/8
14-DTTF-6	-	14-STTF-6	-	7/8	3/8	3.52	1.76	1.25	1.02	0.72	1-1/4	1-3/8
14-DTTF-12	-	14-STTF-12	14-14-12 OBZ	7/8	3/4	3.52	1.76	1.25	1.02	0.72	1-1/4	1-3/8
16-DTTF-12	1610-3-12TTF 16FBT12N	16-STTF-12	16-16-12 OBZ	1	3/4	3.88	1.94	1.25	1.24	0.88	1-1/2	1-3/8
16-DTTF-16	1610-3TTF 16FBT16N	16-STTF-16	16-16-16 OBZ	1	1	4.24	2.12	1.50	1.24	0.88	1-1/2	1-5/8

Note: Dimensions subject to change, to be used for reference only.