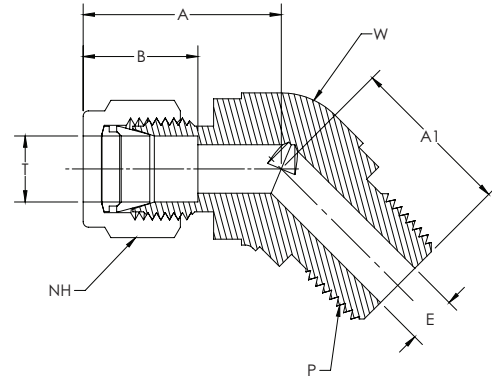


DME45/SME45

Male 45° Elbow

CBC/CS-Lok



| CBC PART NUMBER | INTERCHANGES WITH | | CS PART NUMBER | INTERCHANGES WITH | | T TUBE O.D. | P PIPE END NPT | A | A1 | B | E THRU HOLE | NH NUT HEX | W WRENCH FLAT |
|-----------------|-------------------|---------|----------------|-------------------|--|-------------|----------------|------|------|------|-------------|------------|---------------|
| 4-DME45-2 | 400-5-2 | 4MVEL2N | 4-SME45-2 | 4-2 VBZ | | 1/4 | 1/8 | 0.97 | 0.65 | 0.61 | 0.19 | 9/16 | 1/2 |
| 4-DME45-4 | 400-5-4 | 4MVEL4N | 4-SME45-4 | 4-4 VBZ | | 1/4 | 1/4 | 0.97 | 0.83 | 0.61 | 0.19 | 9/16 | 1/2 |
| 6-DME45-4 | 600-5-4 | 6MVEL4N | 6-SME45-4 | 6-4 VBZ | | 3/8 | 1/4 | 1.11 | 0.90 | 0.67 | 0.28 | 11/16 | 5/8 |
| 6-DME45-6 | 600-5-6 | 6MVEL6N | 6-SME45-6 | 6-6 VBZ | | 3/8 | 3/8 | 1.15 | 0.95 | 0.67 | 0.28 | 11/16 | 13/16 |
| 8-DME45-8 | 810-5-8 | - | 8-SME45-8 | - | | 1/2 | 1/2 | 1.26 | 1.14 | 0.90 | 0.41 | 7/8 | 13/16 |

Note: Dimensions subject to change, to be used for reference only.