
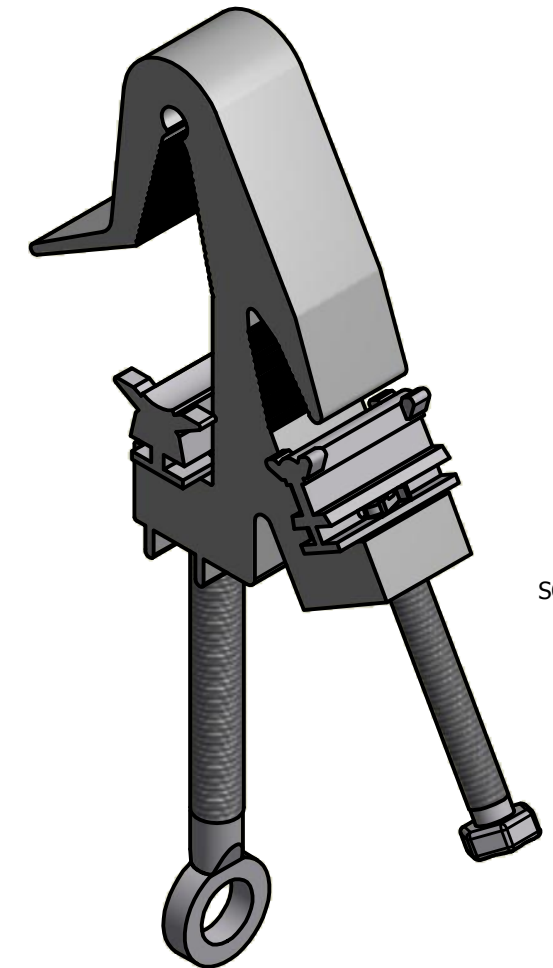
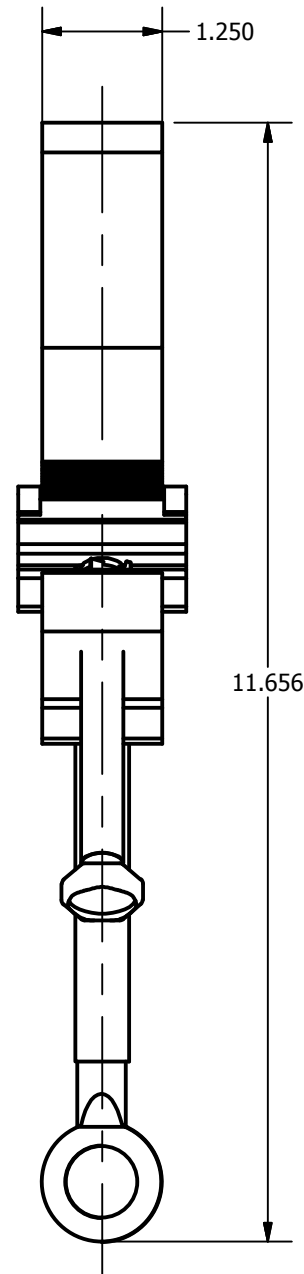
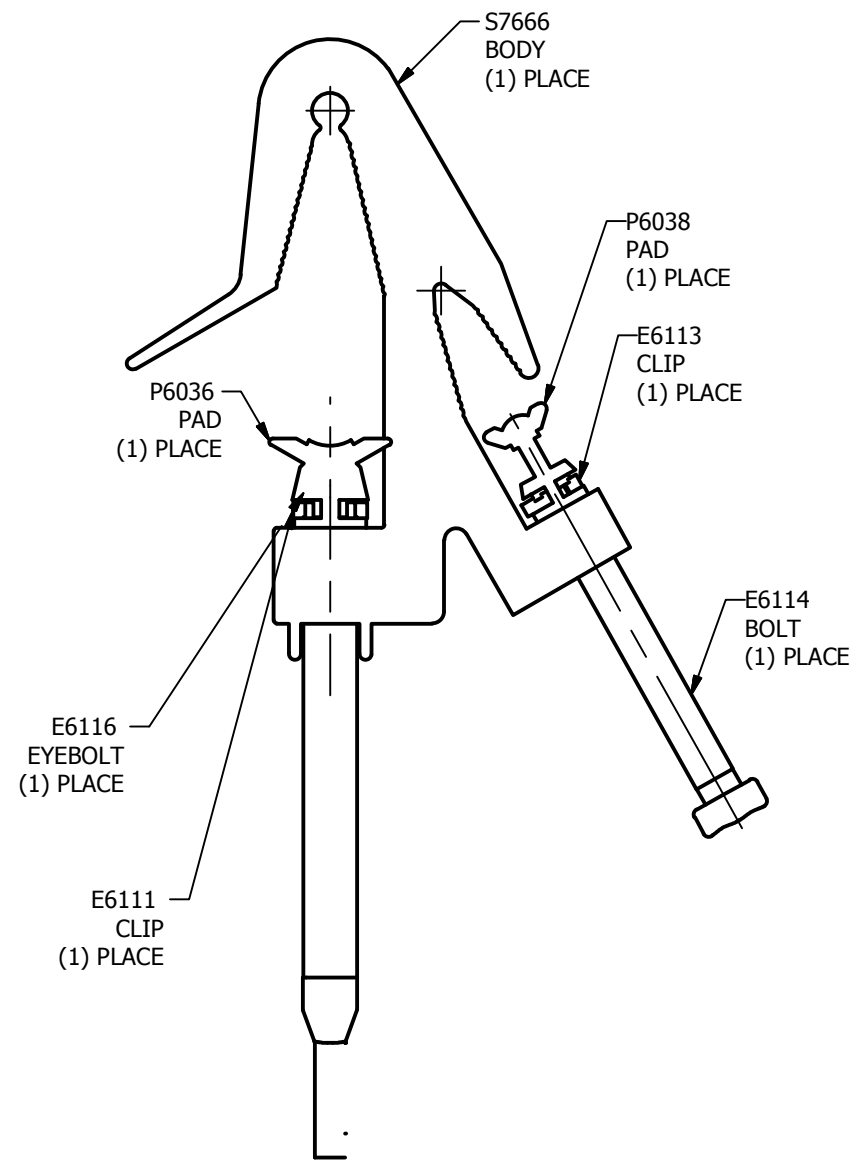
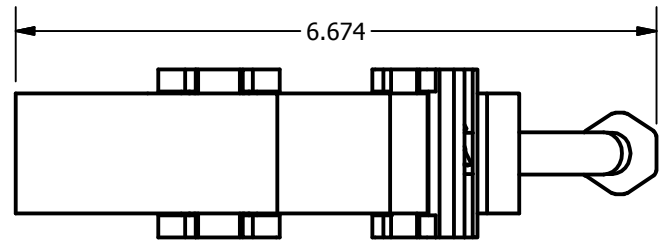


SCREW: SEE DWG	MATERIAL: NONE	REV: J	 800-776-9775 www.ilSCO.com
CAT. NO.: SCH-63640	PLATING: NONE	DRAWN BY: CLH SCALE:	
INFORMATION SHEET: FORM 129	MARKING: UTILCO, SCH-63640, AL-CU, PATENTED, MAIN 636AA-336, TAP 4/0-1/0	DATE: 9/11/2008 SIZE: B	
			DWG NO: M7952
			SHEET: 1 OF 1



SCALE 1 / 2