



Shakespeare

A valmont BRAND

HISTORICAL SERIES



Washington Style, 13.5" Anchor Base and Direct Burial

THE HISTORICAL SERIES

Washington

Distinctive, classical beauty

Virtually maintenance free, durable fiberglass reinforced composite

One-piece construction

Smooth or fluted, tapered shafts

Standard or custom finishes and colors

Standard, special, premium, and architectural colors available, or any color can be matched

Gloss or semi-gloss finishes standard; custom finishes available

Mounting heights up to 11.75 feet

Superior wind, loading, and environmental tolerance

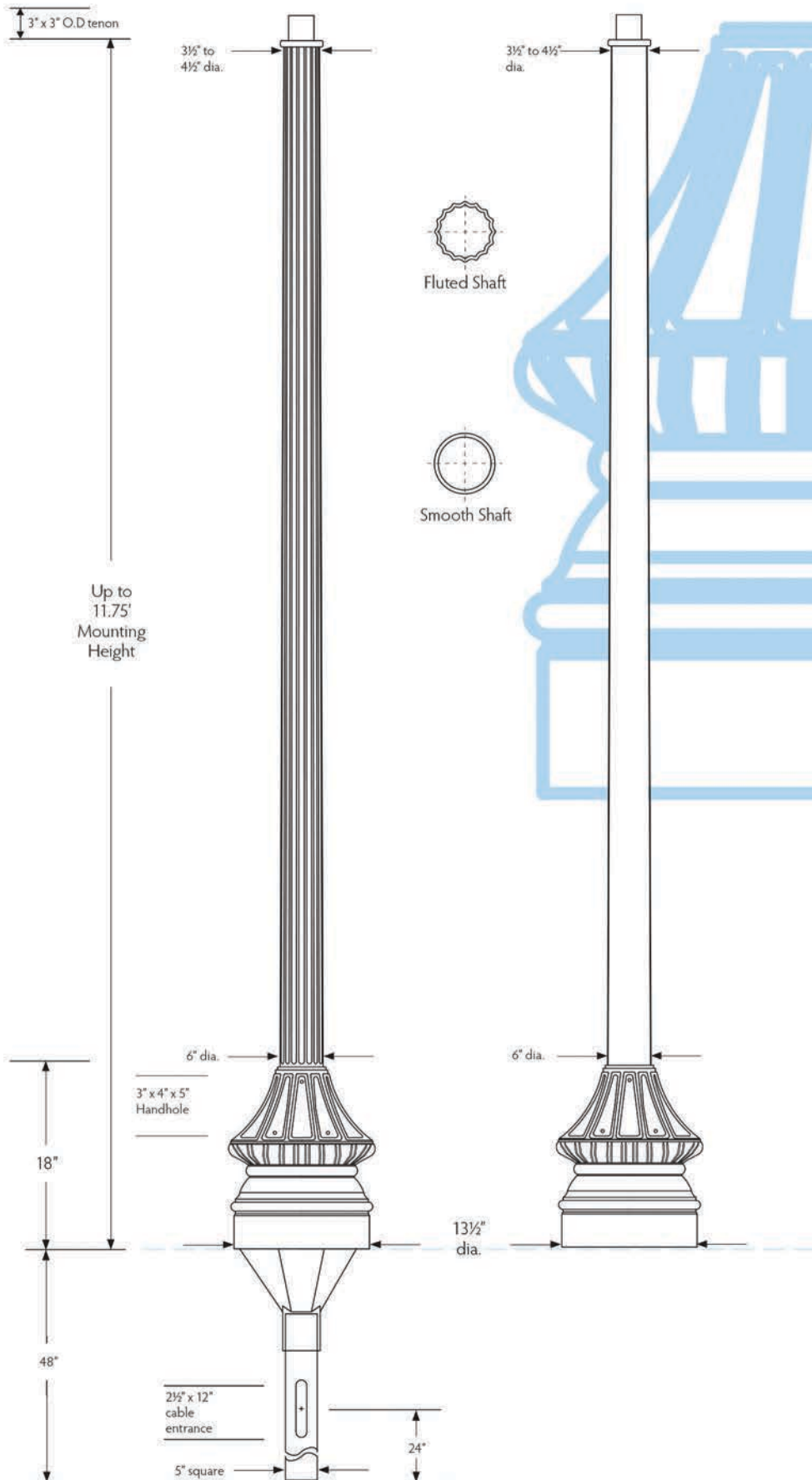
Non-conductive for safety

Molded-in color

UV and weather resistant polyurethane coating

Standard 3" x 3" dia. aluminum tenon for luminaire mounting

Anchor Base or Direct Burial

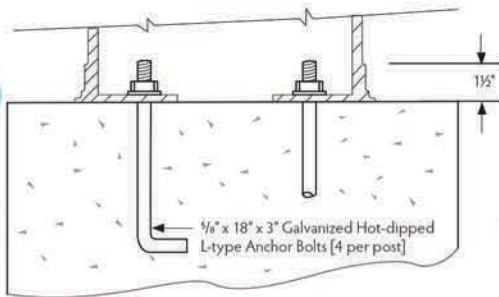


AP13 and BP13

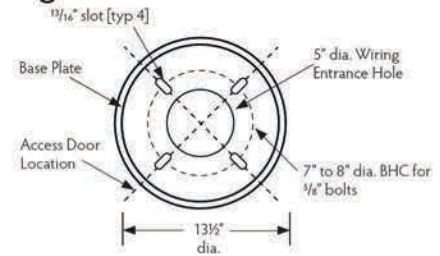
Washington, 13.5" Anchor and Direct Burial Base

All dimensions and specifications nominal, and subject to change without notice or obligation. Please contact factory before site preparation begins.

Suggested Anchorage Detail (Anchor Base)



Washington Anchor Bolt Pattern Detail



OPTIONS

3-Bolt Base or optional **Bolt Circle**: contact factory. Weatherproof receptacle mounted 9" from top of pole, 90° clockwise from handhole: add "W1" to the catalog number.

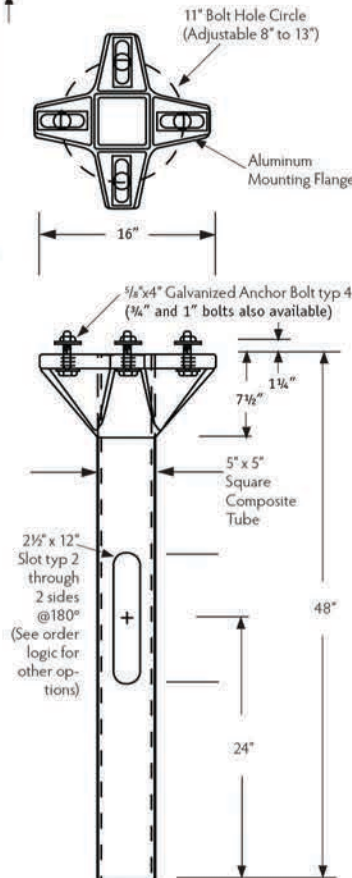
Weatherproof receptacle mounted 18" from the top of the base on the shaft, 90° clockwise to the handhole: add "W2" to the catalog number. For other receptacle options, specify or contact factory.

Banner arms, flag brackets, luminaires, and other attachments are available. Contact factory.

Decorative Twin Fixture Crossarm (Catalog number A-30) add "A1" to pole catalog number. See Arms and Brackets, Section C in this catalog, for other decorative twin arms.

Detachable Composite Burial Foot permits direct burial of foot prior to mounting. See Burial Foot brochure for specifications and catalog numbers.

Optional Composite Burial Foot



Catalog Numbers for Washington Style 13.5"

Base Type A=Anchor Base B=Direct Burial Style P=Washington	Shaft Type F=Fluted S=Smooth	Color 1=Black 2=Gray 3=Brown 4=Dk Green 5=Dk Bronze 6=Silver 7=White 9=Specify*	Options (See "Options" above)																		
AP13	- 11	F	G 1 1																		
Base Dia. (in.) 13.5" dia.	Mounting Height (ft.) up to 11.75	Finish G=Gloss S=Semi-gloss	Direct Burial Conduit Entrance (use "1" for Anchor Base) Location from bottom of pole																		
			<table border="1"> <thead> <tr> <th></th> <th>1 ea. 2"x12"</th> <th>2 ea. 2"x12" @ 180°</th> </tr> </thead> <tbody> <tr> <td>None</td> <td>1</td> <td>1</td> </tr> <tr> <td>12"</td> <td>2</td> <td>3</td> </tr> <tr> <td>18"</td> <td>4</td> <td>5</td> </tr> <tr> <td>24"</td> <td>6</td> <td>7</td> </tr> <tr> <td>Other (specify)</td> <td>0</td> <td>0</td> </tr> </tbody> </table>		1 ea. 2"x12"	2 ea. 2"x12" @ 180°	None	1	1	12"	2	3	18"	4	5	24"	6	7	Other (specify)	0	0
	1 ea. 2"x12"	2 ea. 2"x12" @ 180°																			
None	1	1																			
12"	2	3																			
18"	4	5																			
24"	6	7																			
Other (specify)	0	0																			

*Standard, premium, and architectural colors are available. See Shakespeare Color Palette brochure.

How to Specify

Description: The pole shaft and base (and internal mounting flange) shall all be molded of non-corroding fiberglass reinforced composite, pigmented throughout, and finished in the same color as specified. The (fluted) shafts shall be tapered and formed with 16 flutes separated by semi-flat ribs. The (smooth) shafts shall be filament wound with a smooth, tapered surface. The base shall be shaped similar to Shakespeare Washington style AP13 (anchor base) / BP13 (direct burial).

Dimensions: The pole shall be (up to 11.75) feet mounting height with a 13.5-inch diameter base. A 3" diameter by 3" high aluminum tenon shall be provided for luminaire mounting. (Direct Burial) The direct burial foundation shall be 48" overall length and provided with a 2.5" x 12" conductor entrance centered 24" from the bottom of the direct burial base (see order logic for other options). (Anchor Base) The internal mounting flange shall be provided with four 13/16" slots to accommodate 4 anchor bolts 5/8" x 18" x 3" in a 7" to 8" bolt circle.

Construction: The shaft shall be round with a uniform taper along the fluted (smooth) shaft. A handhole with a weather resistant cover shall be provided in the base for wiring access (if anchor base) and anchorage. The opening shall be no smaller than 3" wide at the top by 4" at the bottom by 5" high. The cover shall be made of fiberglass reinforced composite and shall bear the manufacturer's name. The cover shall be attached with 2 stainless steel flat countersunk hex socket head screws. Threaded inserts shall be incorporated in the pole base.

The (anchor base) mounting flange shall be molded in one piece of fiberglass reinforced composite with a minimum thickness of 1/2" and shall be permanently bonded flush to the bottom of the base. Each pole shall be finished with a (glossy / semi-gloss) weather resistant polyurethane having a minimum dry film thickness of 1.5 mils.

(Add "Performance and Testing Requirements" from the Specification Data sheet on page 3.)

EPA Rating

Washington P13 style poles are engineered to withstand at least 100 mph wind forces, with luminaires up to 6.2 EPA (sq. ft.) weighing up to 150 pounds. Many Other loading options are available. For other loading requirements, contact the factory.



Washington Style, 17" Anchor Base and Direct Burial

THE HISTORICAL SERIES

Washington

Distinctive, classical beauty

Virtually maintenance free, durable fiberglass reinforced composite

One-piece construction

Smooth or fluted, tapered shafts

Standard or custom finishes and colors

Standard, special, premium, and architectural colors available, or any color can be matched

Gloss or semi-gloss finishes standard; custom finishes available

Mounting heights of 9, 12, or 14 feet; custom heights to 20 feet

Superior wind, loading, and environmental tolerance

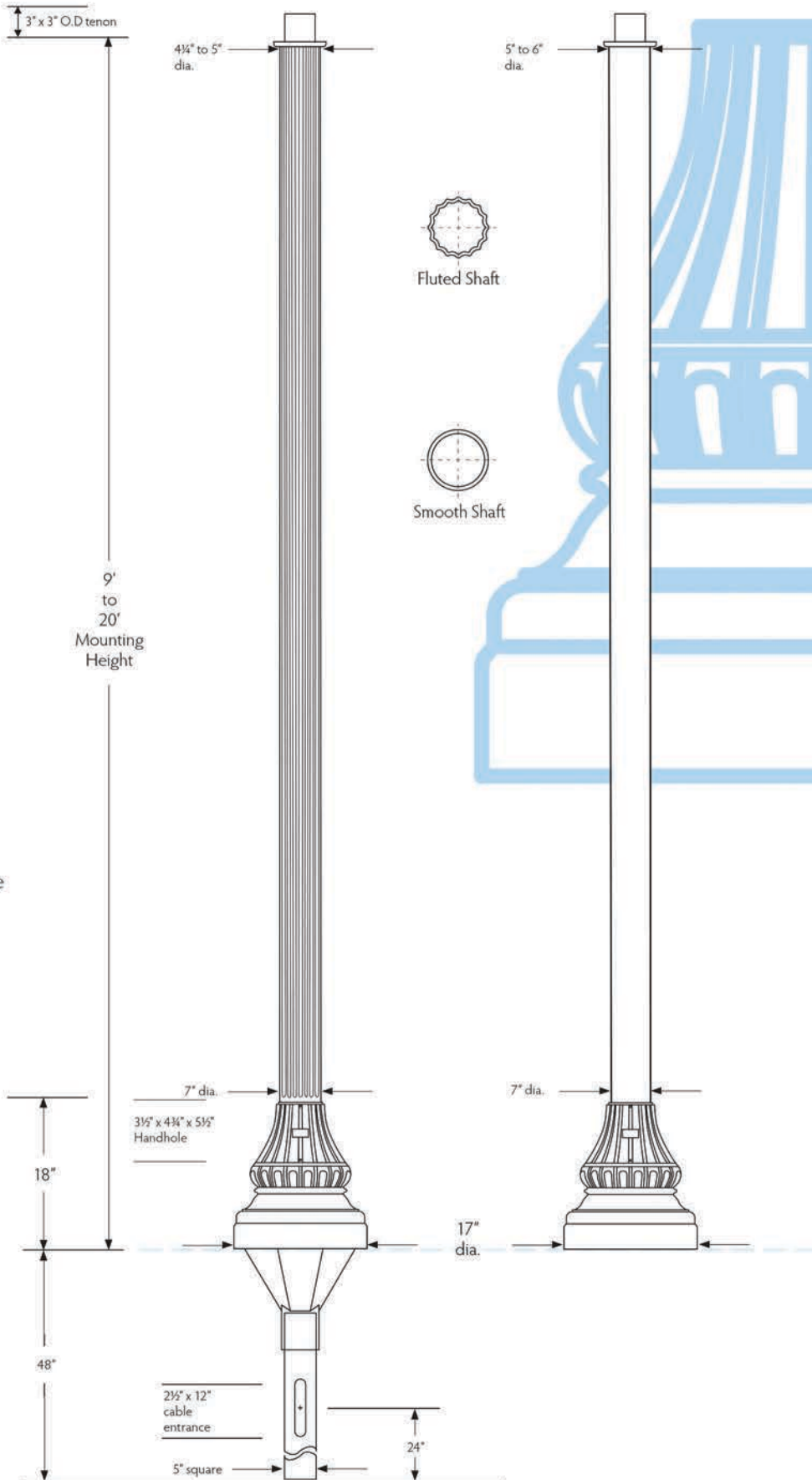
Non-conductive for safety

Molded-in color

UV and weather resistant polyurethane coating

Standard 3" x 3" dia. aluminum tenon for luminaire mounting

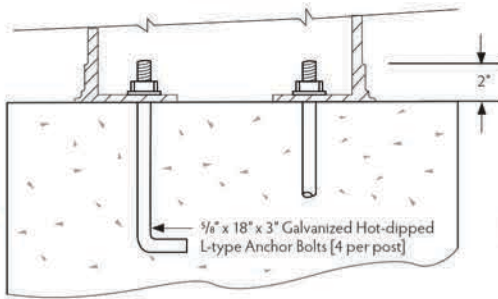
Anchor Base or Direct Burial



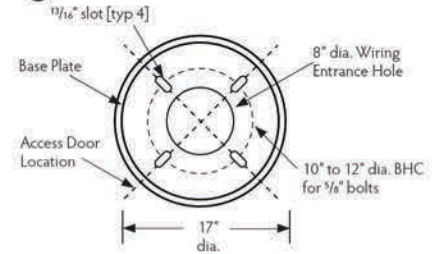
AP17 and BP17 Washington, 17" Anchor and Direct Burial Base

All dimensions and specifications nominal, and subject to change without notice or obligation. Please contact factory before site preparation begins.

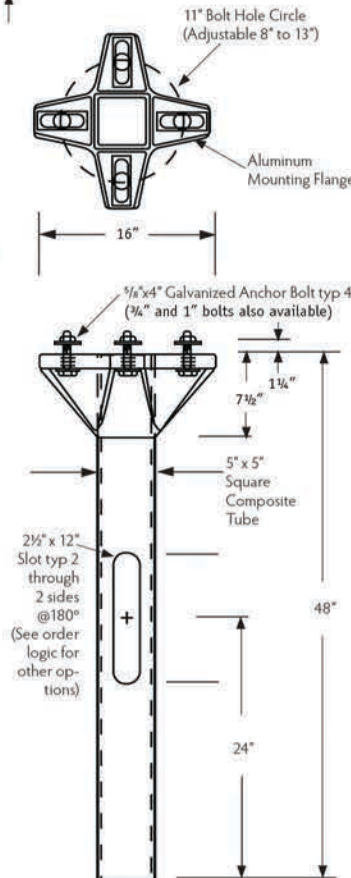
Suggested Anchorage Detail (Anchor Base)



Washington Anchor Bolt Pattern Detail



Optional Composite Burial Foot



OPTIONS

3-Bolt Base or optional **Bolt Circle**: contact factory. Weatherproof receptacle mounted 9" from top of pole, 90° clockwise from handhole: add "W1" to the catalog number.

Weatherproof receptacle mounted 18" from the top of the base on the shaft, 90° clockwise to the handhole: add "W2" to the catalog number. For other receptacle options, specify or contact factory.

Banner arms, flag brackets, luminaires, and other attachments are available. Contact factory.

Decorative Twin Fixture Crossarm (Catalog number A-30) add "A1" to pole catalog number. See Arms and Brackets, Section C in this catalog, for other decorative twin arms.

Detachable Composite Burial Foot permits direct burial of foot prior to mounting. See Burial Foot brochure for specifications and catalog numbers.

How to Specify

Description: The pole shaft and base (and internal mounting flange) shall all be molded of non-corroding fiberglass reinforced composite, pigmented throughout, and finished in the same color as specified. The (fluted) shafts shall be tapered and formed with 16 flutes separated by semi-flat ribs. The (smooth) shafts shall be filament wound with a smooth, tapered surface. The base shall be shaped similar to Shakespeare Composite Structures Washington style AP17 (anchor base) / BP17 (direct burial).

Dimensions: The pole shall be 9 to 20 feet mounting height with a 17-inch diameter base. A 3" diameter by 3" high aluminum tenon shall be provided for luminaire mounting. (Direct Burial) The direct burial foundation shall be 48" overall length and provided with a 2.5" x 12" conductor entrance centered 24" from the bottom of the direct burial base (see order logic for other options). (Anchor Base) The internal mounting flange shall be provided with four 11/16" slots to accommodate 4 anchor bolts 5/8" x 18" x 3" in a 10" to 12" bolt circle.

Construction: The shaft shall be round with a uniform taper along the fluted (smooth) shaft. A handhole with a weather resistant cover shall be provided in the base for wiring access (if anchor base) and anchorage. The opening shall be no smaller than 3.5" wide at the top by 4.75" at the bottom by 5.5" high. The cover shall be made of fiberglass reinforced composite and shall bear the manufacturer's name. The cover shall be attached with 2 stainless steel flat countersunk hex socket head screws. Threaded inserts shall be incorporated in the pole base.

The (anchor base) mounting flange shall be molded in one piece of fiberglass reinforced composite with a minimum thickness of 1/2" and shall be permanently bonded flush to the bottom of the base. Each pole shall be finished with a (glossy / semi-gloss) weather resistant polyurethane having a minimum dry film thickness of 1.5 mils.

(Add "Performance and Testing Requirements" from the Specification Data sheet on page 3.)

Catalog Numbers for Washington Style 17"

Base Type A=Anchor Base B=Direct Burial Style P=Washington	Shaft Type F=Fluted S=Smooth	Color 1=Black 2=Gray 3=Brown 4=Dk Green 5=Dk Bronze 6=Silver 7=White 9=Specify*	Options (See "Options" above)
---	---	--	---

AP17 - 12 F G 1 1

Base Dia. (in.)
17" dia.

Mounting Height (ft.)
9 to 20

Finish
G=Gloss
S=Semi-gloss

Direct Burial Conduit Entrance (use "1" for Anchor Base) Location from bottom of pole	1 ea.		2 ea.	
	2"x12"	2"x12" @ 180°	2"x12"	2"x12" @ 180°
None	1	1		
12"	2	3		
18"	4	5		
24"	6	7		
Other (specify)	0	0		

*Standard, premium, and architectural colors are available. See Tuff-Pole® Color Palette brochure.

EPA Rating

Washington P17 style poles are engineered to withstand at least 100 mph wind forces, with luminaires up to 6.2 EPA (sq. ft.) weighing up to 150 pounds. Many Other loading options are available. For other loading requirements, contact the factory.



Washington Style, 20" Anchor Base and Direct Burial

THE HISTORICAL SERIES

Washington

Distinctive, classical beauty

Virtually maintenance free, durable fiberglass reinforced composite

One-piece construction

Smooth or fluted, tapered shafts

Standard or custom finishes and colors

Standard, special, premium, and architectural colors available, or any color can be matched

Gloss or semi-gloss finishes standard; custom finishes available

Mounting heights of 9.5, 12, or 14.5 feet; custom heights to 20 feet

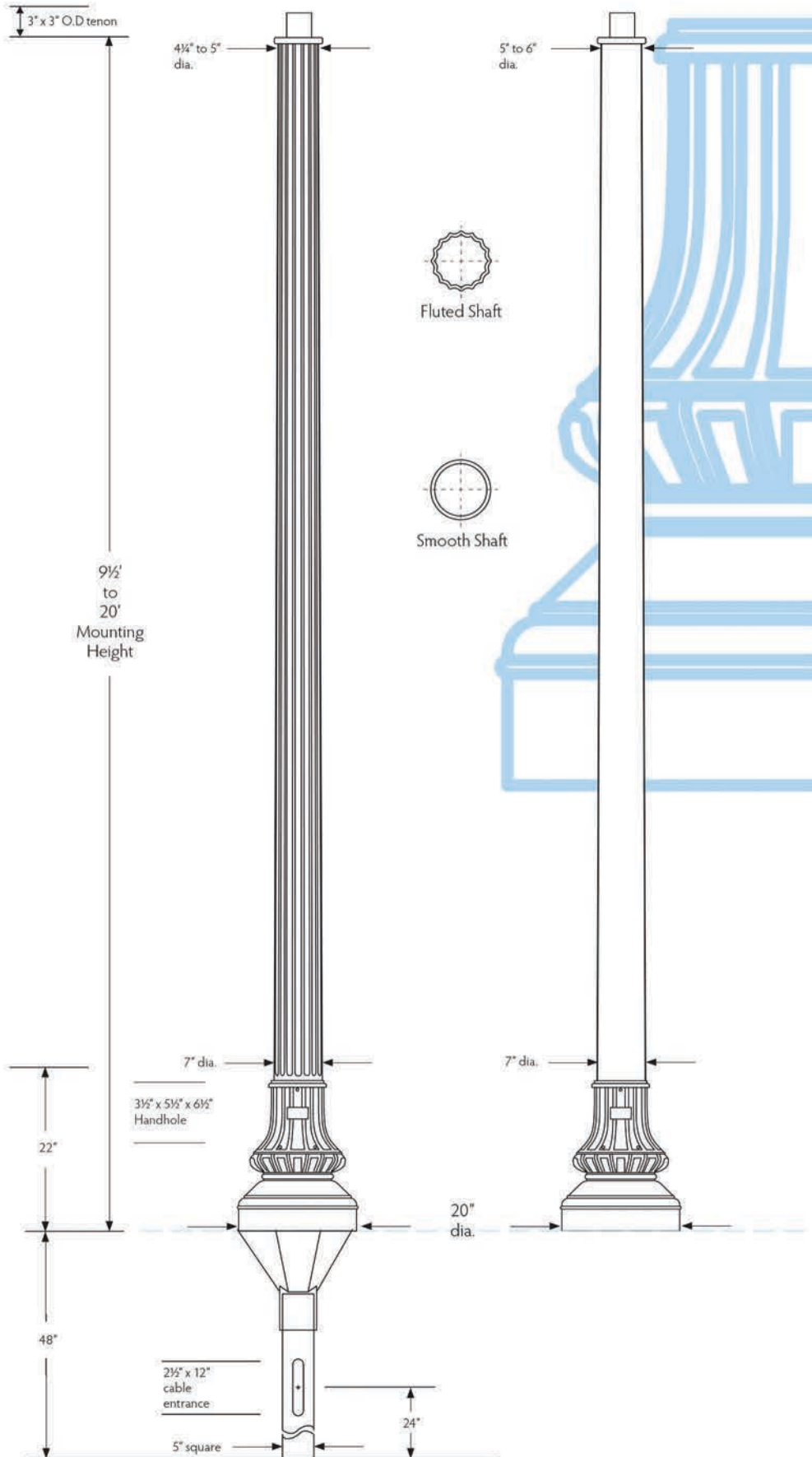
Superior wind, loading, and environmental tolerance

Non-conductive for safety

Molded-in color; UV and weather resistant polyurethane coating

Standard 3" x 3" dia. aluminum tenon for luminaire mounting

Anchor Base or Direct Burial

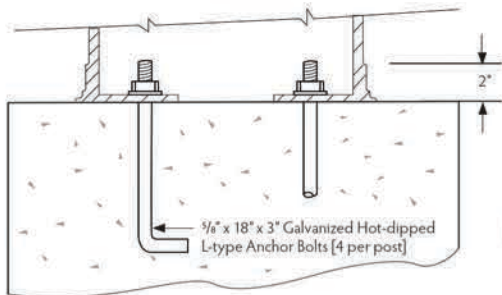


AP20 and BP20

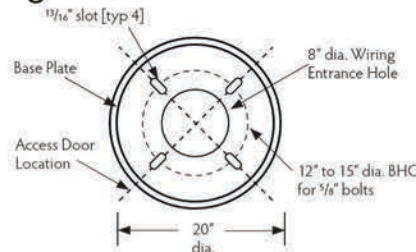
Washington, 20" Anchor and Direct Burial Base

All dimensions and specifications nominal, and subject to change without notice or obligation. Please contact factory before site preparation begins.

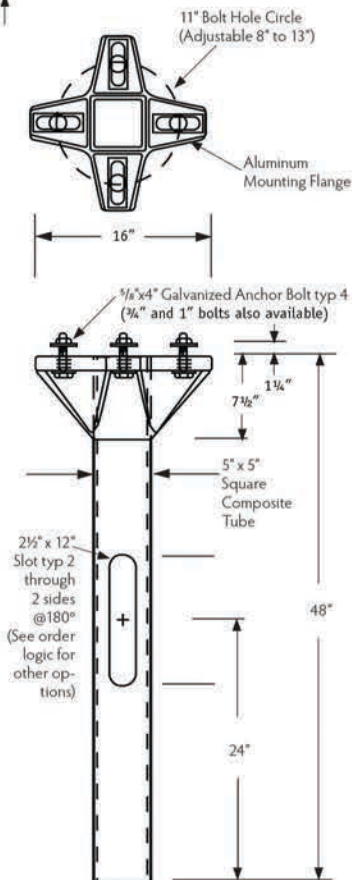
Suggested Anchorage Detail (Anchor Base)



Washington Anchor Bolt Pattern Detail



Optional Composite Burial Foot



OPTIONS

3-Bolt Base or optional **Bolt Circle**: contact factory.

Weatherproof receptacle mounted 9" from top of pole, 90° clockwise from handhole: add "W1" to the catalog number.

Weatherproof receptacle mounted 18" from the top of the base on the shaft, 90° clockwise to the handhole: add "W2" to the catalog number. For other receptacle options, specify or contact factory.

Banner arms, flag brackets, luminaires, and other attachments are available. Contact factory.

Decorative Twin Fixture Crossarm (Catalog number A-30) add "A1" to pole catalog number. See Arms and Brackets, Section C in this catalog, for other decorative twin arms.

Detachable Composite Burial Foot permits direct burial of foot prior to mounting. See Burial Foot brochure for specifications and catalog numbers.

How to Specify

Description: The pole shaft and base (and internal mounting flange) shall all be molded of non-corroding fiberglass reinforced composite, pigmented throughout, and finished in the same color as specified. The (fluted) shafts shall be tapered and formed with 16 flutes separated by semi-flat ribs. The (smooth) shafts shall be filament wound with a smooth, tapered surface. The base shall be shaped similar to Shakespeare Composite Structures Washington style AP20 (anchor base) / BP20 (direct burial).

Dimensions: The pole shall be 9½ to 20 feet mounting height with a 20-inch diameter base. A 3" diameter by 3" high aluminum tenon shall be provided for luminaire mounting. (Direct Burial) The direct burial foundation shall be 48" overall length and provided with a 2.5" x 12" conductor entrance centered 24" from the bottom of the direct burial base (see order logic for other options). (Anchor Base) The internal mounting flange shall be provided with four 13/16" slots to accommodate 4 anchor bolts 5/8" x 18" x 3" in a 12" to 15" bolt circle.

Construction: The shaft shall be round with a uniform taper along the fluted (smooth) shaft. A handhole with a weather resistant cover shall be provided in the base for wiring access (if anchor base) and anchorage. The opening shall be no smaller than 3.5" wide at the top by 5.5" at the bottom by 6.5" high. The cover shall be made of fiberglass reinforced composite and shall bear the manufacturer's name. The cover shall be attached with 3 stainless steel flat countersunk hex socket head screws. Threaded inserts shall be incorporated in the pole base.

The (anchor base) mounting flange shall be molded in one piece of fiberglass reinforced composite with a minimum thickness of ½" and shall be permanently bonded flush to the bottom of the base. Each pole shall be finished with a (glossy / semi-gloss) weather resistant polyurethane having a minimum dry film thickness of 1.5 mils.

(Add "**Performance and Testing Requirements**" from the Specification Data sheet on page 3.)

Catalog Numbers for Washington Style 20"

Base Type A=Anchor Base B=Direct Burial Style P=Washington	Shaft Type F=Fluted S=Smooth	Color 1=Black 2=Gray 3=Brown 4=Dk Green 5=Dk Bronze 6=Silver 7=White 9=Specify*	Options (See "Options" above)
---	---	--	---

AP20 - 12 F G 1 1

Base Dia. (in.) 20" dia.	Mounting Height (ft.) 9.5 to 20	Finish G=Gloss S=Semi-gloss	Direct Burial Conduit Entrance (use "1" for Anchor Base) Location from bottom of pole																		
			<table border="1"> <tr> <td></td> <td>1 ea. 2"x12"</td> <td>2 ea. 2"x12" @ 180°</td> </tr> <tr> <td>None</td> <td>1</td> <td>1</td> </tr> <tr> <td>12"</td> <td>2</td> <td>3</td> </tr> <tr> <td>18"</td> <td>4</td> <td>5</td> </tr> <tr> <td>24"</td> <td>6</td> <td>7</td> </tr> <tr> <td>Other (specify)</td> <td>0</td> <td>0</td> </tr> </table>		1 ea. 2"x12"	2 ea. 2"x12" @ 180°	None	1	1	12"	2	3	18"	4	5	24"	6	7	Other (specify)	0	0
	1 ea. 2"x12"	2 ea. 2"x12" @ 180°																			
None	1	1																			
12"	2	3																			
18"	4	5																			
24"	6	7																			
Other (specify)	0	0																			

*Standard, premium, and architectural colors are available. See Tuff-Pole® Color Palette brochure.

EPA Rating

Washington P20 style poles are engineered to withstand at least 100 mph wind forces, with luminaires up to 6.2 EPA (sq. ft.) weighing up to 150 pounds. Many Other loading options are available. For other loading requirements, contact the factory.



Washington Style, 24" Anchor Base and Direct Burial

THE HISTORICAL SERIES

Washington

Distinctive, classical beauty

Virtually maintenance free, durable fiberglass reinforced composite

One-piece construction

Smooth or fluted, tapered shafts

Standard or custom finishes and colors

Standard, special, premium, and architectural colors available, or any color can be matched

Gloss or semi-gloss finishes standard; custom finishes available

Mounting heights of 9.5, 12, or 14.5 feet; custom heights to 22 feet

Superior wind, loading, and environmental tolerance

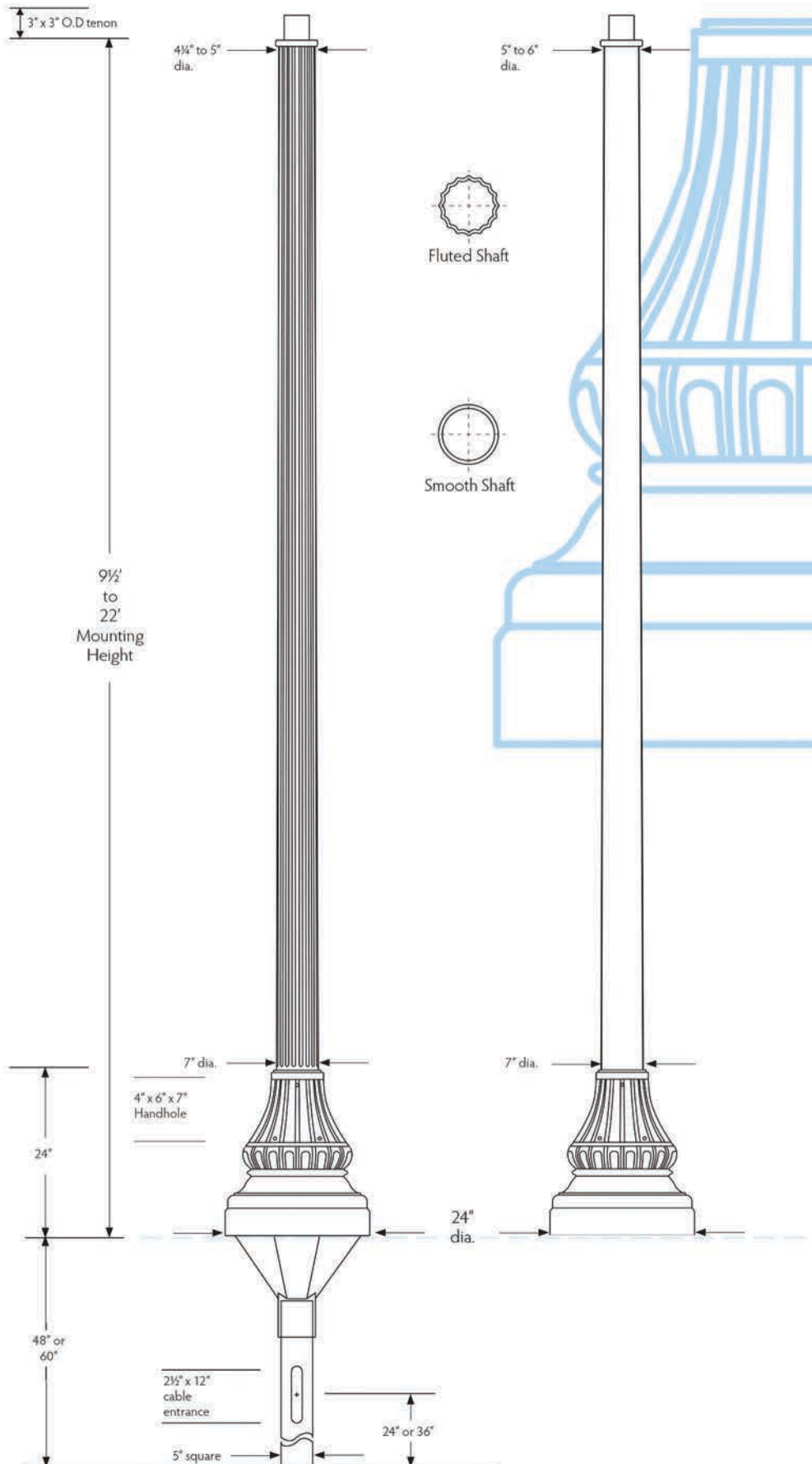
Non-conductive for safety

Molded-in color

UV and weather resistant polyurethane coating

Standard 3" x 3" dia. aluminum tenon for luminaire mounting

Anchor Base or Direct Burial

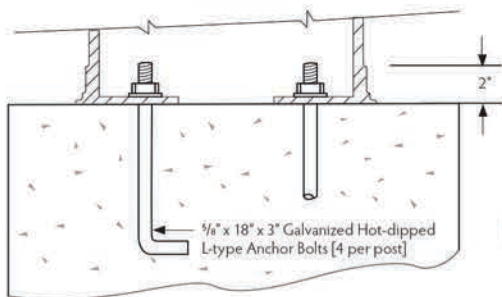


AP24 and BP24

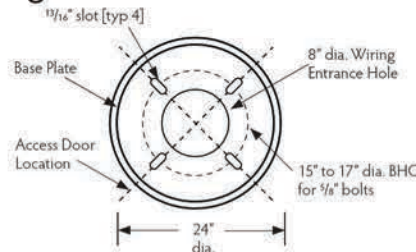
Washington, 24" Anchor and Direct Burial Base

All dimensions and specifications nominal, and subject to change without notice or obligation. Please contact factory before site preparation begins.

Suggested Anchorage Detail (Anchor Base)



Washington Anchor Bolt Pattern Detail



OPTIONS

Weatherproof receptacle mounted 9" from top of pole, 90° clockwise from handhole: add "W1" to the catalog number.

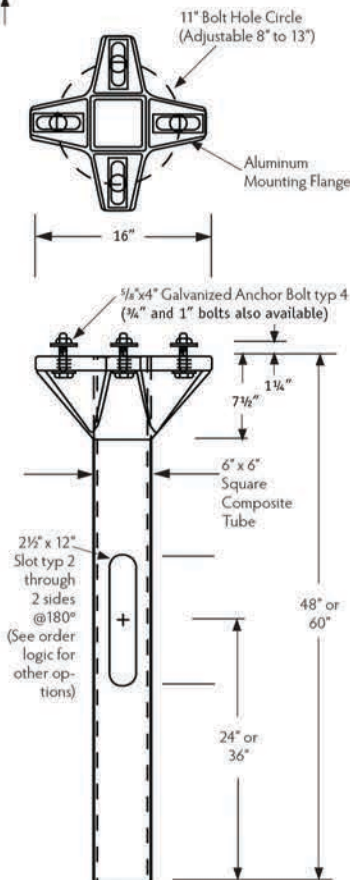
Weatherproof receptacle mounted 18" from the top of the base on the shaft, 90° clockwise to the handhole: add "W2" to the catalog number. For other receptacle options, specify or contact factory.

Banner arms, flag brackets, luminaires, and other attachments are available. Contact factory.

Decorative Twin Fixture Crossarm (Catalog number A-30) add "A1" to pole catalog number. See Arms and Brackets, Section C in this catalog, for other decorative twin arms.

Detachable Composite Burial Foot permits direct burial of foot prior to mounting. See Burial Foot brochure for specifications and catalog numbers.

Optional Composite Burial Foot



Catalog Numbers for Washington Style 24"

Base Type A=Anchor Base B=Direct Burial Style P=Washington	Shaft Type F=Fluted S=Smooth	Color 1=Black 2=Gray 3=Brown 4=Dk Green 5=Dk Bronze 6=Silver 7=White 9=Specify*	Options (See "Options" above)																		
AP24	- 9.5	F	G 1 1																		
Base Dia. (in.) 24" dia.	Mounting Height (ft.) 9.5 to 22	Finish G=Gloss S=Semi-gloss	Direct Burial Conduit Entrance (use "1" for Anchor Base) Location from bottom of pole																		
		<table border="1"> <tr> <td></td> <td>1 ea. 2"x12"</td> <td>2 ea. 2"x12" @ 180°</td> </tr> <tr> <td>None</td> <td>1</td> <td>1</td> </tr> <tr> <td>12"</td> <td>2</td> <td>3</td> </tr> <tr> <td>18"</td> <td>4</td> <td>5</td> </tr> <tr> <td>24"</td> <td>6</td> <td>7</td> </tr> <tr> <td>Other (specify)</td> <td>0</td> <td>0</td> </tr> </table>			1 ea. 2"x12"	2 ea. 2"x12" @ 180°	None	1	1	12"	2	3	18"	4	5	24"	6	7	Other (specify)	0	0
	1 ea. 2"x12"	2 ea. 2"x12" @ 180°																			
None	1	1																			
12"	2	3																			
18"	4	5																			
24"	6	7																			
Other (specify)	0	0																			

*Standard, premium, and architectural colors are available. See Tuff-Pole® Color Palette brochure.

How to Specify

Description: The pole shaft and base (and internal mounting flange) shall all be molded of non-corroding fiberglass reinforced composite, pigmented throughout, and finished in the same color as specified. The (fluted) shafts shall be tapered and formed with 16 flutes separated by semi-flat ribs. The (smooth) shafts shall be filament wound with a smooth, tapered surface. The base shall be shaped similar to Shakespeare Composite Structures Washington style AP24 (anchor base) / BP24 (direct burial).

Dimensions: The pole shall be 9.5, 12, or 14.5 feet (custom to 22') mounting height with a 24-inch diameter base. A 3" diameter by 3" high aluminum tenon shall be provided for luminaire mounting. (Direct Burial) The direct burial foundation shall be 48" (60") overall length and provided with a 2.5" x 12" conductor entrance centered 24" (36") from the bottom of the direct burial base (see order logic for other options). (Anchor Base) The internal mounting flange shall be provided with four 13/16" slots to accommodate 4 anchor bolts 5/8" x 18" x 3" in a 15" to 17" bolt circle.

Construction: The shaft shall be round with a uniform taper along the fluted (smooth) shaft. A handhole with a weather resistant cover shall be provided in the base for wiring access (if anchor base) and anchorage. The opening shall be no smaller than 4" wide at the top by 6" at the bottom by 7" high. The cover shall be made of fiberglass reinforced composite and shall bear the manufacturer's name. The cover shall be attached with 3 stainless steel flat countersunk hex socket head screws. Threaded inserts shall be incorporated in the pole base.

The (anchor base) mounting flange shall be molded in one piece of fiberglass reinforced composite with a minimum thickness of 1/2" and shall be permanently bonded flush to the bottom of the base. Each pole shall be finished with a (glossy / semi-gloss) weather resistant polyurethane having a minimum dry film thickness of 1.5 mils.

(Add "Performance and Testing Requirements" from the Specification Data sheet on page 3.)

EPA Rating

Washington P24 style poles are engineered to withstand at least 100 mph wind forces, with luminaires up to 6.2 EPA (sq. ft.) weighing up to 150 pounds. Many Other loading options are available. For other loading requirements, contact the factory.



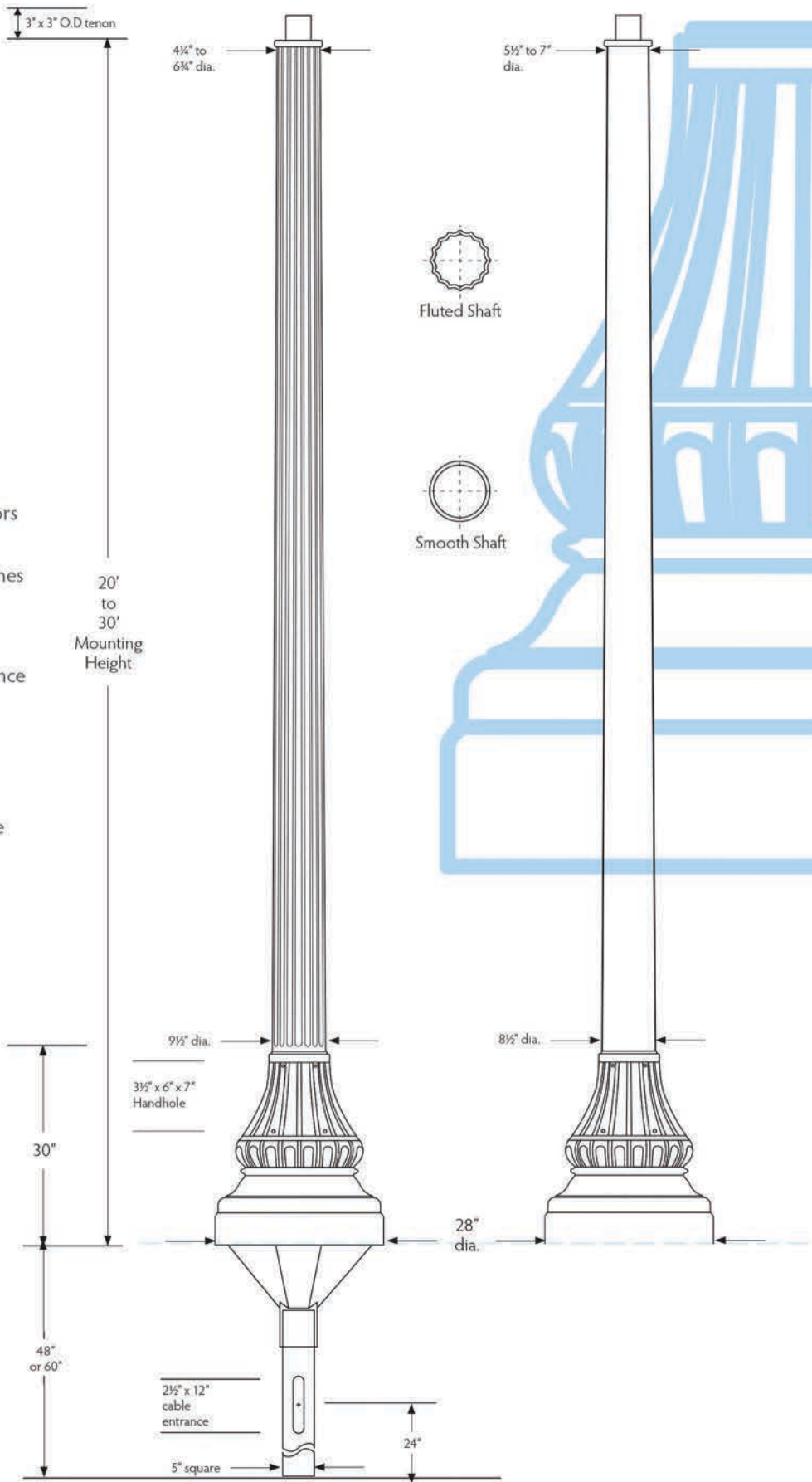
Washington Style, 28" Anchor Base and Direct Burial

THE HISTORICAL SERIES

Washington

Distinctive, classical beauty

- Virtually maintenance free, durable fiberglass reinforced composite
- One-piece construction
- Smooth or fluted, tapered shafts
- Standard or custom finishes and colors
- Standard, special, premium, and architectural colors available, or any color can be matched
- Gloss or semi-gloss finishes standard; custom finishes available
- Mounting heights up to 30 feet
- Superior wind, loading, and environmental tolerance
- Non-conductive for safety
- Molded-in color
- UV and weather resistant polyurethane coating
- Standard 3" x 3" dia. aluminum tenon for luminaire mounting
- Anchor Base or Direct Burial



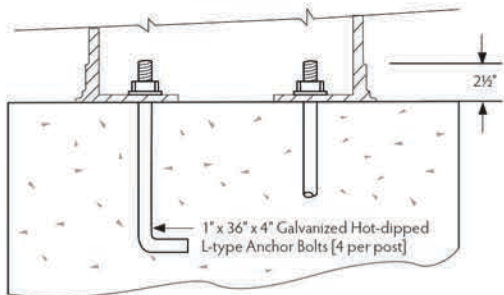
Historic bridge approach, Columbia, SC

AP28 and BP28

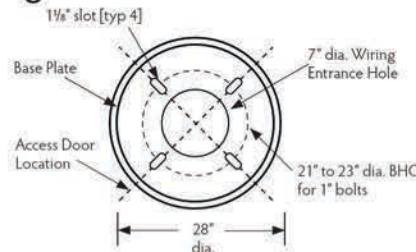
Washington, 28" Anchor and Direct Burial Base

All dimensions and specifications nominal, and subject to change without notice or obligation. Please contact factory before site preparation begins.

Suggested Anchorage Detail (Anchor Base)



Washington Anchor Bolt Pattern Detail



OPTIONS

Weatherproof receptacle mounted 9" from top of pole, 90° clockwise from handhole: add "W1" to the catalog number.

Weatherproof receptacle mounted 18" from the top of the base on the shaft, 90° clockwise to the handhole: add "W2" to the catalog number. For other receptacle options, specify or contact factory.

Banner arms, flag brackets, luminaires, and other attachments are available. Contact factory.

Decorative Twin Fixture Crossarm (Catalog number A-30) add "A1" to pole catalog number. See Arms and Brackets, Section C in this catalog, for other decorative twin arms.



Washington Base with Fluted shaft, composite decorative twin arm and composite luminaires.

Catalog Numbers for Washington Style 28"

Base Type A=Anchor Base B=Direct Burial Style P=Washington	Shaft Type F=Fluted S=Smooth	Color 1=Black 2=Gray 3=Brown 4=Dk Green 5=Dk Bronze 6=Silver 7=White 9=Specify*	Options (See "Options" above)																		
AP28	- 22	F	G 1 1																		
Base Dia. (in.) 28" dia.	Mounting Height (ft.) up to 30	Finish G=Gloss S=Semi-gloss	Direct Burial Conduit Entrance (use "1" for Anchor Base) Location from bottom of pole																		
		<table border="1"> <tr> <td></td> <td>1 ea. 2"x12"</td> <td>2 ea. 2"x12" @ 180°</td> </tr> <tr> <td>None</td> <td>1</td> <td>1</td> </tr> <tr> <td>12"</td> <td>2</td> <td>3</td> </tr> <tr> <td>18"</td> <td>4</td> <td>5</td> </tr> <tr> <td>24"</td> <td>6</td> <td>7</td> </tr> <tr> <td>Other (specify)</td> <td>0</td> <td>0</td> </tr> </table>			1 ea. 2"x12"	2 ea. 2"x12" @ 180°	None	1	1	12"	2	3	18"	4	5	24"	6	7	Other (specify)	0	0
	1 ea. 2"x12"	2 ea. 2"x12" @ 180°																			
None	1	1																			
12"	2	3																			
18"	4	5																			
24"	6	7																			
Other (specify)	0	0																			

*Standard, premium, and architectural colors are available. See Tuff-Pole® Color Palette brochure.

How to Specify

Description: The pole shaft and base (and internal mounting flange) shall all be molded of non-corroding fiberglass reinforced composite, pigmented throughout, and finished in the same color as specified. The (fluted) shafts shall be tapered and formed with 16 flutes separated by semi-flat ribs. The (smooth) shafts shall be filament wound with a smooth, tapered surface. The base shall be shaped similar to Shakespeare Composite Structures Washington style AP28 (anchor base) / BP28 (direct burial).

Dimensions: The pole shall be 9.5, 12, or 14.5 feet (custom to 21) mounting height with a 24-inch diameter base. A 3" diameter by 3" high aluminum tenon shall be provided for luminaire mounting. (Direct Burial) The direct burial foundation shall be 48" or 60" overall length and provided with a 2.5" x 12" conductor entrance centered 24" or 36" from the bottom of the direct burial base (see order logic for other options). (Anchor Base) The internal mounting flange shall be provided with four 1-1/8" slots to accommodate 4 anchor bolts 1" x 36" x 4" in a 21" to 23" bolt circle.

Construction: The shaft shall be round with a uniform taper along the fluted (smooth) shaft. A handhole with a weather resistant cover shall be provided in the base for wiring access (if anchor base) and anchorage. The opening shall be no smaller than 3.5" wide at the top by 6" at the bottom by 7" high. The cover shall be made of fiberglass reinforced composite and shall bear the manufacturer's name. The cover shall be attached with 3 stainless steel flat countersunk hex socket head screws. Threaded inserts shall be incorporated in the pole base.

The (anchor base) mounting flange shall be molded in one piece of fiberglass reinforced composite with a minimum thickness of 1/2" and shall be permanently bonded flush to the bottom of the base. Each pole shall be finished with a (glossy / semi-gloss) weather resistant polyurethane having a minimum dry film thickness of 1.5 mils.

(Add "Performance and Testing Requirements" from the Specification Data sheet on page 3.)

EPA Rating

Washington P28 style poles are engineered to withstand at least 100 mph wind forces, with luminaires up to 6.2 EPA (sq. ft.) weighing up to 150 pounds. Many Other loading options are available. For other loading requirements, contact the factory.



Madison Style, 17" Anchor Base and Direct Burial

THE HISTORICAL SERIES

Madison

Distinctive, classical beauty

Virtually maintenance free, durable fiberglass reinforced composite

One-piece construction

Smooth or fluted, tapered shafts

Standard or custom finishes and colors

Standard, special, premium, and architectural colors available, or any color can be matched

Gloss or semi-gloss finishes standard; custom finishes available

Mounting heights of 9.5, 12, or 15 feet; custom heights to 20 feet

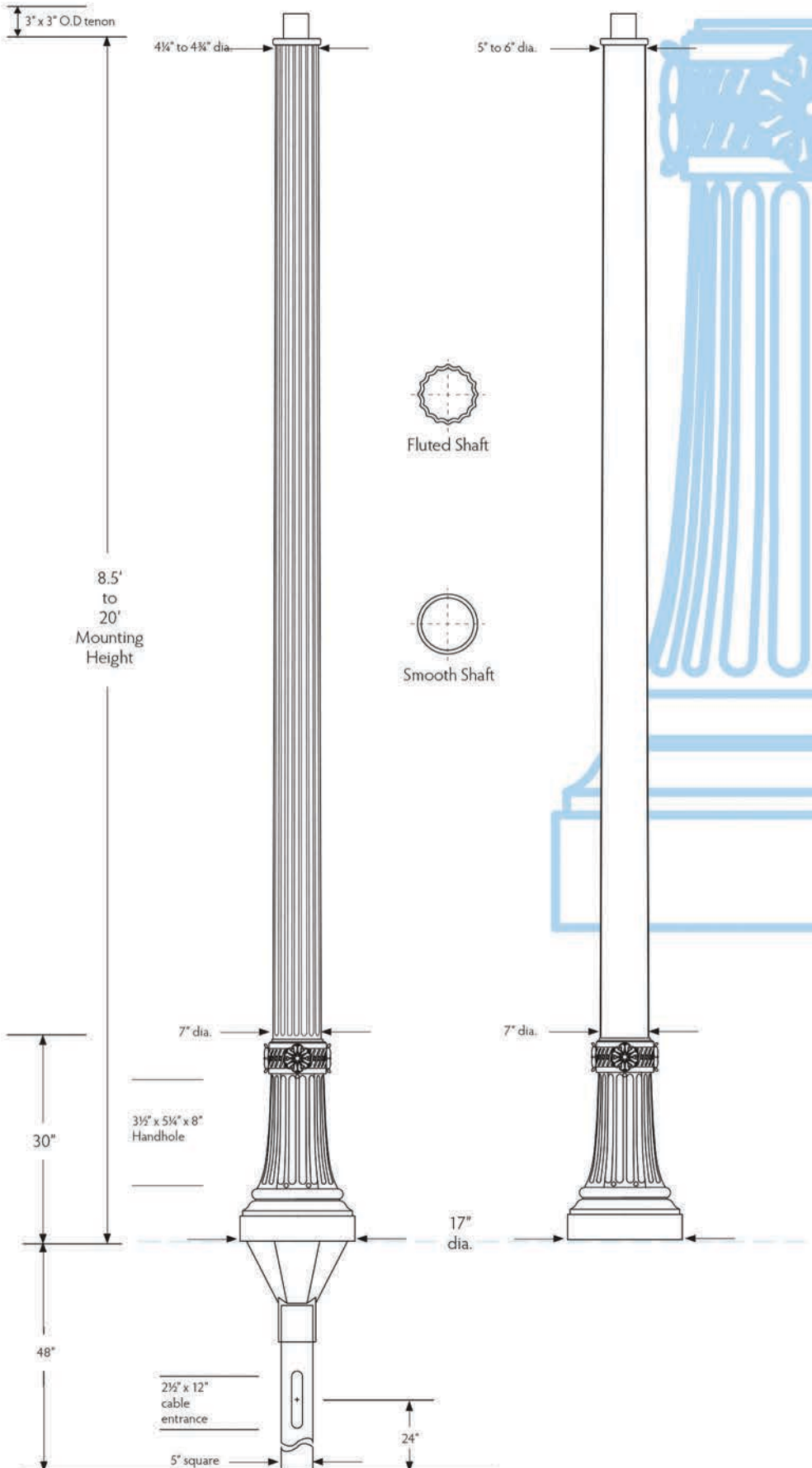
Superior wind, loading, and environmental tolerance

Non-conductive for safety

Molded-in color; UV and weather resistant polyurethane coating

Standard 3" x 3" dia. aluminum tenon for luminaire mounting

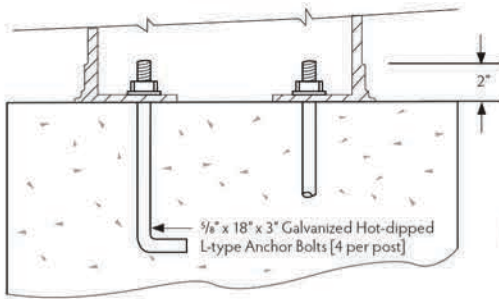
Anchor Base or Direct Burial



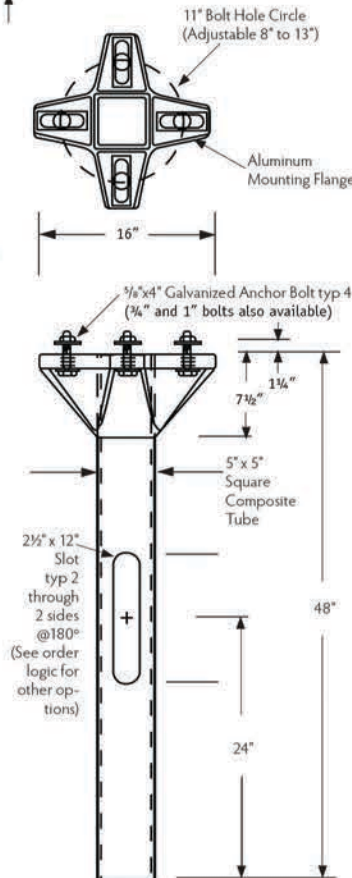
AM17 and BM17 Madison, 17" Anchor and Direct Burial Base

All dimensions and specifications nominal, and subject to change without notice or obligation. Please contact factory before site preparation begins.

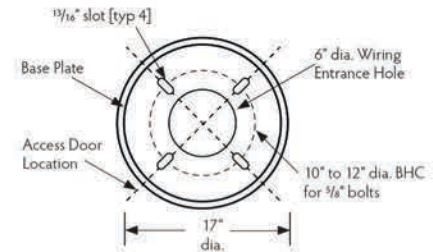
Suggested Anchorage Detail (Anchor Base)



Optional Composite Burial Foot



Madison Anchor Bolt Pattern Detail



OPTIONS

3-Bolt Base or optional **Bolt Circle**: contact factory. Weatherproof receptacle mounted 9" from top of pole, 90° clockwise from handhole: add "W1" to the catalog number.

Weatherproof receptacle mounted 18" from the top of the base on the shaft, 90° clockwise to the handhole: add "W2" to the catalog number. For other receptacle options, specify or contact factory.

Banner arms, flag brackets, luminaires, and other attachments are available. Contact factory.

Decorative Twin Fixture Crossarm (Catalog number A-30) add "A1" to pole catalog number. See Arms and Brackets, Section C in this catalog, for other decorative twin arms.

Detachable Composite Burial Foot permits direct burial of foot prior to mounting. See Burial Foot brochure for specifications and catalog numbers.

How to Specify

Description: The pole shaft and base (and internal mounting flange) shall all be molded of non-corroding fiberglass reinforced composite, pigmented throughout, and finished in the same color as specified. The (fluted) shafts shall be tapered and formed with 16 flutes separated by semi-flat ribs. The (smooth) shafts shall be filament wound with a smooth, tapered surface. The base shall be shaped similar to Shakespeare Composite Structures Madison style AM17 (anchor base) / BM17 (direct burial).

Dimensions: The pole shall be 9.5, 12, or 15 feet mounting height (custom heights to 20') with a 17-inch diameter base. A 3" diameter by 3" high aluminum tenon shall be provided for luminaire mounting. (Direct Burial) The direct burial foundation shall be 48" overall length and provided with a 2.5" x 12" conductor entrance centered 24" from the bottom of the direct burial base (see order logic for other options). (Anchor Base) The internal mounting flange shall be provided with four 13/16" slots to accommodate 4 anchor bolts 5/8" x 18" x 3" in a 10" to 12" bolt circle.

Construction: The shaft shall be round with a uniform taper along the fluted (smooth) shaft. A handhole with a weather resistant cover shall be provided in the base for wiring access (if anchor base) and anchorage. The opening shall be no smaller than 3.5" wide at the top by 5.25" at the bottom by 8" high. The cover shall be made of fiberglass reinforced composite and shall bear the manufacturer's name. The cover shall be attached with 3 stainless steel flat countersunk hex socket head screws. Threaded inserts shall be incorporated in the pole base.

The (anchor base) mounting flange shall be molded in one piece of fiberglass reinforced composite with a minimum thickness of 1/2" and shall be permanently bonded flush to the bottom of the base. Each pole shall be finished with a (glossy / semi-gloss) weather resistant polyurethane having a minimum dry film thickness of 1.5 mils.

(Add "Performance and Testing Requirements" from the Specification Data sheet on page 3.)

Catalog Numbers for Madison Style 17"

Base Type A=Anchor Base B=Direct Burial Style M=Madison	Shaft Type F=Fluted S=Smooth	Color 1=Black 2=Gray 3=Brown 4=Dk Green 5=Dk Bronze 6=Silver 7=White 9=Specify*	Matching Bollard also available. Contact Factory.	Options (See "Options" above)
AM17	-15	F	G	1 1
Base Dia. (in.) 17" dia.	Mounting Height (ft.) 9.5, 12, 15, or custom up to 20	Finish G=Gloss S=Semi-gloss	Direct Burial Conduit Entrance (use "1" for Anchor Base) Location from bottom of pole	
			1 ea. 2"x12"	2 ea. 2"x12" @ 180°
			None	1
			12"	2
			18"	3
			24"	4
			Other (specify)	5
				6
				7
				0
				0

*Standard, premium, and architectural colors are available. See Tuff-Pole® Color Palette brochure.

EPA Rating

Madison M17 style poles are engineered to withstand at least 100 mph wind forces, with luminaires up to 6.2 EPA (sq. ft.) weighing up to 150 pounds. Many Other loading options are available. For other loading requirements, contact the factory.



Madison Style, 20" Anchor Base and Direct Burial

THE HISTORICAL SERIES

Madison

Distinctive, classical beauty

Virtually maintenance free, durable fiberglass reinforced composite

One-piece construction

Smooth or fluted, tapered shafts

Standard or custom finishes and colors

Standard, special, premium, and architectural colors available, or any color can be matched

Gloss or semi-gloss finishes standard; custom finishes available

Mounting heights of 10 to 22 feet

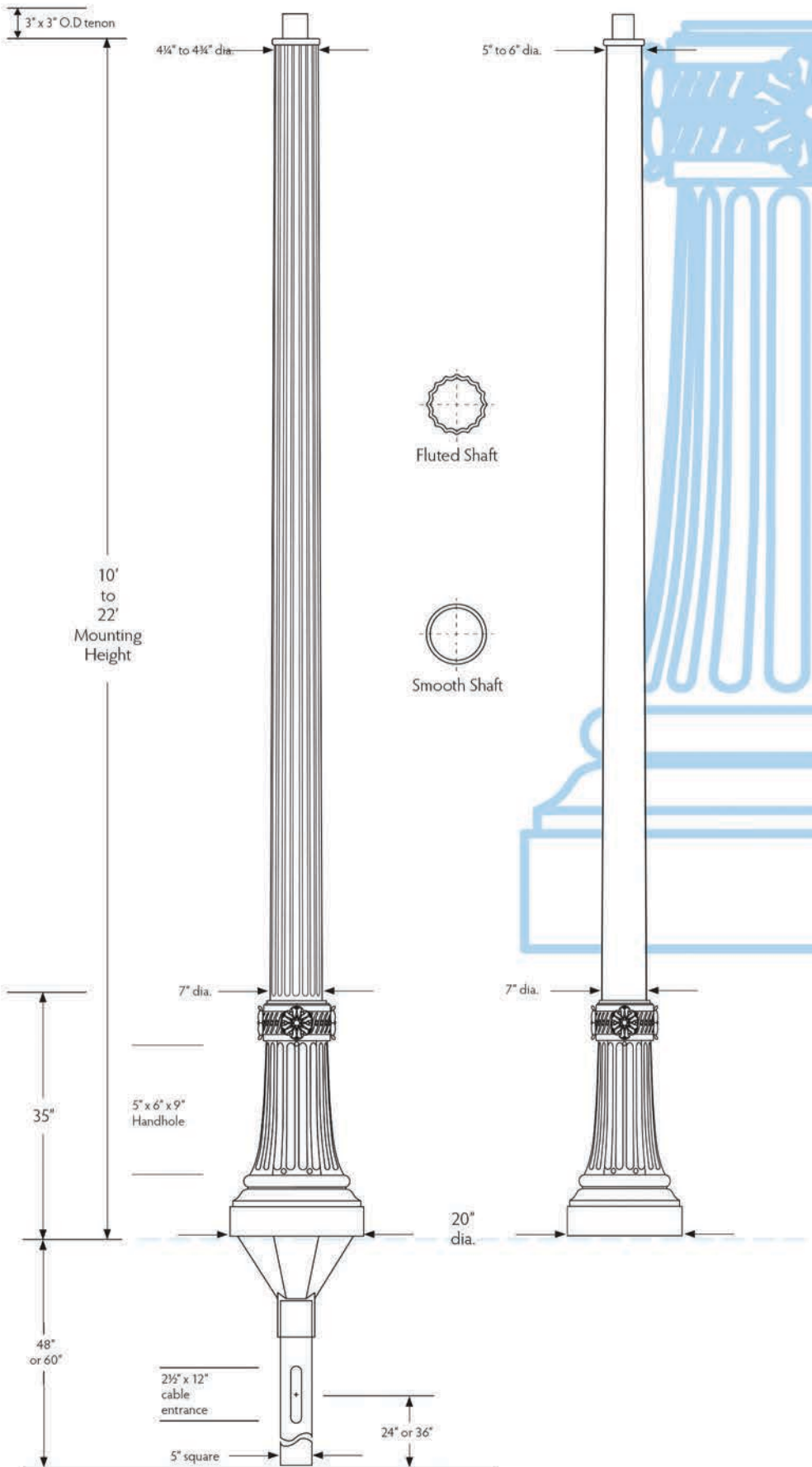
Superior wind, loading, and environmental tolerance

Non-conductive for safety

Molded-in color; UV and weather resistant polyurethane coating

Standard 3" x 3" dia. aluminum tenon for luminaire mounting

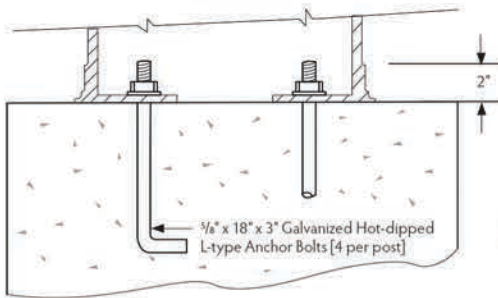
Anchor Base or Direct Burial



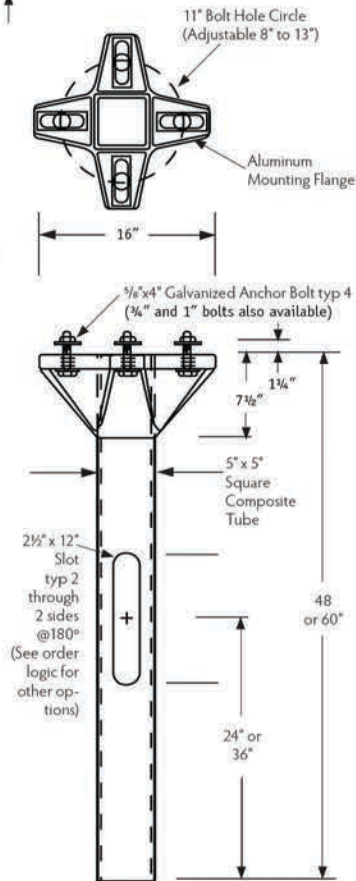
AM20 and BM20 Madison, 20" Anchor and Direct Burial Base

All dimensions and specifications nominal, and subject to change without notice or obligation. Please contact factory before site preparation begins.

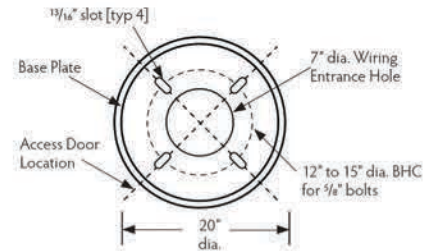
Suggested Anchorage Detail (Anchor Base)



Optional Composite Burial Foot



Madison Anchor Bolt Pattern Detail



OPTIONS

3-Bolt Base or optional **Bolt Circle**: contact factory. Weatherproof receptacle mounted 9" from top of pole, 90° clockwise from handhole; add "W1" to the catalog number.

Weatherproof receptacle mounted 18" from the top of the base on the shaft, 90° clockwise to the handhole; add "W2" to the catalog number. For other receptacle options, specify or contact factory.

Banner arms, flag brackets, luminaires, and other attachments are available. Contact factory.

Decorative Twin Fixture Crossarm (Catalog number A-30) add "A1" to pole catalog number. See Arms and Brackets, Section C in this catalog, for other decorative twin arms.

Detachable Composite Burial Foot permits direct burial of foot prior to mounting. See Burial Foot brochure for specifications and catalog numbers.

How to Specify

Description: The pole shaft and base (and internal mounting flange) shall all be molded of non-corroding fiberglass reinforced composite, pigmented throughout, and finished in the same color as specified. The (fluted) shafts shall be tapered and formed with 16 flutes separated by semi-flat ribs. The (smooth) shafts shall be filament wound with a smooth, tapered surface. The base shall be shaped similar to Shakespeare Composite Structures Madison style AM20 (anchor base) / BM20 (direct burial).

Dimensions: The pole shall be 10 to 22 feet mounting height with a 20-inch diameter base. A 3" diameter by 3" high aluminum tenon shall be provided for luminaire mounting. (Direct Burial) The direct burial foundation shall be 48" (60") overall length and provided with a 2.5" x 12" conductor entrance centered 24" (36") from the bottom of the direct burial base (see order logic for other options). (Anchor Base) The internal mounting flange shall be provided with four 13/16" slots to accommodate 4 anchor bolts 5/8" x 18" x 3" in a 12" to 15" bolt circle.

Construction: The shaft shall be round with a uniform taper along the fluted (smooth) shaft. A handhole with a weather resistant cover shall be provided in the base for wiring access (if anchor base) and anchorage. The opening shall be no smaller than 5" wide at the top by 6" at the bottom by 9" high. The cover shall be made of fiberglass reinforced composite and shall bear the manufacturer's name. The cover shall be attached with 3 stainless steel flat countersunk hex socket head screws. Threaded inserts shall be incorporated in the pole base.

The (anchor base) mounting flange shall be molded in one piece of fiberglass reinforced composite with a minimum thickness of 1/2" and shall be permanently bonded flush to the bottom of the base. Each pole shall be finished with a (glossy / semi-gloss) weather resistant polyurethane having a minimum dry film thickness of 1.5 mils.

(Add "Performance and Testing Requirements" from the Specification Data sheet on page 3.)

Catalog Numbers for Madison Style 20"

Base Type A=Anchor Base B=Direct Burial Style M=Madison	Shaft Type F=Fluted S=Smooth	Color 1=Black 2=Gray 3=Brown 4=Dk Green 5=Dk Bronze 6=Silver 7=White 9=Specify*	Matching Bollard also available. Contact Factory.
Options (See "Options" above)			

AM20	-12	F	S	1	1	
Base Dia. (in.) 20" dia.	Mounting Height (ft.) 10 to 22	Finish G=Gloss S=Semi-gloss	Direct Burial Conduit Entrance (use "1" for Anchor Base) Location from bottom of pole			
			1 ea. 2"x12"	2 ea. 2"x12" @ 180°		
			None	1	1	
			12"	2	3	
			18"	4	5	
			24"	6	7	
			Other (specify)	0	0	

*Standard, premium, and architectural colors are available. See Tuff-Pole® Color Palette brochure.

EPA Rating

Madison M20 style poles are engineered to withstand at least 100 mph wind forces, with luminaires up to 6.2 EPA (sq. ft.) weighing up to 150 pounds. Many Other loading options are available. For other loading requirements, contact the factory.

Adams Style, 15.5" Anchor Base and Direct Burial

THE HISTORICAL SERIES

Adams

Distinctive, classical beauty

Virtually maintenance free, durable fiberglass reinforced composite

One-piece construction

Smooth or fluted, tapered shafts

Standard or custom finishes and colors

Standard, special, premium, and architectural colors available, or any color can be matched

Gloss or semi-gloss finishes standard; custom finishes available

Mounting heights of 8.5, 12, or 13.5 feet; custom heights to 16 feet

Superior wind, loading, and environmental tolerance

Non-conductive for safety

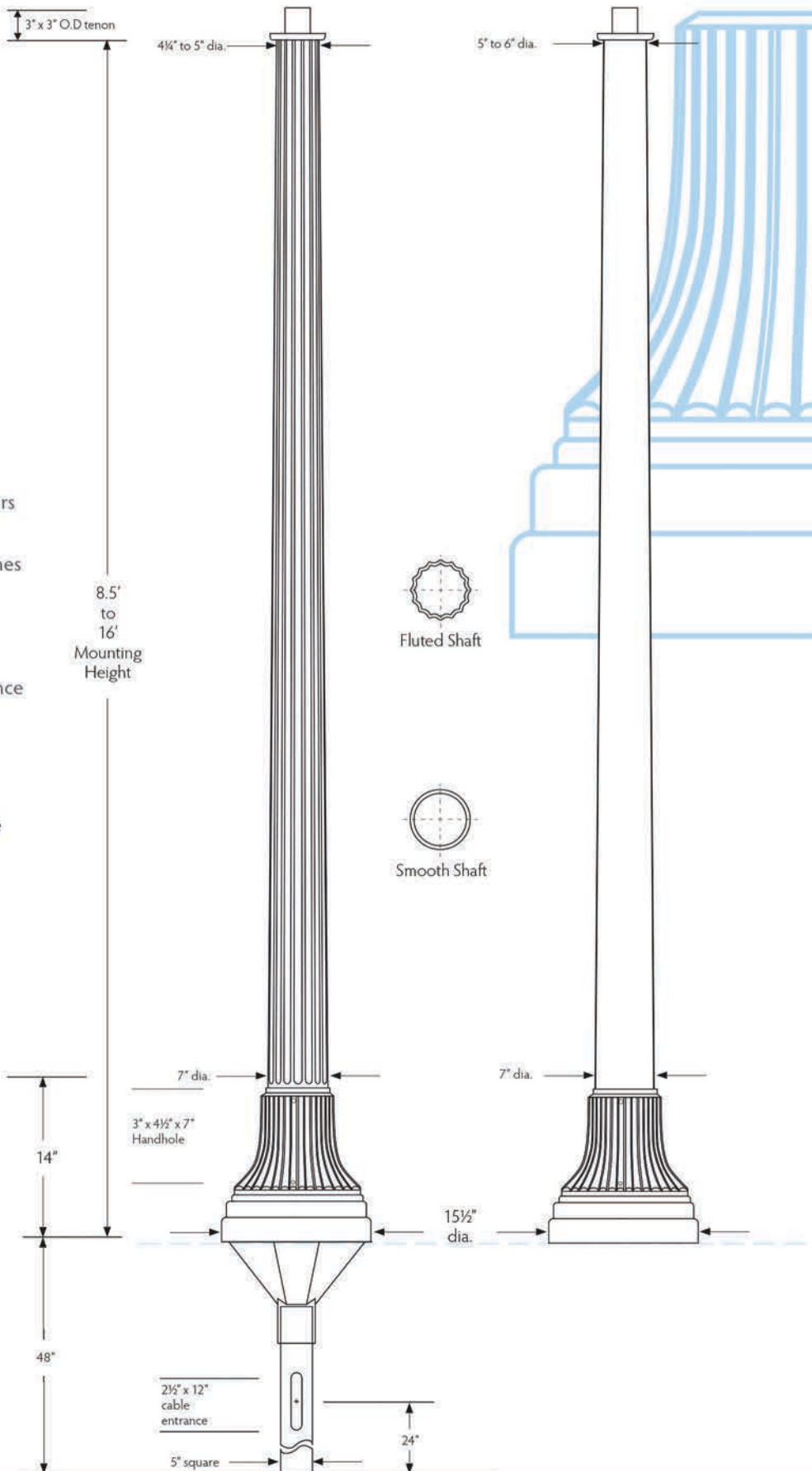
Molded-in color; UV and weather resistant polyurethane coating

Standard 3" x 3" dia. aluminum tenon for luminaire mounting

Anchor Base or Direct Burial



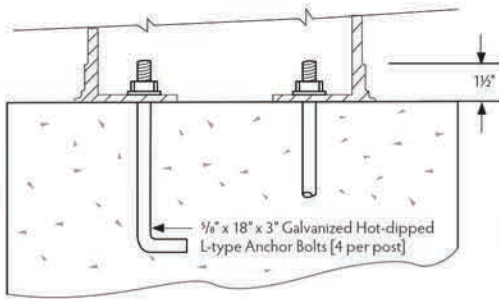
Residential street, Sacramento, CA



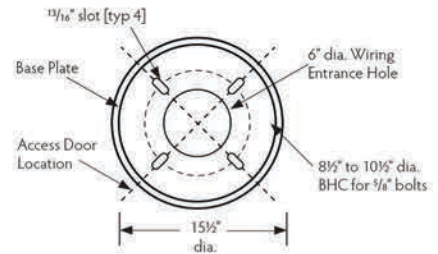
AA15 and BA15 Adams, 15.5" Anchor and Direct Burial Base

All dimensions and specifications nominal, and subject to change without notice or obligation. Please contact factory before site preparation begins.

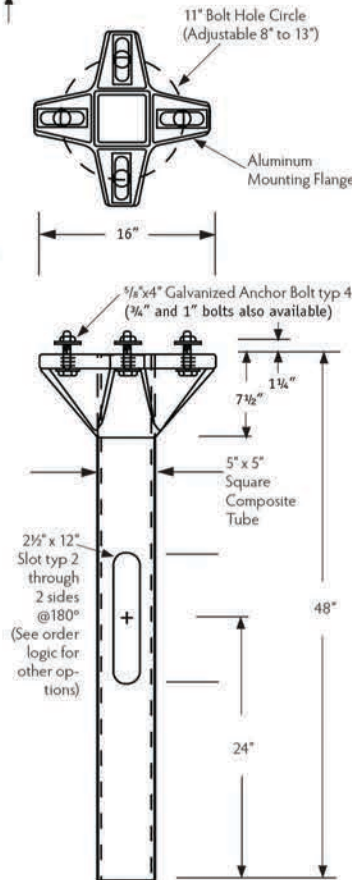
Suggested Anchorage Detail (Anchor Base)



Adams Anchor Bolt Pattern Detail



Optional Composite Burial Foot



OPTIONS

3-Bolt Base or optional Bolt Circle: contact factory.

Weatherproof receptacle mounted 9" from top of pole, 90° clockwise from handhole: add "W1" to the catalog number.

Weatherproof receptacle mounted 18" from the top of the base on the shaft, 90° clockwise to the handhole: add "W2" to the catalog number. For other receptacle options, specify or contact factory.

Banner arms, flag brackets, luminaires, and other attachments are available. Contact factory.

Decorative Twin Fixture Crossarm (Catalog number A-30) add "A1" to pole catalog number. See Arms and Brackets, Section C in this catalog, for other decorative twin arms.

Detachable Composite Burial Foot permits direct burial of foot prior to mounting. See Burial Foot brochure for specifications and catalog numbers.

How to Specify

Description: The pole shaft and base (and internal mounting flange) shall all be molded of non-corroding fiberglass reinforced composite, pigmented throughout, and finished in the same color as specified. The (fluted) shafts shall be tapered and formed with 16 flutes separated by semi-flat ribs. The (smooth) shafts shall be filament wound with a smooth, tapered surface. The base shall be shaped similar to Shakespeare Composite Structures Adams style AA15 (anchor base) / BA15 (direct burial).

Dimensions: The pole shall be 8.5, 12, or 13.5 feet mounting height (custom heights to 16') with a 15.5-inch diameter base. A 3" diameter by 3" high aluminum tenon shall be provided for luminaire mounting. (Direct Burial) The direct burial foundation shall be 48" overall length and provided with a 2.5" x 12" conductor entrance centered 24" from the bottom of the direct burial base (see order logic for other options). (Anchor Base) The internal mounting flange shall be provided with four 13/16" slots to accommodate 4 anchor bolts 5/8" x 18" x 3" in a 8.5" to 10.5" bolt circle.

Construction: The shaft shall be round with a uniform taper along the fluted (smooth) shaft. A handhole with a weather resistant cover shall be provided in the base for wiring access (if anchor base) and anchorage. The opening shall be no smaller than 3" wide at the top by 4.5" at the bottom by 7" high. The cover shall be made of fiberglass reinforced composite and shall bear the manufacturer's name. The cover shall be attached with 2 stainless steel flat countersunk hex socket head screws. Threaded inserts shall be incorporated in the pole base.

The (anchor base) mounting flange shall be molded in one piece of fiberglass reinforced composite with a minimum thickness of 1/2" and shall be permanently bonded flush to the bottom of the base. Each pole shall be finished with a (glossy / semi-gloss) weather resistant polyurethane having a minimum dry film thickness of 1.5 mils.

(Add "Performance and Testing Requirements" from the Specification Data sheet on page 3.)

Catalog Numbers for Adams Style 15.5"

Base Type A=Anchor Base B=Direct Burial	Shaft Type F=Fluted S=Smooth	Color 1=Black 2=Gray 3=Brown 4=Dk Green 5=Dk Bronze 6=Silver 7=White 9=Specify*	Options (See "Options" above)																		
Style A=Adams																					
AA15	-12	S	G 1 1																		
Base Dia. (in.) 15.5" dia.	Mounting Height (ft.) 8.5, 12, 13.5, or custom up to 16	Finish G=Gloss S=Semi-gloss	Direct Burial Conduit Entrance (use "1" for Anchor Base) Location from bottom of pole																		
			<table border="1"> <thead> <tr> <th></th> <th>1 ea. 2"x12"</th> <th>2 ea. 2"x12" @ 180°</th> </tr> </thead> <tbody> <tr> <td>None</td> <td>1</td> <td>1</td> </tr> <tr> <td>12"</td> <td>2</td> <td>3</td> </tr> <tr> <td>18"</td> <td>4</td> <td>5</td> </tr> <tr> <td>24"</td> <td>6</td> <td>7</td> </tr> <tr> <td>Other (specify)</td> <td>0</td> <td>0</td> </tr> </tbody> </table>		1 ea. 2"x12"	2 ea. 2"x12" @ 180°	None	1	1	12"	2	3	18"	4	5	24"	6	7	Other (specify)	0	0
	1 ea. 2"x12"	2 ea. 2"x12" @ 180°																			
None	1	1																			
12"	2	3																			
18"	4	5																			
24"	6	7																			
Other (specify)	0	0																			

*Standard, premium, and architectural colors are available. See Tuff-Pole Color Palette brochure.

EPA Rating

Adams A15 style poles are engineered to withstand at least 100 mph wind forces, with luminaires up to 6.2 EPA (sq. ft.) weighing up to 150 pounds. Many Other loading options are available. For other loading requirements, contact the factory.



Boise Style, 19.5" Anchor Base and Direct Burial

THE HISTORICAL SERIES

Boise

Distinctive, classical beauty

Virtually maintenance free, durable fiberglass reinforced composite

One-piece construction

Smooth or fluted, tapered shafts

Standard or custom finishes and colors

Standard, special, premium, and architectural colors available, or any color can be matched

Gloss or semi-gloss finishes standard; custom finishes available

Mounting heights of 9.5, 12, or 15 feet; custom heights to 20 feet

Superior wind, loading, and environmental tolerance

Non-conductive for safety

Molded-in color

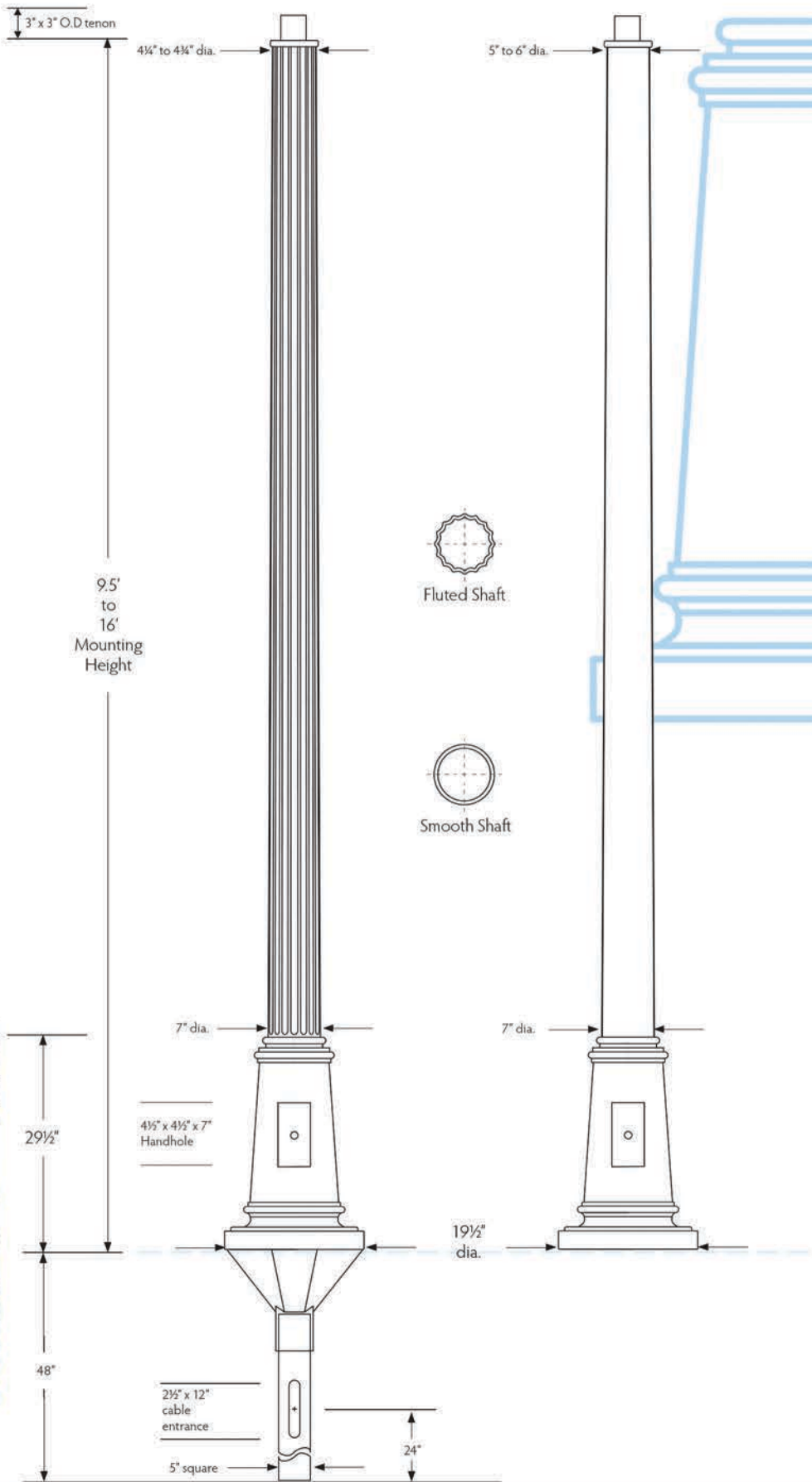
UV and weather resistant polyurethane coating

Standard 3" x 3" dia. aluminum tenon for luminaire mounting

Anchor Base or Direct Burial



On location

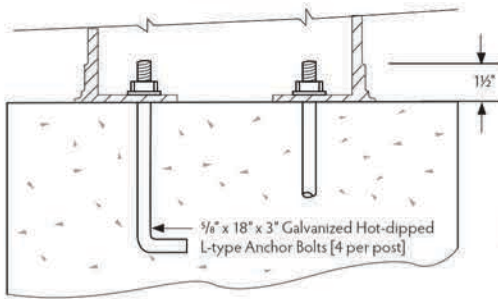


ABO19 and BBO19

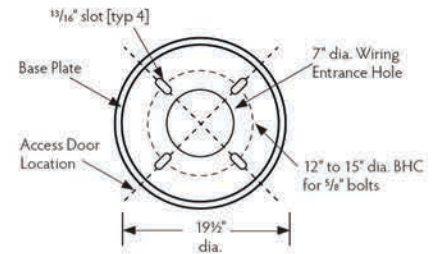
Boise, 19.5" Anchor and Direct Burial Base

All dimensions and specifications nominal, and subject to change without notice or obligation. Please contact factory before site preparation begins.

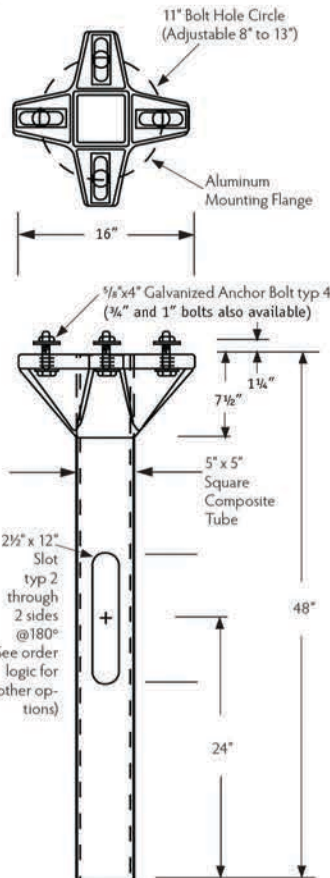
Suggested Anchorage Detail (Anchor Base)



Boise Anchor Bolt Pattern Detail



Optional Composite Burial Foot



OPTIONS

3-Bolt Base or optional **Bolt Circle**: contact factory. Weatherproof receptacle mounted 9" from top of pole, 90° clockwise from handhole: add "W1" to the catalog number.

Weatherproof receptacle mounted 18" from the top of the base on the shaft, 90° clockwise to the handhole: add "W2" to the catalog number. For other receptacle options, specify or contact factory.

Banner arms, flag brackets, luminaires, and other attachments are available. Contact factory.

Decorative Twin Fixture Crossarm (Catalog number A-30) add "A1" to pole catalog number. See Arms and Brackets, Section C in this catalog, for other decorative twin arms.

Detachable Composite Burial Foot permits direct burial of foot prior to mounting. See Burial Foot brochure for specifications and catalog numbers.

How to Specify

Description: The pole shaft and base (and internal mounting flange) shall all be molded of non-corroding fiberglass reinforced composite, pigmented throughout, and finished in the same color as specified. The (fluted) shafts shall be tapered and formed with 16 flutes separated by semi-flat ribs. The (smooth) shafts shall be filament wound with a smooth, tapered surface. The base shall be shaped similar to Shakespeare Composite Structures Boise style ABO19 (anchor base) / BBO19 (direct burial).

Dimensions: The pole shall be 9.5, 12, or 15 feet mounting height (custom heights to 20') with a 19.5-inch diameter base. A 3" diameter by 3" high aluminum tenon shall be provided for luminaire mounting. (Direct Burial) The direct burial foundation shall be 48" overall length and provided with a 2.5" x 12" conductor entrance centered 24" from the bottom of the direct burial base (see order logic for other options). (Anchor Base) The internal mounting flange shall be provided with four 13/16" slots to accommodate 4 anchor bolts 5/8" x 18" x 3" in a 12" to 15" bolt circle.

Construction: The shaft shall be round with a uniform taper along the fluted (smooth) shaft. A handhole with a weather resistant cover shall be provided in the base for wiring access (if anchor base) and anchorage. The opening shall be no smaller than 4.5" wide at the top by 4.5" at the bottom by 7" high. The cover shall be made of fiberglass reinforced composite and shall bear the manufacturer's name. The cover shall be attached with 2 stainless steel flat countersunk hex socket head screws. Threaded inserts shall be incorporated in the pole base.

The (anchor base) mounting flange shall be molded in one piece of fiberglass reinforced composite with a minimum thickness of 1/2" and shall be permanently bonded flush to the bottom of the base. Each pole shall be finished with a (glossy / semi-gloss) weather resistant polyurethane having a minimum dry film thickness of 1.5 mils.

(Add "Performance and Testing Requirements" from the Specification Data sheet on page 3.)

Catalog Numbers for Boise Style 19.5"

Base Type A=Anchor Base B=Direct Burial Style B=Boise	Shaft Type F=Fluted S=Smooth	Color 1=Black 2=Gray 3=Brown 4=Dk Green 5=Dk Bronze 6=Silver 7=White 9=Specify*	Options (See "Options" above)
--	---	--	---

ABO19 - 15 S G 1 1

Base Dia. (in.) 19.5" dia.	Mounting Height (ft.) 9.5, 12, 15, or custom up to 20	Finish G=Gloss S=Semi-gloss	Direct Burial Conduit Entrance (use "1" for Anchor Base) Location from bottom of pole																		
			<table border="1"> <tr> <td></td> <td>1 ea. 2"x12"</td> <td>2 ea. 2"x12" @ 180°</td> </tr> <tr> <td>None</td> <td>1</td> <td>1</td> </tr> <tr> <td>12"</td> <td>2</td> <td>3</td> </tr> <tr> <td>18"</td> <td>4</td> <td>5</td> </tr> <tr> <td>24"</td> <td>6</td> <td>7</td> </tr> <tr> <td>Other (specify)</td> <td>0</td> <td>0</td> </tr> </table>		1 ea. 2"x12"	2 ea. 2"x12" @ 180°	None	1	1	12"	2	3	18"	4	5	24"	6	7	Other (specify)	0	0
	1 ea. 2"x12"	2 ea. 2"x12" @ 180°																			
None	1	1																			
12"	2	3																			
18"	4	5																			
24"	6	7																			
Other (specify)	0	0																			

*Standard, premium, and architectural colors are available. See Tuff-Pole Color Palette brochure.

EPA Rating

Boise style poles are engineered to withstand at least 100 mph wind forces, with luminaires up to 6.2 EPA (sq. ft.) weighing up to 150 pounds. Many Other loading options are available. For other loading requirements, contact the factory.



Charleston Style, 9" Anchor Base and Direct Burial

THE HISTORICAL SERIES

Charleston

Distinctive, classical beauty

Virtually maintenance free, durable fiberglass reinforced composite

One-piece construction

Smooth or fluted straight, or smooth tapered shafts

Standard or custom finishes and colors

Standard, special, premium, and architectural colors available, or any color can be matched

Gloss or semi-gloss finishes standard; custom finishes available

Mounting heights of 9.5, or 12.5 feet; custom heights available

Superior wind, loading, and environmental tolerance

Non-conductive for safety

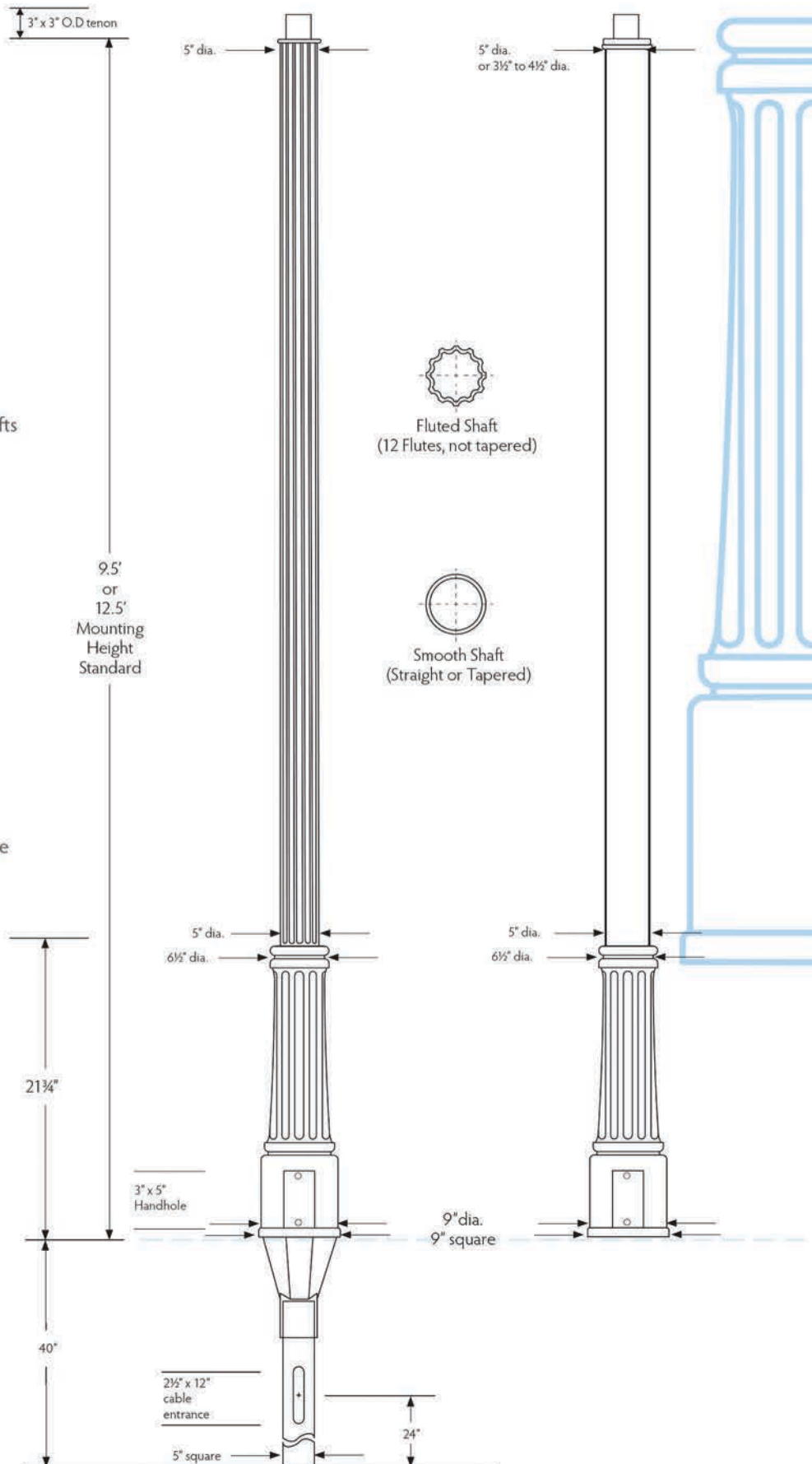
Molded-in color; UV and weather resistant polyurethane coating

Standard 3" x 3" dia. aluminum tenon for luminaire mounting

Anchor Base or Direct Burial



Commercial streetscape, Charleston, SC

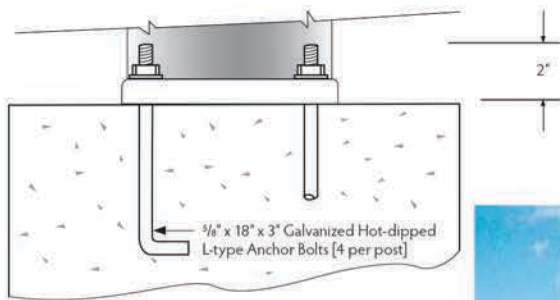


ACH9 and BCH9

Charleston, 9" Anchor and Direct Burial Base

All dimensions and specifications nominal, and subject to change without notice or obligation. Please contact factory before site preparation begins.

Suggested Anchorage Detail (Anchor Base)



OPTIONS

Weatherproof receptacle mounted 9" from top of pole, 90° clockwise from handhole: add "W1" to the catalog number.

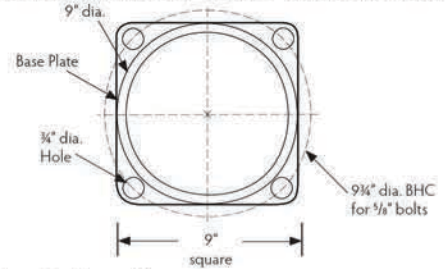
Weatherproof receptacle mounted 18" from the top of the base on the shaft, 90° clockwise to the handhole: add "W2" to the catalog number. For other receptacle options, specify or contact factory.

Banner arms, flag brackets, luminaires, and other attachments are available. Contact factory.



Charleston Style poles in Pleasanton, CA

Charleston Anchor Bolt Pattern Detail



How to Specify

Description: The pole shaft and base (and mounting flange) shall all be molded of non-corroding fiberglass reinforced composite, pigmented throughout, and finished in the same color as specified. The (fluted) shafts shall be non-tapered and formed with 12 flutes separated by semi-flat ribs. The (smooth) shafts shall be filament wound with a smooth, tapered (non-tapered) surface. The base shall be shaped similar to Shakespeare Composite Structures Charleston style ACH9 (anchor base) / BCH9 (direct burial).

Dimensions: The pole shall be 9.5 or 12.5 feet mounting height (custom heights available) with a 9-inch square base. A 3" diameter by 3" high aluminum tenon shall be provided for luminaire mounting. (Direct Burial) The direct burial foundation shall be 40" overall length and provided with a 2.5" x 12" conductor entrance centered 24" from the bottom of the direct burial base (see order logic for other options). (Anchor Base) The external mounting flange shall accommodate 4 anchor bolts 5/8" x 18" x 3" in a 9.75" bolt circle.

Construction: The (smooth) shaft shall be round with a uniform taper, or non-tapered 5" diameter. The (fluted) shaft shall be 5" diameter, non-tapered. A handhole with a weather resistant cover shall be provided in the base for wiring access (if anchor base) and anchorage. The opening shall be no smaller than 3" wide by 5.5" high. The cover shall be made of fiberglass reinforced composite and shall bear the manufacturer's name. The cover shall be attached with 2 stainless steel flat countersunk hex socket head screws. Threaded inserts shall be incorporated in the pole base.

The (anchor base) mounting flange shall be molded in one piece of fiberglass reinforced composite with a minimum thickness of 1" and shall be permanently bonded flush to the bottom of the base. Each pole shall be finished with a (glossy / semi-gloss) weather resistant polyurethane having a minimum dry film thickness of 1.5 mils.

(Add "Performance and Testing Requirements" from the Specification Data sheet on page 3.)

Catalog Numbers for Charleston Style 9"

Base Type A=Anchor Base B=Direct Burial Style CH=Charleston	Shaft Type R=Fluted straight, 5" S=Smooth tapered V=Smooth straight, 5"	Color 1=Black 2=Gray 3=Brown 4=Dk Green 5=Dk Bronze 6=Silver 7=White 9=Specify*	Options (See "Options" above)
--	---	--	---

ACH9 - 9.5 R S 1 1

Base Dia. (in.) 9" square	Mounting Height (ft.) 9.5 or 12.5; custom heights available	Finish G=Gloss S=Semi-gloss	Direct Burial Conduit Entrance (use "1" for Anchor Base) Location from bottom of pole																		
			<table border="1"> <tr> <td></td> <td>1 ea. 2"x12"</td> <td>2 ea. 2"x12" @ 180°</td> </tr> <tr> <td>None</td> <td>1</td> <td>1</td> </tr> <tr> <td>12"</td> <td>2</td> <td>3</td> </tr> <tr> <td>18"</td> <td>4</td> <td>5</td> </tr> <tr> <td>24"</td> <td>6</td> <td>7</td> </tr> <tr> <td>Other (specify)</td> <td>0</td> <td>0</td> </tr> </table>		1 ea. 2"x12"	2 ea. 2"x12" @ 180°	None	1	1	12"	2	3	18"	4	5	24"	6	7	Other (specify)	0	0
	1 ea. 2"x12"	2 ea. 2"x12" @ 180°																			
None	1	1																			
12"	2	3																			
18"	4	5																			
24"	6	7																			
Other (specify)	0	0																			

Charleston Style pole with 5" smooth, non-tapered shaft

*Standard, premium, and architectural colors are available. See Tuff-Pole® Color Palette brochure.

EPA Rating

Charleston CH9 style poles are engineered to withstand at least 100 mph wind forces, with luminaires up to 6.2 EPA (sq. ft.) weighing up to 150 pounds. Many Other loading options are available. For other loading requirements, contact the factory.

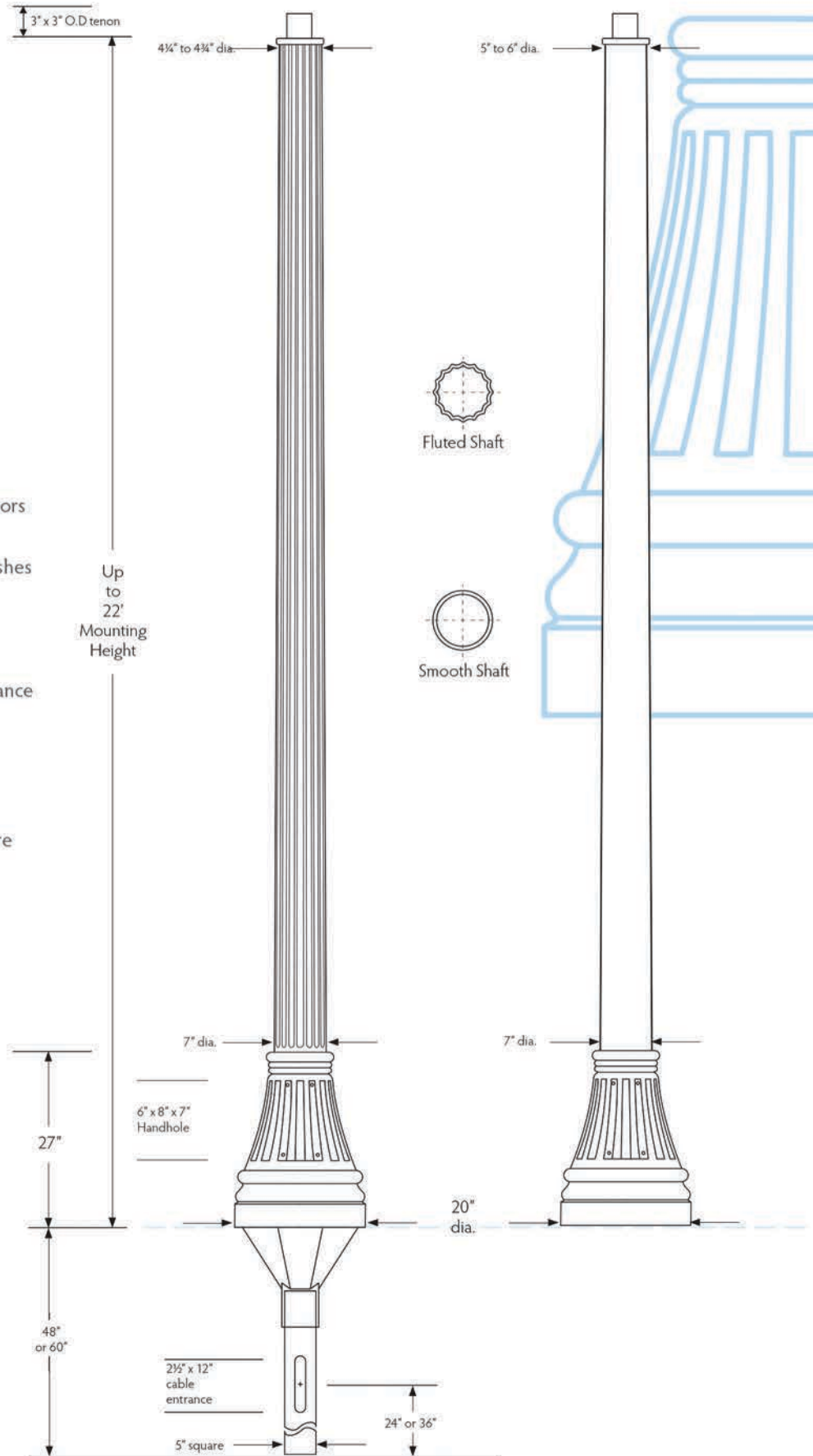
Jefferson Style, 20" Anchor Base and Direct Burial

THE HISTORICAL SERIES

Jefferson

Distinctive, classical beauty

- Virtually maintenance free, durable fiberglass reinforced composite
- One-piece construction
- Smooth or fluted, tapered shafts
- Standard or custom finishes and colors
- Standard, special, premium, and architectural colors available, or any color can be matched
- Gloss or semi-gloss finishes standard; custom finishes available
- Mounting heights of 9.5, 12, or 14.5 feet; custom heights to 22 feet
- Superior wind, loading, and environmental tolerance
- Non-conductive for safety
- Molded-in color
- UV and weather resistant polyurethane coating
- Standard 3" x 3" dia. aluminum tenon for luminaire mounting
- Anchor Base or Direct Burial

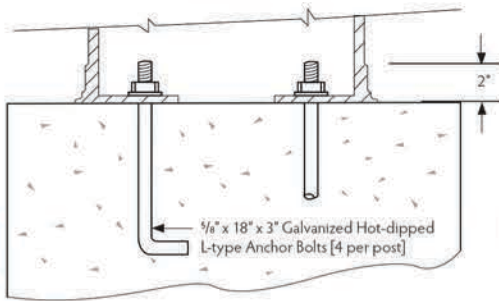


AJ20 and BJ20

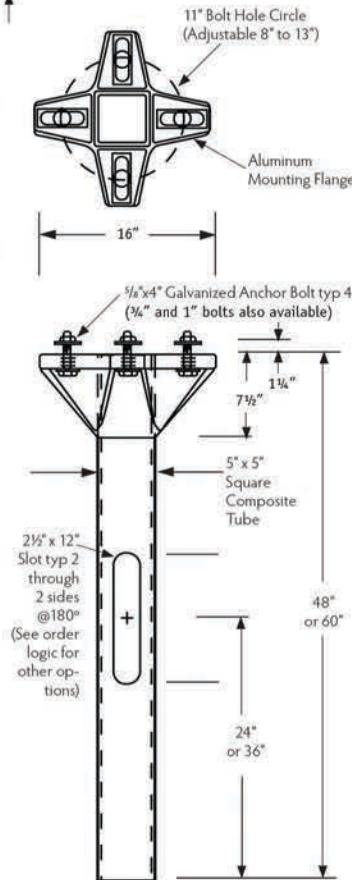
Jefferson, 20" Anchor and Direct Burial Base

All dimensions and specifications nominal, and subject to change without notice or obligation. Please contact factory before site preparation begins.

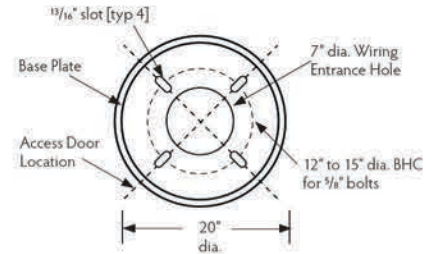
Suggested Anchorage Detail (Anchor Base)



Optional Composite Burial Foot



Jefferson Anchor Bolt Pattern Detail



OPTIONS

3-Bolt Base or optional **Bolt Circle**: contact factory. Weatherproof **receptacle** mounted 9" from top of pole, 90° clockwise from handhole: add "W1" to the catalog number.

Weatherproof **receptacle** mounted 18" from the top of the base on the shaft, 90° clockwise to the handhole: add "W2" to the catalog number. For other receptacle options, specify or contact factory.

Banner arms, flag brackets, luminaires, and other attachments are available. Contact factory.

Decorative Twin Fixture Crossarm (Catalog number A-30) add "A1" to pole catalog number. See Arms and Brackets, Section C in this catalog, for other decorative twin arms.

Detachable **Composite Burial Foot** permits direct burial of foot prior to mounting. See Burial Foot brochure for specifications and catalog numbers.

How to Specify

Description: The pole shaft and base (and internal mounting flange) shall all be molded of non-corroding fiberglass reinforced composite, pigmented throughout, and finished in the same color as specified. The (fluted) shafts shall be tapered and formed with 16 flutes separated by semi-flat ribs. The (smooth) shafts shall be filament wound with a smooth, tapered surface. The base shall be shaped similar to Shakespeare Composite Structures Jefferson Style AJ20 (anchor base) / BJ20 (direct burial).

Dimensions: The pole shall be 9.5, 12, or 14.5 feet mounting height (custom heights to 22') with a 20-inch diameter base. A 3" diameter by 3" high aluminum tenon shall be provided for luminaire mounting. (Direct Burial) The direct burial foundation shall be 48" (60") overall length and provided with a 2.5" x 12" conductor entrance centered 24" (36") from the bottom of the direct burial base (see order logic for other options). (Anchor Base) The internal mounting flange shall be provided with four 13/16" slots to accommodate 4 anchor bolts 5/8" x 18" x 3" in a 12" to 15" bolt circle.

Construction: The shaft shall be round with a uniform taper along the fluted (smooth) shaft. A handhole with a weather resistant cover shall be provided in the base for wiring access (if anchor base) and anchorage. The opening shall be no smaller than 6" wide at the top by 8" at the bottom by 7" high. The cover shall be made of fiberglass reinforced composite and shall bear the manufacturer's name. The cover shall be attached with 2 stainless steel flat countersunk hex socket head screws. Threaded inserts shall be incorporated in the pole base.

The (anchor base) mounting flange shall be molded in one piece of fiberglass reinforced composite with a minimum thickness of 1/2" and shall be permanently bonded flush to the bottom of the base. Each pole shall be finished with a (glossy / semi-gloss) weather resistant polyurethane having a minimum dry film thickness of 1.5 mils.

(Add "**Performance and Testing Requirements**" from the Specification Data sheet on page 3.)

Catalog Numbers for Jefferson Style 20"

Base Type A=Anchor Base B=Direct Burial Style J=Jefferson	Shaft Type F=Fluted S=Smooth	Color 1=Black 2=Gray 3=Brown 4=Dk Green 5=Dk Bronze 6=Silver 7=White 9=Specify*	Options (See "Options" above)																		
AJ20	-12	F	G																		
Base Dia. (in.) 20"	Mounting Height (ft.) 9.5, 12, 14.5, or custom up to 22	Finish G=Gloss S=Semi-gloss	Direct Burial Conduit Entrance (use "1" for Anchor Base) Location from bottom of pole																		
			<table border="1"> <thead> <tr> <th></th> <th>1 ea. 2"x12"</th> <th>2 ea. 2"x12" @ 180°</th> </tr> </thead> <tbody> <tr> <td>None</td> <td>1</td> <td>1</td> </tr> <tr> <td>12"</td> <td>2</td> <td>3</td> </tr> <tr> <td>18"</td> <td>4</td> <td>5</td> </tr> <tr> <td>24"</td> <td>6</td> <td>7</td> </tr> <tr> <td>Other (specify)</td> <td>0</td> <td>0</td> </tr> </tbody> </table>		1 ea. 2"x12"	2 ea. 2"x12" @ 180°	None	1	1	12"	2	3	18"	4	5	24"	6	7	Other (specify)	0	0
	1 ea. 2"x12"	2 ea. 2"x12" @ 180°																			
None	1	1																			
12"	2	3																			
18"	4	5																			
24"	6	7																			
Other (specify)	0	0																			

*Standard, premium, and architectural colors are available. See Tuff-Pole® Color Palette brochure.

EPA Rating

Jefferson J20 style poles are engineered to withstand at least 100 mph wind forces, with luminaires up to 6.2 EPA (sq. ft.) weighing up to 150 pounds. Many Other loading options are available. For other loading requirements, contact the factory.



Steamboat Springs Style, 10" Anchor Base and Direct Burial

THE HISTORICAL SERIES

Steamboat Springs

Distinctive, classical beauty

Virtually maintenance free, durable fiberglass reinforced composite

One-piece construction

Smooth or fluted straight, or smooth tapered shafts

Standard or custom finishes and colors

Standard, special, premium, and architectural colors available, or any color can be matched

Gloss or semi-gloss finishes standard; custom finishes available

Mounting heights of 9.5, or 12.5 feet; custom heights available

Superior wind, loading, and environmental tolerance

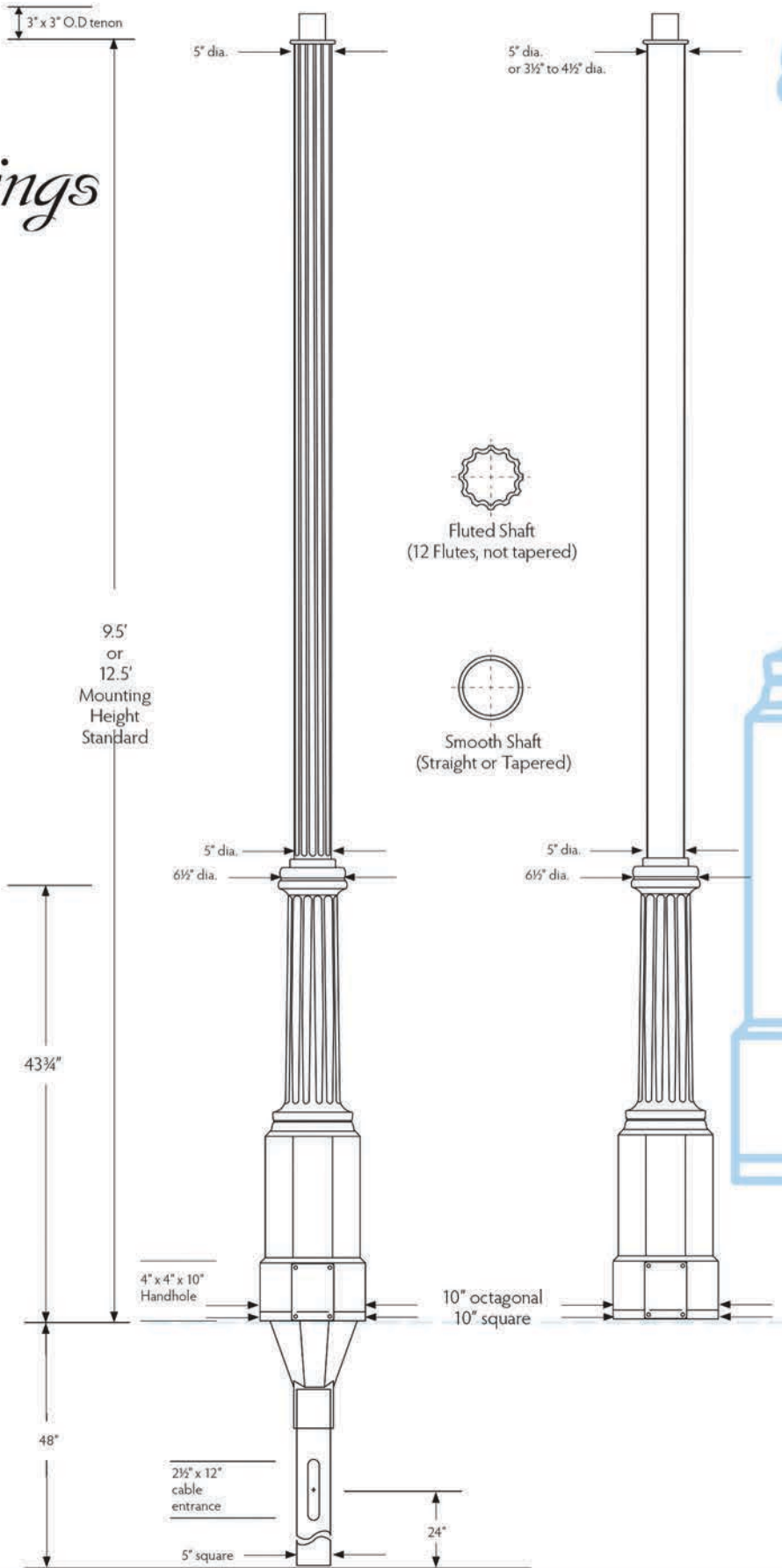
Non-conductive for safety

Molded-in color

UV and weather resistant polyurethane coating

Standard 3" x 3" dia. aluminum tenon for luminaire mounting

Anchor Base or Direct Burial

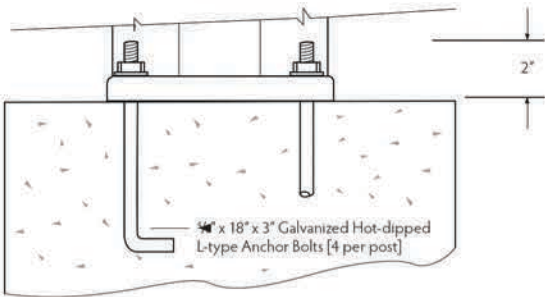


ASB10 and BSB10

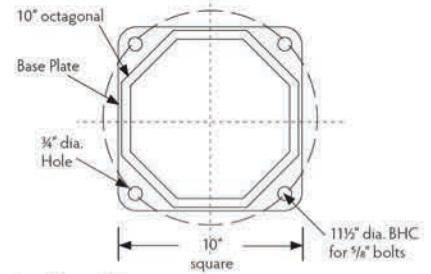
Steamboat Springs, 10" Anchor and Direct Burial Base

All dimensions and specifications nominal, and subject to change without notice or obligation. Please contact factory before site preparation begins.

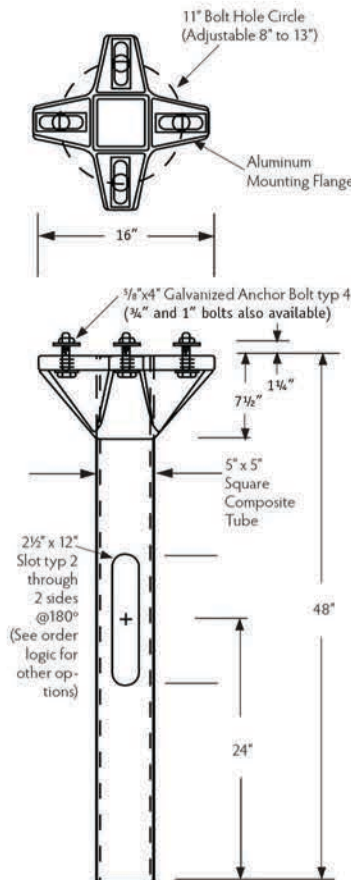
Suggested Anchorage Detail (Anchor Base)



Steamboat Springs Anchor Bolt Pattern Detail



Optional Composite Burial Foot



How to Specify

Description: The pole shaft and base (and mounting flange) shall all be molded of non-corroding fiberglass reinforced composite, pigmented throughout, and finished in the same color as specified. The (fluted) shafts shall be non-tapered and formed with 12 flutes separated by semi-flat ribs. The (smooth) shafts shall be filament wound with a smooth, tapered (non-tapered) surface. The base shall be shaped similar to Shakespeare Composite Structures Steamboat Springs style ASB10 (anchor base) / BSB10 (direct burial).

Dimensions: The pole shall be 9.5 or 12.5 feet mounting height (custom heights available) with a 10-inch square base. A 3" diameter by 3" high aluminum tenon shall be provided for luminaire mounting. (Direct Burial) The direct burial foundation shall be 40" overall length and provided with a 2.5" x 12" conductor entrance centered 24" from the bottom of the direct burial base (see order logic for other options). (Anchor Base) The external mounting flange shall accommodate 4 anchor bolts 5/8" x 18" x 3" in a 11.5" bolt circle.

Construction: The (smooth) shaft shall be round with a uniform taper, or non-tapered 5" diameter. The (fluted) shaft shall be 5" diameter, non-tapered. A handhole with a weather resistant cover shall be provided in the base for wiring access (if anchor base) and anchorage. The opening shall be no smaller than 4" wide at the top by 4" at the bottom by 10" high. The cover shall be made of fiberglass reinforced composite and shall bear the manufacturer's name. The cover shall be attached with 4 stainless steel flat countersunk hex socket head screws. Threaded inserts shall be incorporated in the pole base.

The (anchor base) mounting flange shall be molded in one piece of fiberglass reinforced composite with a minimum thickness of 1" and shall be permanently bonded flush to the bottom of the base. Each pole shall be finished with a (glossy / semi-gloss) weather resistant polyurethane having a minimum dry film thickness of 1.5 mils.

(Add "Performance and Testing Requirements" from the Specification Data sheet on page 3.)

EPA Rating

Steamboat Springs SB10 style poles are engineered to withstand at least 100 mph wind forces, with luminaires up to 6.2 EPA (sq. ft.) weighing up to 150 pounds. Many Other loading options are available. For other loading requirements, contact the factory.

OPTIONS

Weatherproof receptacle mounted 9" from top of pole, 90° clockwise from handhole: add "W1" to the catalog number.

Weatherproof receptacle mounted 18" from the top of the base on the shaft, 90° clockwise to the handhole: add "W2" to the catalog number. For other receptacle options, specify or contact factory.

Banner arms, flag brackets, luminaires, and other attachments are available. Contact factory.

Decorative Twin Fixture Crossarm (Catalog number A-30) add "A1" to pole catalog number. See Arms and Brackets, Section C in this catalog, for other decorative twin arms.

Detachable Composite Burial Foot permits direct burial of foot prior to mounting. See Burial Foot brochure for specifications and catalog numbers.

Catalog Numbers for Steamboat Springs Style 10"

Base Type A=Anchor Base B=Direct Burial Style SB=Steamboat Springs	Shaft Type R=Fluted straight, 5" S=Smooth tapered V=Smooth straight, 5"	Color 1=Black 2=Gray 3=Brown 4=Dk Green 5=Dk Bronze 6=Silver 7=White 9=Specify*	Options (See "Options" above)
--	---	--	---

ASB10 - 9.5 R S 1 1

Base Dia. (in.) 10" square	Mounting Height (ft.) 9.5 or 12.5; custom heights available	Finish G=Gloss S=Semi-gloss	Direct Burial Conduit Entrance (use "1" for Anchor Base) Location from bottom of pole																		
			<table border="1"> <tr> <td></td> <td>1 ea.</td> <td>2 ea.</td> </tr> <tr> <td>None</td> <td>1</td> <td>1</td> </tr> <tr> <td>12"</td> <td>2</td> <td>3</td> </tr> <tr> <td>18"</td> <td>4</td> <td>5</td> </tr> <tr> <td>24"</td> <td>6</td> <td>7</td> </tr> <tr> <td>Other (specify)</td> <td>0</td> <td>0</td> </tr> </table>		1 ea.	2 ea.	None	1	1	12"	2	3	18"	4	5	24"	6	7	Other (specify)	0	0
	1 ea.	2 ea.																			
None	1	1																			
12"	2	3																			
18"	4	5																			
24"	6	7																			
Other (specify)	0	0																			

*Standard, premium, and architectural colors are available. See Tuff-Pole® Color Palette brochure.



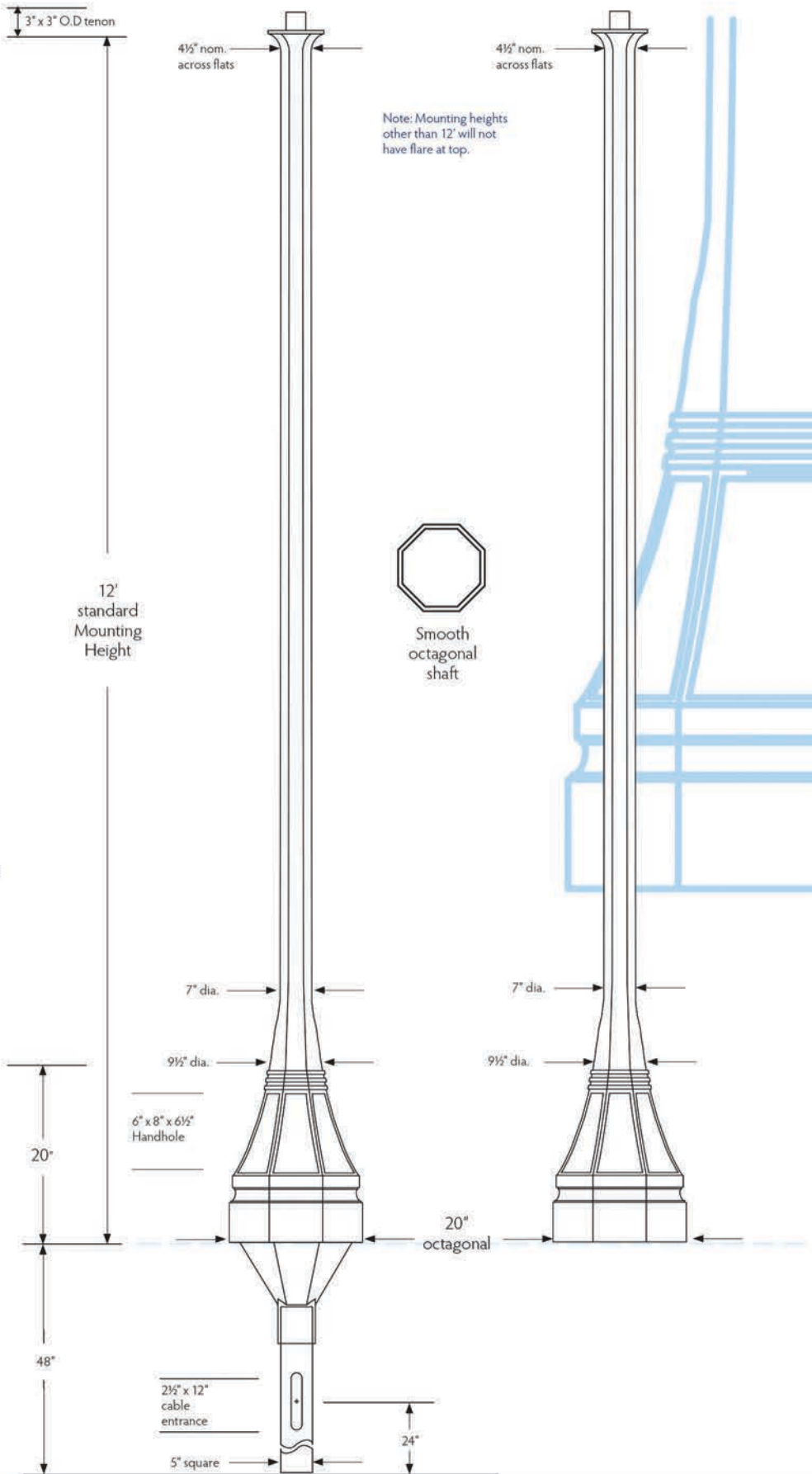
Syracuse Style, 20" Anchor Base and Direct Burial

THE HISTORICAL SERIES

Syracuse

Distinctive, classical beauty

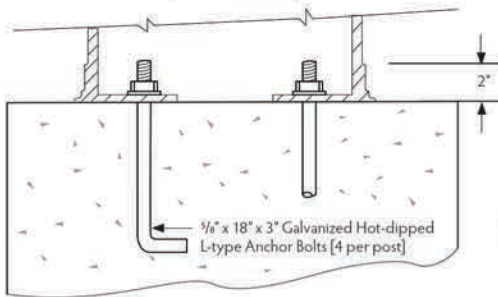
- Virtually maintenance free, durable fiberglass reinforced composite
- One-piece construction
- Smooth octagonal, tapered shafts
- Standard or custom finishes and colors
- Standard, special, premium, and architectural colors available, or any color can be matched
- Gloss or semi-gloss finishes standard; custom finishes available
- Mounting height of 12 feet; custom heights available
- Superior wind, loading, and environmental tolerance
- Non-conductive for safety
- Molded-in color
- UV and weather resistant polyurethane coating
- Standard 3" x 3" dia. aluminum tenon for luminaire mounting
- Anchor Base or Direct Burial



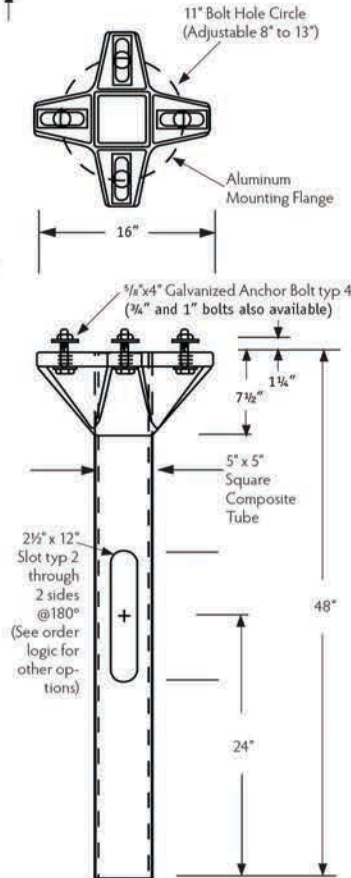
ASY20 and BSY20 Syracuse, 20" Anchor and Direct Burial Base

All dimensions and specifications nominal, and subject to change without notice or obligation. Please contact factory before site preparation begins.

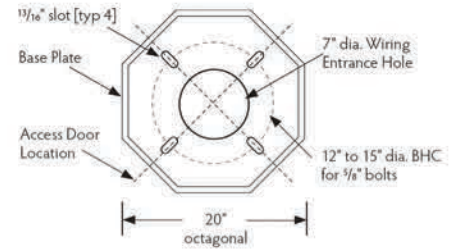
Suggested Anchorage Detail (Anchor Base)



Optional Composite Burial Foot



Syracuse Anchor Bolt Pattern Detail



OPTIONS

Weatherproof receptacle mounted 9" from top of pole, 90° clockwise from handhole: add "W1" to the catalog number.

Weatherproof receptacle mounted 18" from the top of the base on the shaft, 90° clockwise to the handhole: add "W2" to the catalog number. For other receptacle options, specify or contact factory.

Banner arms, flag brackets, luminaires, and other attachments are available. Contact factory.

Decorative Twin Fixture Crossarm (Catalog number A-30) add "A1" to pole catalog number. See Arms and Brackets, Section C in this catalog, for other decorative twin arms.

Detachable Composite Burial Foot permits direct burial of foot prior to mounting. See Burial Foot brochure for specifications and catalog numbers.

How to Specify

Description: The pole shaft and base (and internal mounting flange) shall all be molded of non-corroding fiberglass reinforced composite, pigmented throughout, and finished in the same color as specified. The shafts shall be tapered and formed with 8 sides having a smooth surface. The base shall be shaped similar to Shakespeare Composite Structures Syracuse style ASY20 (anchor base) / BSY20 (direct burial).

Dimensions: The pole shall be 12 (custom to 20) feet mounting height with a 20-inch octagonal base. A 3" diameter by 3" high aluminum tenon shall be provided for luminaire mounting. (Direct Burial) The direct burial foundation shall be 48" overall length and provided with a 2.5" x 12" conductor entrance centered 24" from the bottom of the direct burial base (see order logic for other options). (Anchor Base) The internal mounting flange shall be provided with four 13/16" slots to accommodate 4 anchor bolts 5/8" x 18" x 3" in a 12" to 15" bolt circle.

Construction: The shaft shall be octagonal with a uniform taper. A handhole with a weather resistant cover shall be provided in the base for wiring access (if anchor base) and anchorage. The opening shall be no smaller than 6" wide at the top by 8" at the bottom by 6.5" high. The cover shall be made of fiberglass reinforced composite and shall bear the manufacturer's name. The cover shall be attached with 3 stainless steel flat countersunk hex socket head screws. Threaded inserts shall be incorporated in the pole base.

The (anchor base) mounting flange shall be molded in one piece of fiberglass reinforced composite with a minimum thickness of 1/2" and shall be permanently bonded flush to the bottom of the base. Each pole shall be finished with a (glossy / semi-gloss) weather resistant polyurethane having a minimum dry film thickness of 1.5 mils.

(Add "Performance and Testing Requirements" from the Specification Data sheet on page 3.)

Catalog Numbers for Syracuse Style 20"

Base Type A=Anchor Base B=Direct Burial SY=Syracuse	Shaft Type O=Octagonal Smooth	Color 1=Black 2=Gray 3=Brown 4=Dk Green 5=Dk Bronze 6=Silver 7=White 9=Specify*	Options (See "Options" above)
---	---	--	---

ASY20 - 12 O G 1 1

Base Dia. (in.) 20" dia.	Mounting Height (ft.) 12 standard	Finish G=Gloss S=Semi-gloss	Direct Burial Conduit Entrance (use "1" for Anchor Base) Location from bottom of pole																		
			<table border="1"> <tr> <th></th> <th>1 ea. 2"x12"</th> <th>2 ea. 2"x12" @ 180°</th> </tr> <tr> <td>None</td> <td>1</td> <td>1</td> </tr> <tr> <td>12"</td> <td>2</td> <td>3</td> </tr> <tr> <td>18"</td> <td>4</td> <td>5</td> </tr> <tr> <td>24"</td> <td>6</td> <td>7</td> </tr> <tr> <td>Other (specify)</td> <td>0</td> <td>0</td> </tr> </table>		1 ea. 2"x12"	2 ea. 2"x12" @ 180°	None	1	1	12"	2	3	18"	4	5	24"	6	7	Other (specify)	0	0
	1 ea. 2"x12"	2 ea. 2"x12" @ 180°																			
None	1	1																			
12"	2	3																			
18"	4	5																			
24"	6	7																			
Other (specify)	0	0																			

*Standard, premium, and architectural colors are available. See Tuff-Pole® Color Palette brochure.

EPA Rating

Syracuse SY20 style poles are engineered to withstand at least 100 mph wind forces, with luminaires up to 6.2 EPA (sq. ft.) weighing up to 150 pounds. Many Other loading options are available. For other loading requirements, contact the factory.



 Shakespeare
A valmont BRAND

**COMPOSITE
TUFF-POLE®**

THE HISTORICAL SERIES



San Gabriel SG21 with SCTW Decorative Twin Arm and Modified Acorn Luminaires

 Shakespeare
A valmont BRAND

19845 U.S. Highway 76, Newberry, SC 29108
803-276-5504 · 800-800-9008 · Fax: 803-276-8940 · www.skp-cs.com