

CONNECT AND PROTECT

nVent CADDY Rod Lock Spring Steel

Fixing and Fastening Solutions

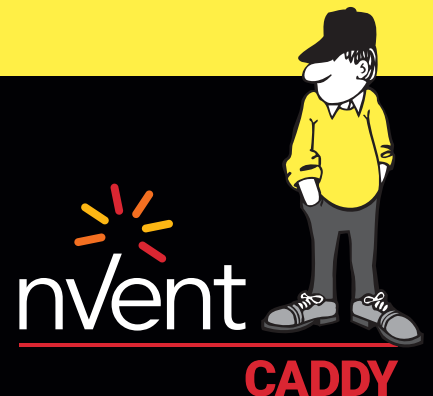


Table of Contents

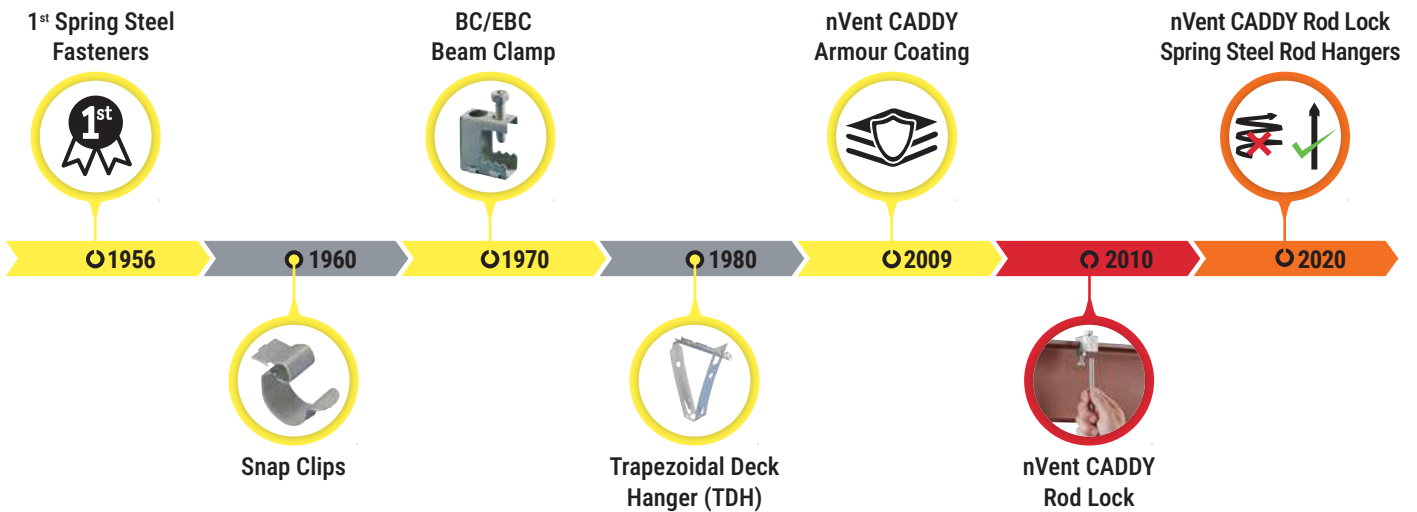
Introduction	3
Fasteners Timeline	3
How Does it Work	3
nVent CADDY Armour Coating	4
Comparative Test Results	4
Buy American Act Compliance	4
nVent CADDY Rod Lock Spring Steel Rod Hangers	5
Installation Steps.....	6
Features Guide.....	7
nVent CADDY Rod Lock Spring Steel Rod Hanger	8
nVent CADDY Rod Lock Spring Steel Rod Hanger with Offset Bracket	9
nVent CADDY Rod Lock Spring Steel Rod Hanger to Flange Clip	10
nVent CADDY Rod Lock Spring Steel Rod Hanger to Beam Clamp	11
nVent CADDY Rod Lock Spring Steel Rod Hanger with Angle Bracket	12
nVent CADDY Rod Lock Spring Steel Rod Hanger with Pin Driven Angle Bracket	13
nVent CADDY Rod Lock Spring Steel Rod Hanger with Nail Gun Bracket	14
nVent CADDY Rod Lock Spring Steel Rod Hanger with Shot-Fire Bracket	15
nVent CADDY Quick Channel Nut	16
Installation Steps.....	16
Features Guide.....	17
nVent CADDY Rod Lock Spring Steel Strut Nut	18

Introduction

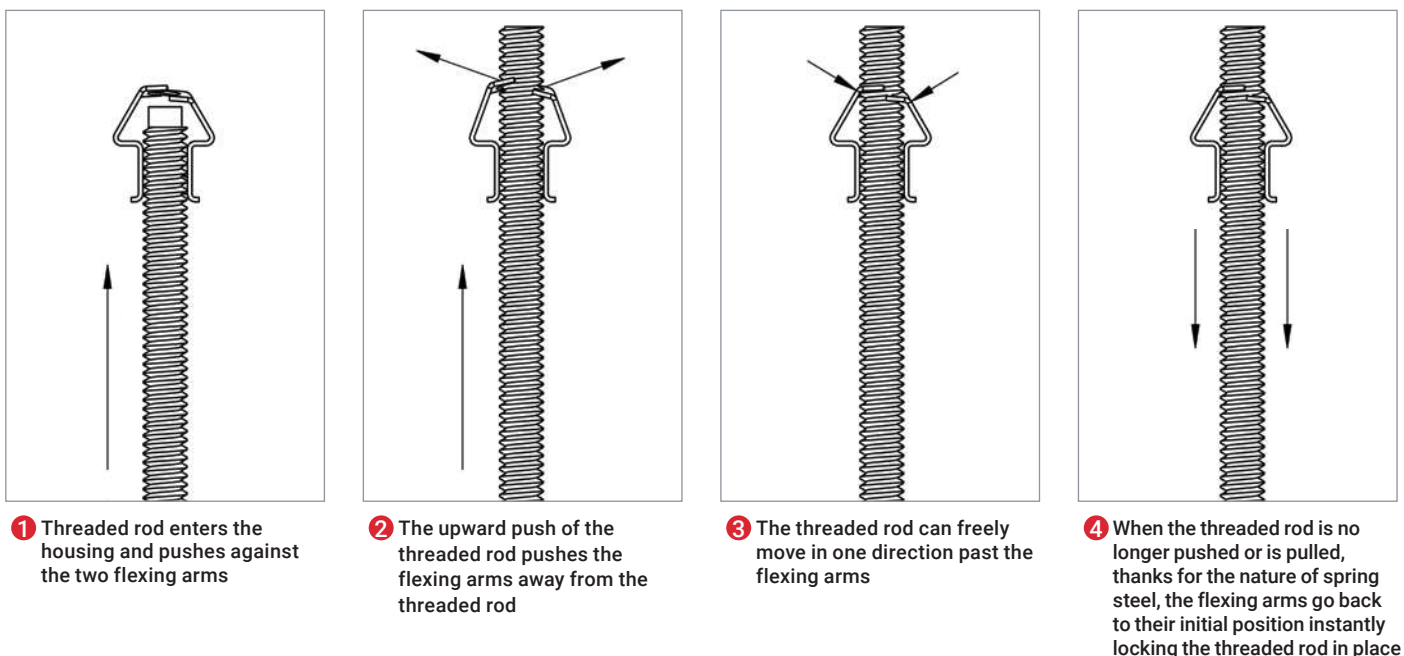
Since 1956, nVent CADDY is a trusted industry leader of premium fixing and fastening solutions that improve overall efficiency for electrical/ datacom and HVAC contractors. With over 60 years of industry experience in designing and manufacturing spring steel fasteners, nVent CADDY is now introducing the patented “push-to-install” Rod Lock technology for threaded rods of single and multiple rods applications.



Fasteners Timeline



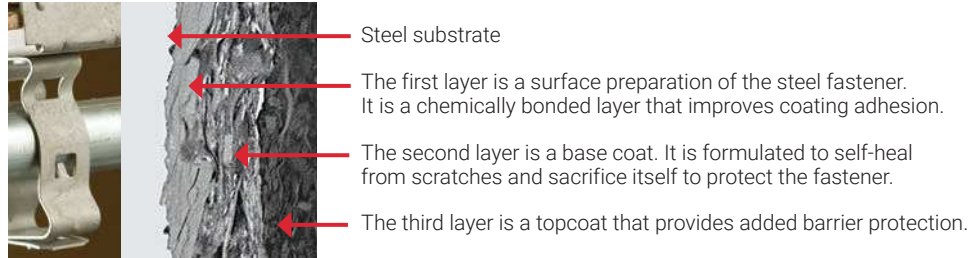
How Does it Work



nVent CADDY Armour Coating

Unlike most manufacturers of spring steel, nVent CADDY spring steel products are all stamped, heat treated and coated with **nVent CADDY Armour** in-house, where we can control all aspects of the process and focus on the quality output so customers get the best solution for the job.

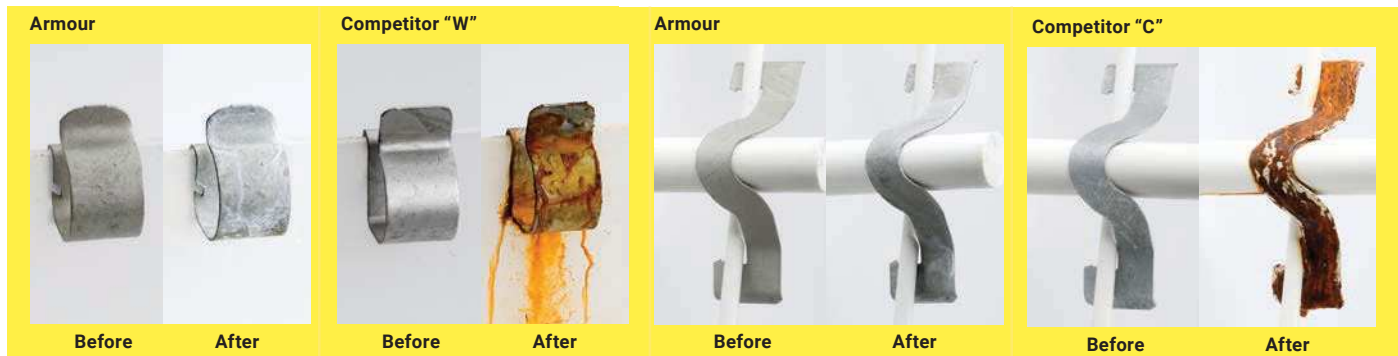
The latest nVent CADDY innovation in coating technology; a three-layer coating system that is RoHS (Restriction of Hazardous Substances Directive) compliant.



Comparative Test Results

To demonstrate the superior corrosion protection, our engineers subjected Armour and our competition to the same rigorous testing. To best simulate actual application conditions, we conducted comparative product testing* at an outside certified laboratory. Cyclic corrosion testing, developed by the automotive industry to simulate conditions over a period of time, and salt-spray testing were conducted to assess coating performance. Fasteners were tested under installed condition to best simulate job site application conditions.

The photos below demonstrate product performance after 1,000 hours of salt-spray testing:



* Salt-spray testing test method: ASTM B117 / DIN 50021; Cyclic corrosion test method: GM 9540P. See <https://www.nVent.com/our-brands/CADDY> for the terms of the Armour 10-year limited warranty.

Buy American Act Compliance



nVent CADDY Rod Lock Spring Steel Fasteners are Buy American Act compliant. Visit [ERICO.com](https://www.ERICO.com) for a complete list of compliant products.

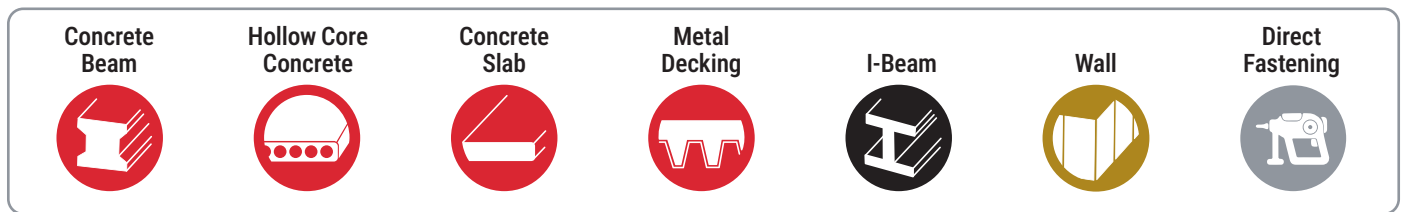
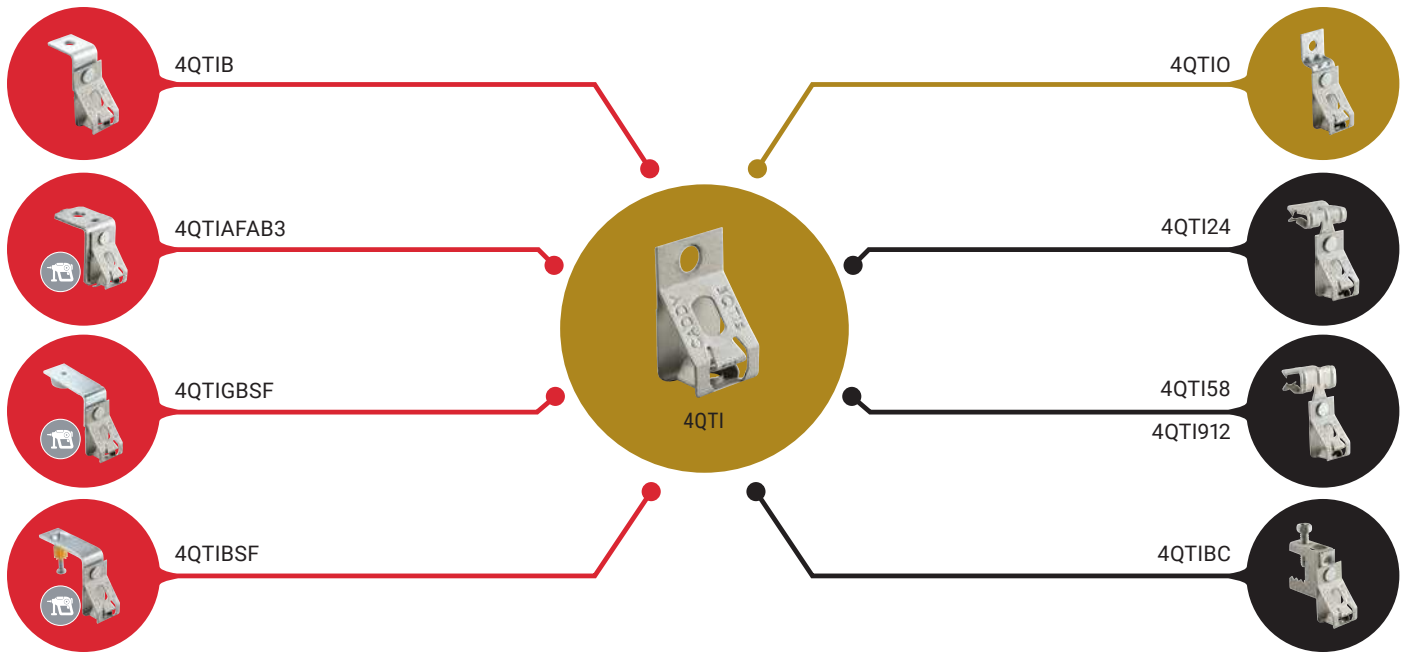
nVent CADDY Rod Lock Spring Steel Fasteners are manufactured in Solon, Ohio, allowing the nVent CADDY team to control every step of the process and ensure each part meets strict quality standards. From the steel used to the nVent CADDY Armour coating on our spring steel parts, each step of our process ensures customers receive premium products. Through your purchase of nVent CADDY products, you invest in American-made and engineered products, supporting hundreds of U.S.-based manufacturing jobs.

nVent CADDY Rod Lock Spring Steel Rod Hangers

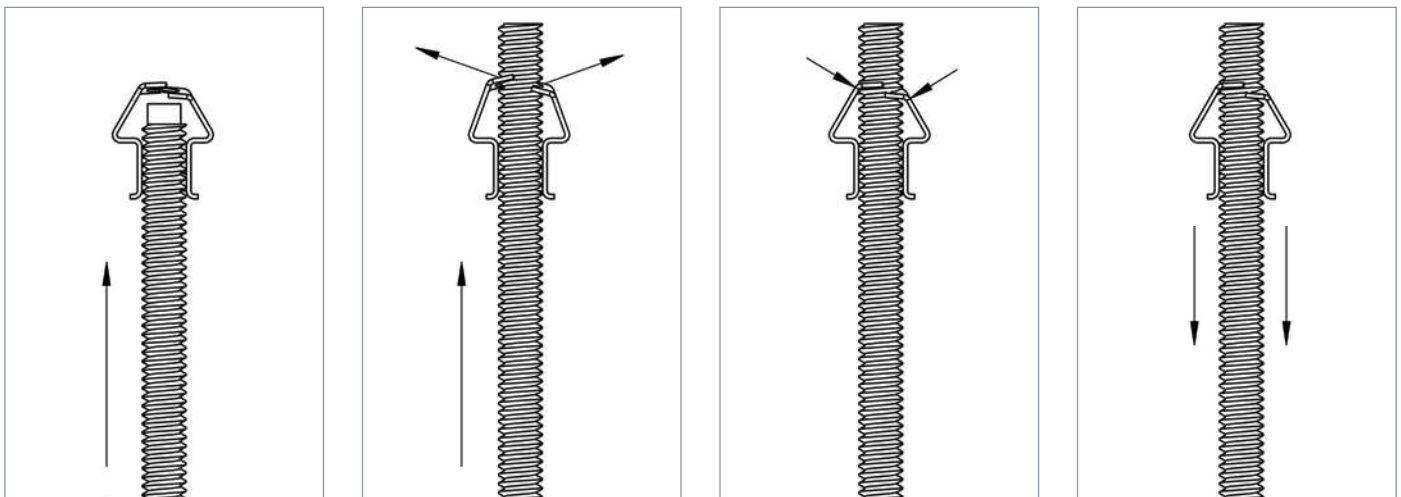
The image consists of three panels on a yellow background, each with a white background and a black diagonal section. The first panel is labeled 'FAST' and features a red circular icon with a clock. Below the icon, a red 'X' is placed over a wavy line representing a traditional hanger, and a green checkmark is placed over a straight rod. The second panel is labeled 'EASY' and features a red circular icon with crossed wrench and screwdriver. Below the icon, a white arrow points up and a black arrow points down, indicating the ease of adjustment. The third panel is labeled 'SAFE' and features a red circular icon with a hard hat. Below the icon, the nVent logo and a cartoon character wearing a hard hat and safety glasses are shown, with the word 'CADDY' written below the character.



nVent CADDY Rod Lock Spring Steel Rod Hangers



Installation Steps



nVent CADDY Rod Lock Spring Steel Rod Hangers

Features Guide

SAFETY FEATURES

Spring steel material for higher strength and durability

Safety factor of 3:1 on static load

Compliant with UL 2239 – Hardware for the support of conduit, tubing and cable

nVent CADDY Armour Coating carries a 10-year warranty against corrosion

The nVent standard for nVent CADDY Armour includes at least 1,000 hours resistance against red rust when tested per the ASTM B117, DIN 50021 or ISO/R1456 salt spray tests

nVent CADDY Armour finish is RoHS & REACH Compliant

FASTER INSTALL FEATURES

Patented nVent CADDY Rod Lock “push-to-install” technology making the installation of prefabricated light-duty trapezes or even single-rod application even faster

Fine-tuning of the installation height can be done by spinning the threaded rod

EASE OF USE FEATURES

Can be fixed on a wall using an anchor screw or available pre-riveted to a variety of nVent CADDY Fasteners

Release mechanism allowing quick removal of the threaded rod using a pair of pliers

Works with ¼" threaded rod

Works with slightly damaged threaded rod ends and minor burrs



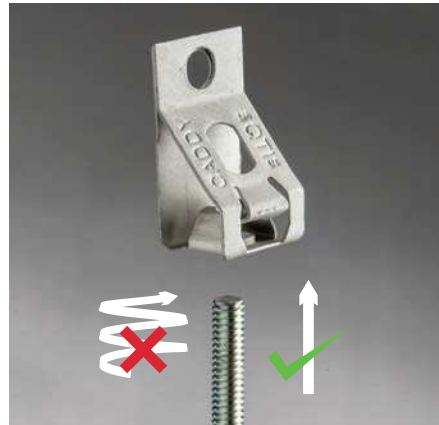
The color of the line corresponds to the larger goal of each feature:

SAFETY FEATURES

FASTER INSTALL FEATURES

EASE OF USE FEATURES

nVent CADDY Rod Lock Spring Steel Rod Hanger

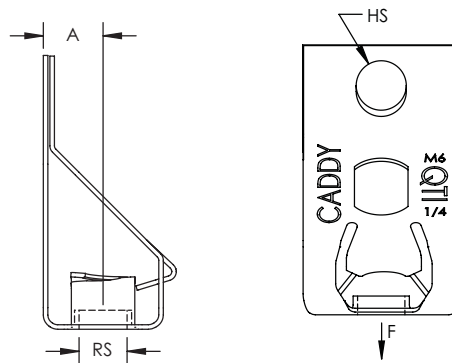


FEATURES

- Supports rod from block or concrete walls
- Easy “push-to-install” design allows installers to simply push the threaded rod through the mounting hole, instantly holding it in position
- Prefabricated assemblies easily lift and lock into place, helping to save time and money
- Works with slightly damaged threads and minor burrs on threaded rod ends
- Design includes a release mechanism that works with pliers

Material: Spring Steel
Finish: nVent CADDY Armour

Part Number	Rod Size RS	Hole Size HS	A	Static Load F
4QT1	1/4"	0.28"	0.33"	75 lb



nVent CADDY Rod Lock Spring Steel Rod Hanger with Offset Bracket



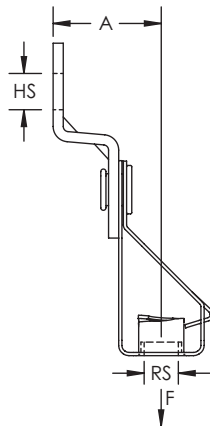
FEATURES

- Suspends threaded rod from vertical structures such as laminated wood or concrete beams, joists, ceilings and walls
- Easy “push-to-install” design allows installers to simply push the threaded rod through the mounting hole, instantly holding it in position
- Prefabricated assemblies easily lift and lock into place, helping to save time and money
- Works with slightly damaged threads and minor burrs on threaded rod ends
- Design includes a release mechanism that works with pliers

Material: Spring Steel; Steel
 Finish: nVent CADDY Armour; Electrogalvanized

Part Number	Rod Size RS	Hole Size HS	A	Static Load F
4QTIO	1/4"	0.28"	0.84"	75 lb

Loads indicated are for nVent CADDY Fasteners only.
 Method of attachment to structure must be evaluated separately.



nVent CADDY Rod Lock Spring Steel Rod Hanger to Flange Clip

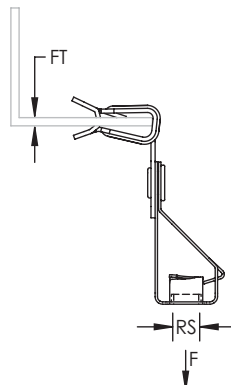


FEATURES

- Suspends threaded rod from beam flanges
- Threaded rod hanger can swivel to provide a vertical dropdown
- Requires only a hammer to install
- Easy "push-to-install" design allows installers to simply push the threaded rod through the mounting hole, instantly holding it in position
- Prefabricated assemblies easily lift and lock into place, helping to save time and money
- Works with slightly damaged threads and minor burrs on threaded rod ends
- Design includes a release mechanism that works with pliers

Material: Spring Steel
Finish: nVent CADDY Armour

Part Number	Rod Size RS	Flange Thickness FT	Static Load F
4QT124	1/4"	1/8" - 1/4"	75 lb
4QT158	1/4"	5/16" - 1/2"	75 lb
4QT1912	1/4"	9/16" - 3/4"	75 lb



nVent CADDY Rod Lock Spring Steel Rod Hanger to Beam Clamp

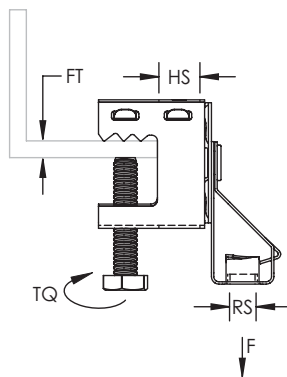


FEATURES

- Suspends threaded rod from beam flanges
- Threaded rod hanger can swivel to provide a vertical dropdown
- Easy "push-to-install" design allows installers to simply push the threaded rod through the mounting hole, instantly holding it in position
- Prefabricated assemblies easily lift and lock into place, helping to save time and money
- Works with slightly damaged threads and minor burrs on threaded rod ends
- Design includes a release mechanism that works with pliers

Material: Spring Steel
Finish: nVent CADDY Armour

Part Number	Rod Size RS	Flange Thickness FT	Hole Size HS	Torque TQ	Static Load F
4QTIBC	1/4"	1/2" Max	7/16"	20 in lb	75 lb



nVent CADDY Rod Lock Spring Steel Rod Hanger with Angle Bracket



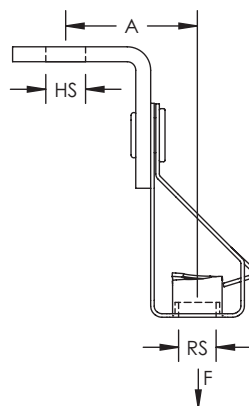
FEATURES

- Suspends threaded rod from horizontal structures such as laminated wood or concrete beams, joists, ceilings and walls
- Easy “push-to-install” design allows installers to simply push the threaded rod through the mounting hole, instantly holding it in position
- Prefabricated assemblies easily lift and lock into place, helping to save time and money
- Works with slightly damaged threads and minor burrs on threaded rod ends
- Design includes a release mechanism that works with pliers

Material: Spring Steel; Steel
Finish: nVent CADDY Armour; Pregalvanized

Part Number	Rod Size RS	Hole Size HS	A	Static Load F
4QTIB	1/4"	0.28"	0.93"	75 lb

Loads indicated are for nVent CADDY Fasteners only.
Method of attachment to structure must be evaluated separately.



nVent CADDY Rod Lock Spring Steel Rod Hanger with Pin Driven Angle Bracket



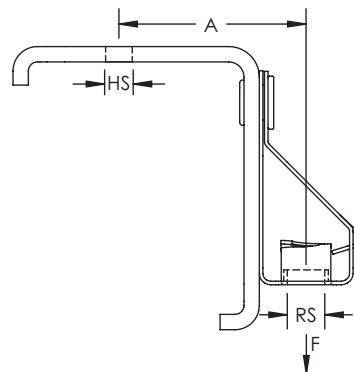
FEATURES

- Longer leg angle bracket for tool clearance
- Designed to fit a variety of pin drivers
- Improved for easier installation with pin drivers
- Quickly and easily attaches to concrete, steel or composite metal decking
- Easy "push-to-install" design allows installers to simply push the threaded rod through the mounting hole, instantly holding it in position
- Prefabricated assemblies easily lift and lock into place, helping to save time and money
- Works with slightly damaged threads and minor burrs on threaded rod ends
- Design includes a release mechanism that works with pliers

Material: Spring Steel; Steel
Finish: nVent CADDY Armour; Pregalvanized

Part Number	Rod Size RS	Hole Size HS	A	Static Load F
4QTIAFAB3	1/4"	3/16"	1.32"	75 lb

Load limits apply to nVent CADDY Fasteners only.
Pin must be evaluated separately.



nVent CADDY Rod Lock Spring Steel Rod Hanger with Nail Gun Bracket



FEATURES

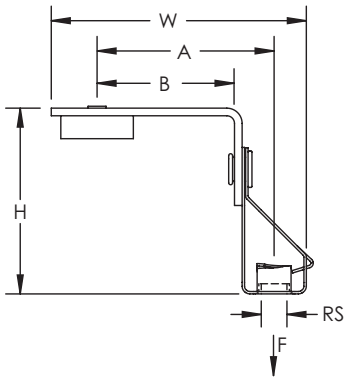
- Suspends threaded rod without the need for additional hardware
- Complete with concrete nail gun insert bracket
- Clips onto nozzle of gas or battery-actuated nail guns allowing for hands-off installation at structure or from the floor using a pole
- Longer leg angle bracket for tool clearance
- Quickly and easily attaches to concrete, steel or composite metal decking
- Easy "push-to-install" design allows installers to simply push the threaded rod through the mounting hole, instantly holding it in position
- Prefabricated assemblies easily lift and lock into place, helping to save time and money
- Works with slightly damaged threads and minor burrs on threaded rod ends
- Design includes a release mechanism that works with pliers

Material: Spring Steel; Steel; Nylon
 Finish: nVent CADDY Armour; Electrogalvanized

Part Number	Rod Size RS	Height H	Width W	A	B	Static Load F
4QTIGBSF	1/4"	1.92"	2.63"	1.83"	1.42"	75 lb

Static Load represents the static load of the nail gun insert assembly. Please consult with the nail manufacturer to evaluate the static load of the nail and type of concrete used for the installation. Maximum load is the lesser of the static load from the nail manufacturer or the published load for the assembly.

Nail gun insert is compatible with BeA® CN60-688ES, Hilti® BX 3, GX 3, DEWALT® Trak-It C3, SPIT® PULSA 800E, 700, 1000 or equivalent nailers.



nVent CADDY Rod Lock Spring Steel Rod Hanger with Shot-Fire Bracket



FEATURES

- Suspends threaded rod without the need for additional hardware
- Complete with shot-fire bracket and pre-assembled drive pin from DEWALT®
- Quickly and easily attaches to concrete, steel or composite metal decking
- Integrated pin installs easily using powder-actuated or single-shot gas-actuated tools
- ICC-ES ESR-2024 evaluation report available for drive pin from DEWALT®
- Easy “push-to-install” design allows installers to simply push the threaded rod through the mounting hole, instantly holding it in position
- Prefabricated assemblies easily lift and lock into place, helping to save time and money
- Works with slightly damaged threads and minor burrs on threaded rod ends
- Design includes a release mechanism that works with pliers

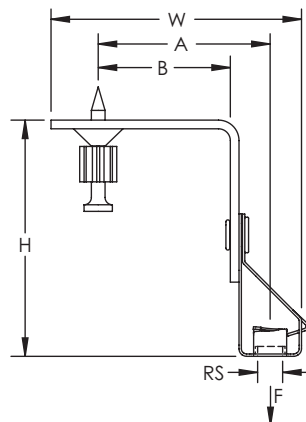
Material: Spring Steel; Steel
Finish: nVent CADDY Armour; Electrogalvanized

Part Number	Rod Size RS	Height H	Width W	A	B	Static Load F
4QTIBSF	1/4"	2 1/2"	2.65"	1.82"	1.4"	75 lb

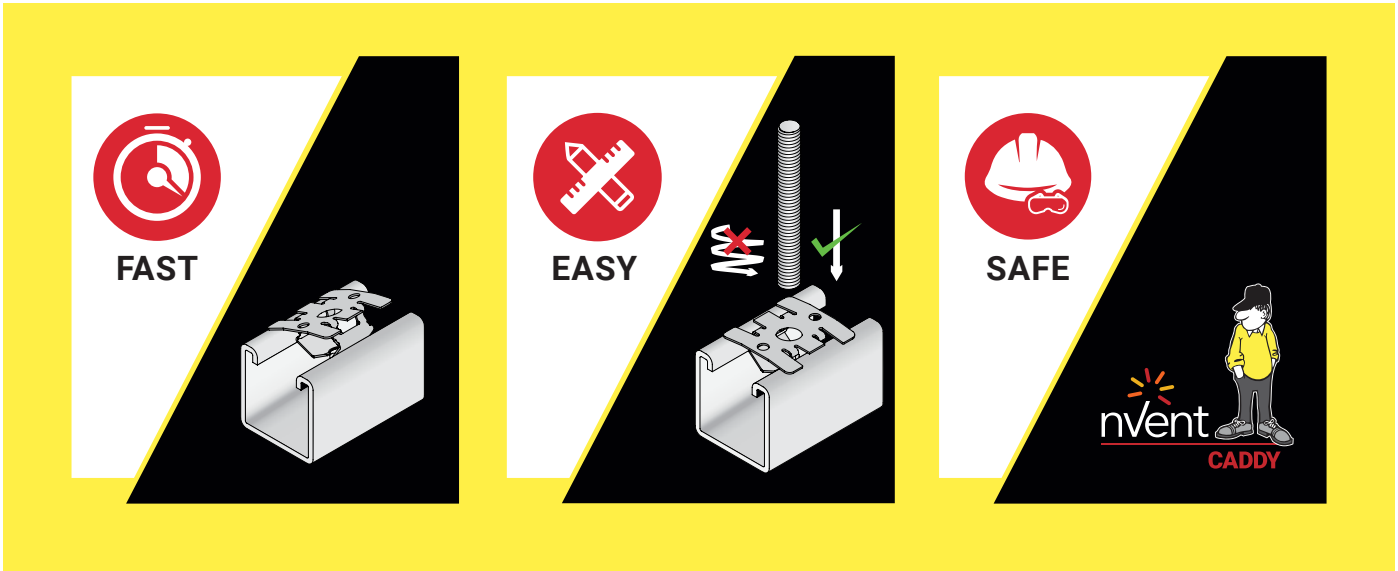
Uses DEWALT® part number DFD3374.

Static load was established based on a 1" (25.4 mm) embedment depth and 3,000 psi (20.68 MPa) lightweight concrete. For variations in embedment and material please consult anchors.dewalt.com.

Pre-assembled drive pin from DEWALT® works with DEWALT® P1000, P2201, P3500/PA3500, P35s, P60, P7201, T1000, Sniper; Hilti® DX2, DX35, DX350/DX351/DX36M, DX400, DX460/DX5, DXA40, DXA41, DXE37, DXE72; Ramset® 721, Cobra, D45, M70, SA270, Viper/Viper4 or equivalent nailers.



nVent CADDY Quick Channel Nut



Installation Steps



nVent CADDY Quick Channel Nut

Features Guide

SAFETY FEATURES

Spring steel material for higher strength and durability

Safety factor of 3:1 on static load

Compliant with UL 2239 – Hardware for the support of conduit, tubing and cable

nVent CADDY Armour Coating carries a 10-year warranty against corrosion

The nVent standard for nVent CADDY Armour includes at least 1,000 hours resistance against red rust when tested per the ASTM B117 / EN ISO 9227 salt spray tests

nVent CADDY Armour finish is RoHS & REACH Compliant

No need to put fingers into strut

Flared edges grip strut return-lip after tightening fastener

Nut clamps tight on thread when load is applied and wedge outward to securely engage strut

Unique thread engages deeper than a typical thread or thread impression

FASTER INSTALL FEATURES

Based on the patented nVent CADDY Rod Lock “push-to-install” technology, this unique Channel Nut makes the installation of prefabricated light-duty trapezes or even single-rod application even faster

Fine-tuning of the installation height / final tightening of the installation can be done by spinning the threaded rod / bolt

Snap-to-Strut Channel

- No coil spring to fight with
- No need to put fingers into strut

EASE OF USE FEATURES

Works with slightly damaged threaded rod ends and minor burrs

Integrated washer with spring tabs holding QCN in position during installation and eliminating loose hardware / square washer

Spring Steel design allows nut to adjust to imperfect strut

Works with both imperial and metric threads of similar sizes:

- 1/4" & M6
- 5/16" & M8
- 3/8" & M10
- 1/2" & M12

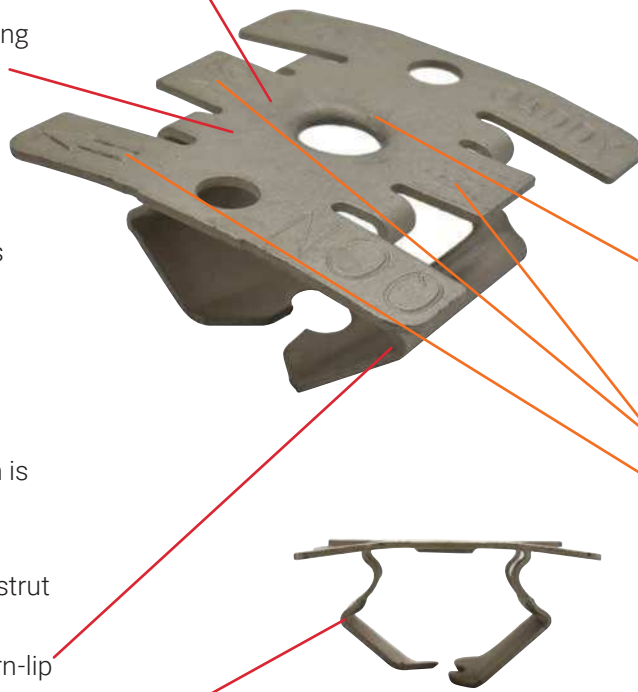
Extrusion guides threaded fastener into nut and thread arms without binding

Stampings on the part for simplicity:

- Threaded rod sizes
- Arrow indicates the side to hook first

Can be used in different configurations:

- Wall-mount applications
- Ceiling-mount applications
- Trapeze applications



The color of the line corresponds to the larger goal of each feature:

SAFETY FEATURES

FASTER INSTALL FEATURES

EASE OF USE FEATURES

nVent CADDY Rod Lock Spring Steel Strut Nut



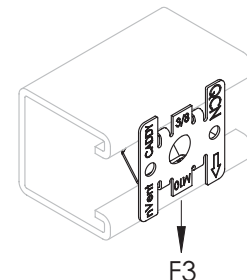
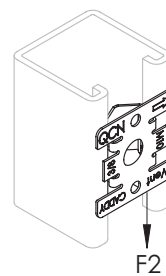
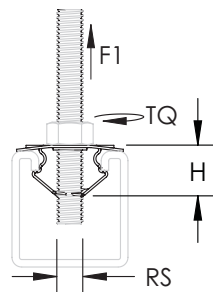
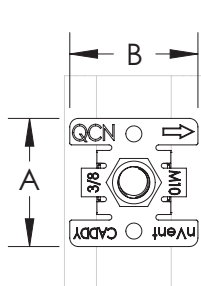
FEATURES

- Easy "push-to-install" design allows installers to simply push the threaded rod through the mounting hole, instantly holding it in position
- Works with slightly damaged threads and minor burrs on the threaded rod
- Perfect for quickly installing branch strut runs either at the load with standard strut or at the structure in combination with embedded strut
- Integrated design eliminates the need for finicky spring nuts and loose hardware, simplifying install
- Quickly wall mount enclosures using common threaded bolts
- Designed for use with standard strut widths (1 5/8" or 41 mm) both shallow and deep profiles



Material: Spring Steel
Finish: nVent CADDY Armour

Part Number	Rod Size RS	Height H	A	B	Static Load 1 F1	Static Load 2 F2	Static Load 3 F3	Torque TQ
4QCN	1/4"	0.72"	1 1/2"	1 1/2"	75 lb	20 lb	30 lb	10 ft lb
5QCN	5/16"	0.72"	1 1/2"	1 1/2"	100 lb	25 lb	50 lb	10 ft lb
6QCN	3/8"	0.72"	1 1/2"	1 1/2"	110 lb	30 lb	50 lb	20 ft lb
8QCN	1/2"	0.67"	1 1/2"	1 1/2"	125 lb	30 lb	50 lb	25 ft lb





Our powerful portfolio of brands:

CADDY ERICO HOFFMAN RAYCHEM SCHROFF TRACER



[nVent.com/CADDY](https://www.nVent.com/CADDY)