

CUSTOMER NAME _____

Project Name _____

Date _____ Type _____

Catalog Number _____

Flex Series

Recessed Canless Downlight

The **Flex Downlight Series** is designed to satisfy a wide range of general illumination applications up to 4600 lumens. Available in 4", 6", and 8" apertures with selectable lumen and CCT for easy changes at installation. The integral 120–277V driver provides 0–10V and ELV/Triac phase dimming making it ideal for a wide range of applications

CONSTRUCTION

| | |
|--------------------------|--|
| Reflector: | Spun aluminum |
| Lens: | Diffuse Polycarbonate |
| Paint: | Powder coat white |
| Weights: | Up to 1.8 lbs (0.82 kg) |
| Optical Assembly: | Custom engineered reflectors for wide distribution |

OPTICAL SYSTEM

| | |
|----------------------|--|
| Lumens: | Selectable, 750–4600 lm See ordering logic below |
| Distribution: | Very Wide (90°) with 1:1 Spacing Criteria |
| Efficacy: | Up to 106 LPW |
| CCT: | Selectable 2700K/3000K/3500K/4000K/5000K <i>Bold indicates switch default</i> |
| CRI: | 90 CRI |

ELECTRICAL

| | |
|--|----------|
| Input Voltage: | 120–277V |
| Input Frequency: | 50/60Hz |
| Power Factor (PF)*: | PF>0.9 |
| Total Harmonic Distortion (THD)*: | <20% |

* PF and THD may vary with options

CONTROLS

| | |
|-----------------|---|
| Dimming: | Multi-Dim 0–10V to 5% and ELV/Triac Phase Dimming to 10% |
|-----------------|---|

AMBIENT TEMPERATURE

| TYPE | TEMPERATURE RATE |
|------------------------------|------------------|
| Operating Temperature | 25° C |

LUMEN MAINTENANCE

| |
|----------------------------|
| L80 > 54,000 hrs |
| L70 > 54,000 hrs |

MOUNTING

- New construction, Remodel, and Retrofit
- Install from below
- Optional frame kits for new construction

DESIGN LIFE & WARRANTY

- ETL Listed, 4" model IC rated; 6" and 8" models are Non-IC; Air-tight rated, JA-8 (4" only)
- **Current's Limited 5-year Warranty:** Please see website.



Ordering Information Module

| <u>LRX</u> | <u>--</u> | <u>X</u> | <u>9</u> | <u>SW</u> | <u>EL</u> | |
|----------------------------------|-------------------------|----------------------------|----------|--|---|--|
| FAMILY | SHAPE/SIZE | LUMENS ¹ | CRI | CCT | DIMMING | OPTIONS |
| LRX = Lumination® Flex Downlight | R4 = 4" Round Downlight | 1X = 750/1100/1500 | 9 = 90 | SW = Selectable CCT (2700K/3000K/3500K/4000K/5000K) | Standard with Multi-Dim 0-10V to 1% and ELV/Triac Phase Dimming to 5% | EL = Emergency Ready EL is standard offering, refer to wiring diagrams in installation instructions for details. |
| | R6 = 6" Round Downlight | 2X = 1100/1500/2500 | | | | |
| | R8 = 8" Round Downlight | 4X = 3000/4000/4600 | | | | |

Notes:

1. Default settings are in **BOLD**.






ACCESSORIES

All Accessories are ordered separately

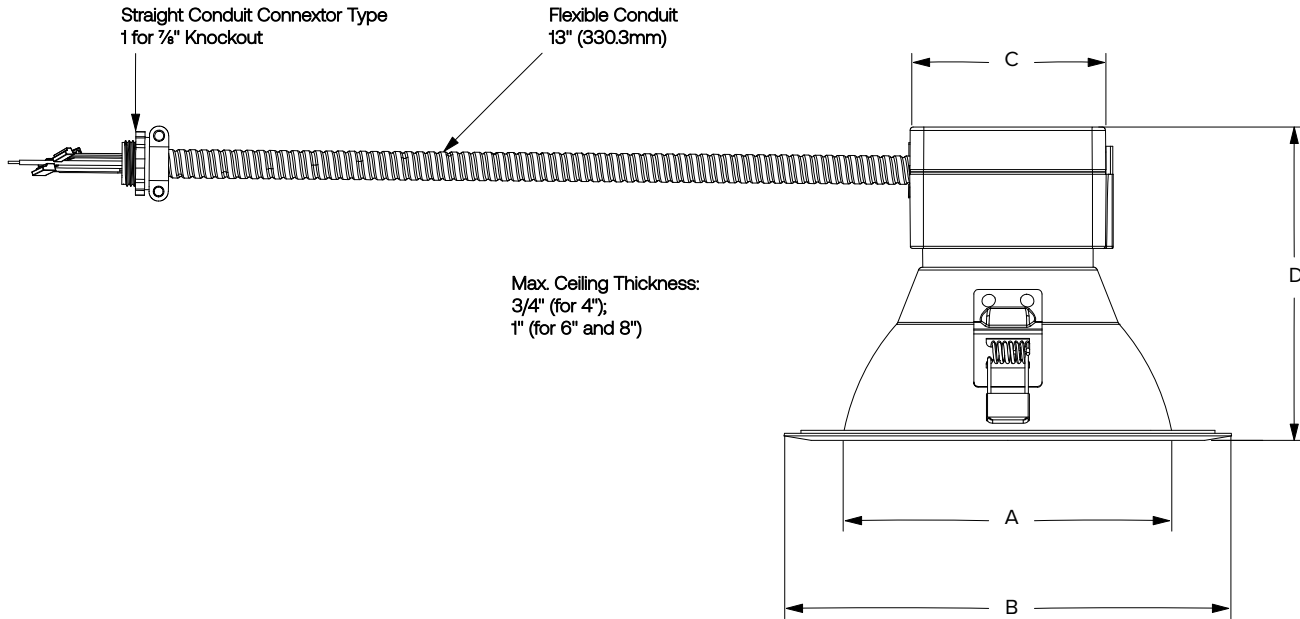
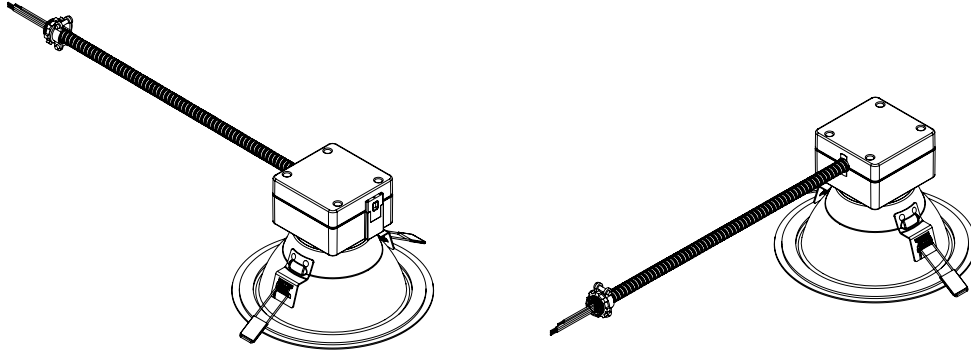
| CATALOG STRING | PRODUCT DESCRIPTION | NOTES |
|--------------------------------------|--|--|
| FRAME KITS | | |
| FRAME4R-HB | Frame Kit, New Construction, 4" Round | Includes Bar Hangers |
| FRAME6R-HB | Frame Kit, New Construction, 6" Round | Includes Bar Hangers |
| FRAME4S-HB | Frame Kit, New Construction, 4" Square | Includes Bar Hangers |
| FRAME6S-HB | Frame Kit, New Construction, 6" Square | Includes Bar Hangers |
| FRAME8-HB | Frame Kit, New Construction, 8" Round/Square | Includes Bar Hangers |
| J-BOX | | |
| J-BOX | Snap-In Junction Box Assembly | For optional use with FRAME KITS listed above. (Ships separately.) |
| EMERGENCY BATTERY BACKUP KITS | | |
| LDEMBBKIT | Emergency Battery Backup Kit, Remote Mount | J-BOX is already included as an integral part of this kit. |
| COLOR TRIM RINGS | | |
| LRXTRIMR4WH | Trim Ring, Snap-In, 4" Round, White | Non-Conductive |
| LRXTRIMR4BL | Trim Ring, Snap-In, 4" Round, Black | Non-Conductive |
| LRXTRIMR4SV | Trim Ring, Snap-In, 4" Round, Silver | Non-Conductive |
| LRXTRIMR4SP | Trim Ring, Snap-In, 4" Round, Specular with White Trim | Non-Conductive |
| LRXTRIMR4SD | Trim Ring, Snap-In, 4" Round, Semi Diffuse with White Trim | Non-Conductive |
| LRXTRIMR6WH | Trim Ring, Snap-In, 6" Round, White | Non-Conductive |
| LRXTRIMR6BL | Trim Ring, Snap-In, 6" Round, Black | Non-Conductive |
| LRXTRIMR6SV | Trim Ring, Snap-In, 6" Round, Silver | Non-Conductive |
| LRXTRIMR6SP | Trim Ring, Snap-In, 6" Round, Specular with White Trim | Non-Conductive |
| LRXTRIMR6SD | Trim Ring, Snap-In, 6" Round, Semi Diffuse with White Trim | Non-Conductive |
| LRXTRIMR8WH | Trim Ring, Snap-In, 8" Round, White | Non-Conductive |
| LRXTRIMR8BL | Trim Ring, Snap-In, 8" Round, Black | Non-Conductive |
| LRXTRIMR8SV | Trim Ring, Snap-In, 8" Round, Silver | Non-Conductive |

ACCESSORIES CONTINUED

Trims snap-on to existing fixture flange (field installable)

| ROUND | | | | | |
|-------|---|---|---|---|--|
| | WHITE | SILVER | BLACK | SPECULAR WITH WHITE TRIM | SEMI-DIFFUSE WITH WHITE TRIM |
| |  |  |  |  |  |
| 4" | 93159585G LRXTRIMR4WH | 93151744 LRXTRIMR4SV | 93151745 LRXTRIMR4BL | 93151746 LRXTRIMR4SP | 93151747 LRXTRIMR4SD |
| 6" | 93159586G LRXTRIMR6WH | 93059502 LRXTRIMR6SV | 93059501 LRXTRIMR6BL | 93151752 LRXTRIMR6SP | 93151753 LRXTRIMR6SD |
| 8" | 93159587G LRXTRIMR8WH | 93059504 LRXTRIMR8SV | 93059503 LRXTRIMR8BL | | |

LUMINATION® FLEX DOWNLIGHTS



| APERTURE | CEILING CUTOUT MIN.-MAX. |
|----------|------------------------------------|
| 4" | 4.7" ~ 5.0" (119.4mm ~ 127.0mm) |
| 6" | 6.0" ~ 6.7" (152.4mm ~ 170.2mm) |
| 8" | 7.8" ~ 8.8" (198.1mm ~ 223.5mm) |

| NOMINAL APERTURE | "A" APERTURE DIAMETER | "B" OVERALL TRIM DIAMETER | "C" OVERALL MODULE HEAT SINK | "D" OVERALL HEIGHT (ASSEMBLED) |
|------------------|-----------------------|---------------------------|------------------------------|--------------------------------|
| 4" | 3.98" (101.2mm) | 5.6" (142.3mm) | 3.40" (86.4mm) | 4.68" (118.8mm) |
| 6" | 5.59" (141.9mm) | 7.75" (196.8mm) | 3.40" (86.4mm) | 5.43" (137.8mm) |
| 8" | 7.43" (188.6mm) | 9.75" (247.6mm) | 3.40" (86.4mm) | 6.02" (152.8mm) |

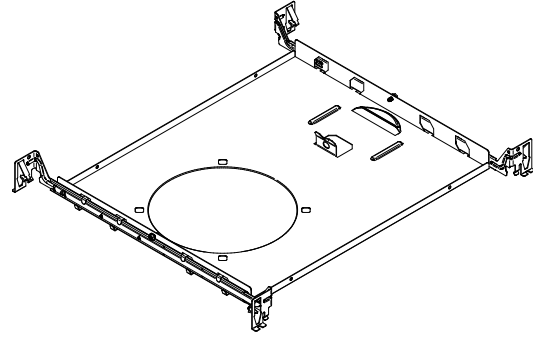
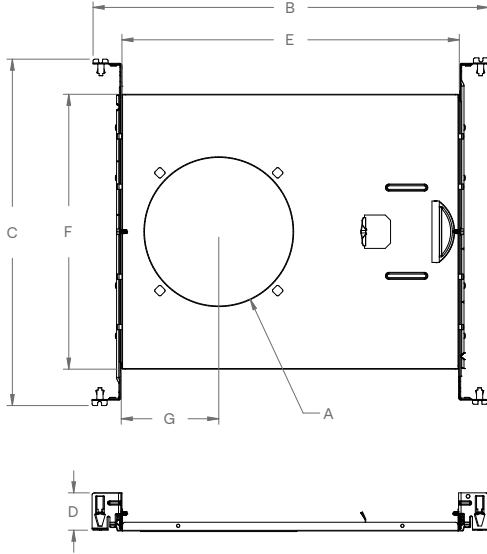
CUSTOMER NAME _____

Project Name _____

Date _____ Type _____

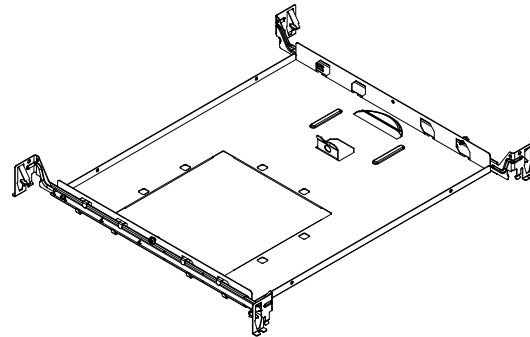
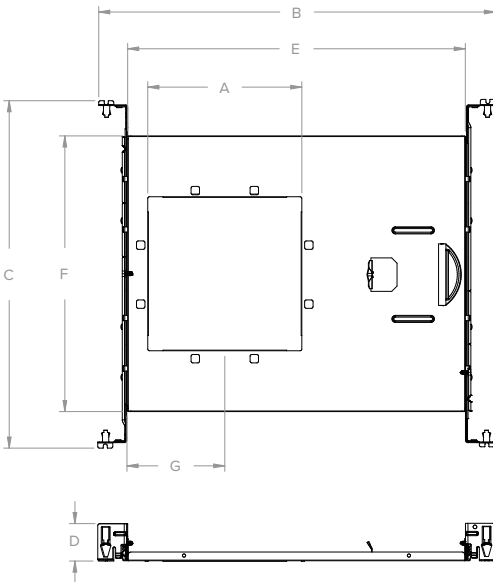
Catalog Number _____

4" and 6" Round



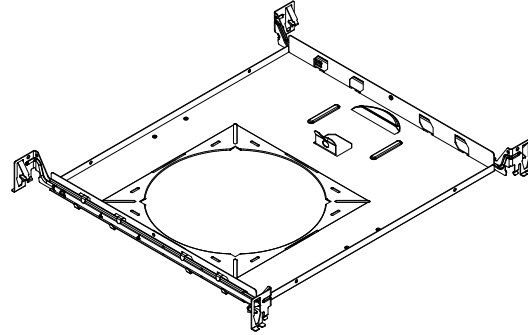
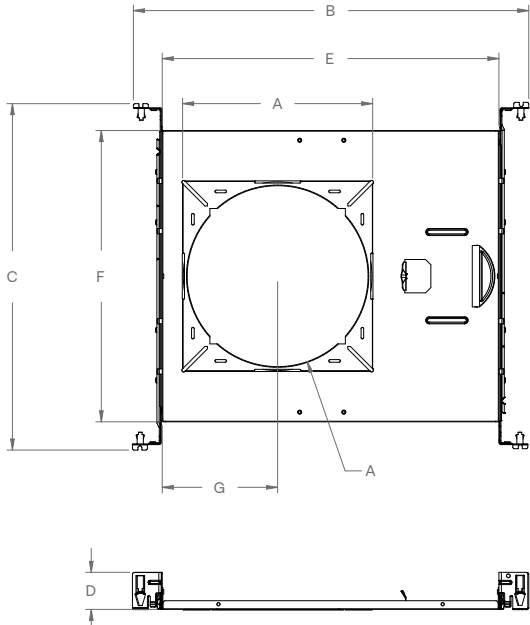
| CATALOG NUMBER | "A" APERTURE OPENING | "B" OVERALL LENGTH | "C" OVERALL WIDTH | "D" HEIGHT | "E" PAN LENGTH | "F" PAN WIDTH | "G" APERTURE CENTER |
|----------------|----------------------|---------------------|---------------------|-------------------|---------------------|---------------------|---------------------|
| FRAME4R-HB | Ø 4.94" (125.5mm) | 17.65" (448.3mm) | 14.57" (370.1mm) | 1.68" (42.7mm) | 15.03" (381.8mm) | 12.28" (311.9mm) | 4.32" (109.7mm) |
| FRAME6R-HB | Ø 6.64" (168.7mm) | | | | | | |

4" and 6" Square



| CATALOG NUMBER | "A" APERTURE OPENING | "B" OVERALL LENGTH | "C" OVERALL WIDTH | "D" HEIGHT | "E" PAN LENGTH | "F" PAN WIDTH | "G" APERTURE CENTER |
|----------------|------------------------|---------------------|---------------------|-------------------|---------------------|---------------------|---------------------|
| FRAME4S-HB | 4.83" (122.7mm) SQ. | 17.65" (448.3mm) | 14.57" (370.1mm) | 1.68" (42.7mm) | 15.03" (381.8mm) | 12.28" (311.9mm) | 4.32" (109.7mm) |
| FRAME6S-HB | 6.83" (173.5mm) SQ. | | | | | | |

| ACCESSORY | DESCRIPTION | "A" DIAMETER |
|------------|-------------|-----------------|
| FRAME4R-HB | 4" Round | 4.94" (123.8mm) |
| FRAME6R-HB | 6" Round | 6.64" (168.3mm) |
| FRAME8R-HB | 8" Round | 8.07" (205mm) |

8" Round/Square


Note:
The 8" Frame ships ready to accept round aperture trims but can be converted in the field for square aperture by snipping corners and bending at breakaway score lines.

| CATALOG NUMBER | "A" APERTURE OPENING | "B" OVERALL LENGTH | "C" OVERALL WIDTH | "D" HEIGHT | "E" PAN LENGTH | "F" PAN WIDTH | "G" APERTURE CENTER |
|----------------|--|--------------------------|-------------------------|-------------------|----------------------|---------------------|---------------------------|
| FRAME8-HB | Ø 8.07" (205mm) 8.46" (214.9mm) SQ. | 17.65" (448.3mm) | 14.57" (370.1mm) | 1.68" (42.7mm) | 15.03" (381.8mm) | 12.99" (329.9mm) | 5.14" (130.6mm) |

PERFORMANCE TABLE

| NOMINAL APERTURE | SWITCHABLE LUMEN SETTING | NOMINAL LUMENS | CAT # | CCT | CRI | DELIVERED LUMENS | WATTS | LPW |
|------------------|--------------------------|----------------|------------|------|-----|------------------|-------|-----|
| 4" | Low | 850 | LRXR41X9SW | 27K | 90 | 819 | 8.8W | 94 |
| | | | | 30K | | 831 | 8.8W | 95 |
| | | | | 35K | | 844 | 8.8W | 96 |
| | | | | 40K | | 857 | 8.8W | 98 |
| | | | | 50K | | 871 | 8.7W | 100 |
| | Med | 27K | | 1250 | | 1209 | 13.5W | 89 |
| | | 30K | | | | 1233 | 13.6W | 91 |
| | | 35K | | | | 1252 | 13.6W | 92 |
| | | 40K | | | | 1276 | 13.6W | 94 |
| | | 50K | | | | 1290 | 13.6W | 95 |
| | High | 1650 | | 27K | | 1581 | 18.8W | 84 |
| | | | | 30K | | 1612 | 18.8W | 86 |
| | | | | 35K | | 1639 | 18.9W | 87 |
| | | | | 40K | | 1668 | 18.9W | 88 |
| | | | | 50K | | 1705 | 19.1W | 89 |
| 6" | Low | 1400 | LRXR62X9SW | 27K | 90 | 1405 | 14.4W | 98 |
| | | | | 30K | | 1426 | 14.4W | 99 |
| | | | | 35K | | 1451 | 14.4W | 101 |
| | | | | 40K | | 1479 | 14.4W | 103 |
| | | | | 50K | | 1512 | 14.3W | 105 |
| | Med | 1750 | | 27K | | 1755 | 18.6W | 94 |
| | | | | 30K | | 1787 | 18.6W | 96 |
| | | | | 35K | | 1819 | 18.7W | 98 |
| | | | | 40K | | 1855 | 18.7W | 99 |
| | | | | 50K | | 1898 | 18.7W | 101 |
| | High | 2700 | | 27K | | 2637 | 30.8W | 86 |
| | | | | 30K | | 2682 | 30.7W | 87 |
| | | | | 35K | | 2720 | 30.7W | 89 |
| | | | | 40K | | 2765 | 30.7W | 90 |
| | | | | 50K | | 2773 | 30.8W | 90 |
| 8" | Low | 3300 | LRXR84X9SW | 27K | 90 | 3414 | 31.4W | 109 |
| | | | | 30K | | 3428 | 31.3W | 110 |
| | | | | 35K | | 3457 | 31.2W | 111 |
| | | | | 40K | | 3475 | 31.2W | 112 |
| | | | | 50K | | 3496 | 31.1W | 113 |
| | Med | 4300 | | 27K | | 4364 | 42.7W | 102 |
| | | | | 30K | | 4408 | 42.8W | 103 |
| | | | | 35K | | 4456 | 42.9W | 104 |
| | | | | 40K | | 4526 | 43.1W | 105 |
| | | | | 50K | | 4560 | 43.2W | 106 |
| | High | 4800 | | 27K | | 4746 | 47.8W | 99 |
| | | | | 30K | | 4776 | 47.7W | 100 |
| | | | | 35K | | 4805 | 47.5W | 101 |
| | | | | 40K | | 4829 | 47.4W | 102 |
| | | | | 50K | | 4901 | 48.1W | 102 |

CUSTOMER NAME _____

Project Name _____

Date _____ Type _____

Catalog Number _____

Photometric Data

4" Round

3000K

1500 LM

Selectable

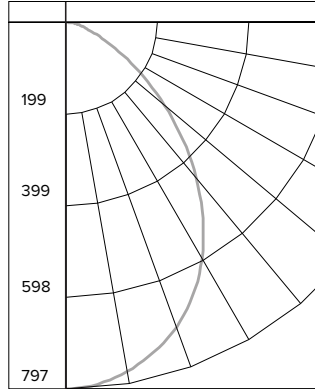
LRXR41X9SW

Beam Angle: 90°

Spacing Criterion: 1.14

ZONAL LUMEN SUMMARY

| Zone | Lumens | % Luminaire |
|-------|--------|-------------|
| 0-40 | 914 | 59.4 |
| 0-60 | 1383 | 89.9 |
| 0-90 | 1539 | 100.0 |
| 0-180 | 1539 | 100.0 |



CANDELA DISTRIBUTION

| Degree | Candela |
|--------|---------|
| 0 | 797 |
| 5 | 790 |
| 15 | 744 |
| 25 | 657 |
| 35 | 522 |
| 45 | 362 |
| 55 | 208 |
| 65 | 94 |
| 75 | 42 |
| 85 | 10 |

LUMINANCE DATA*

| Vertical Angle | Average |
|----------------|---------|
| 45° | 63029 |
| 55° | 44731 |
| 65° | 27368 |
| 75° | 19860 |
| 85° | 14525 |

*Candela/Square Meter

6" Round

3000K

2500 LM

Selectable

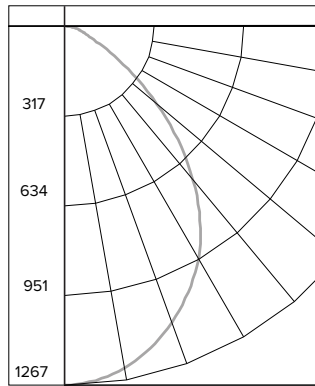
LRXR62X9SW

Beam Angle: 90°

Spacing Criterion: 1.14

ZONAL LUMEN SUMMARY

| Zone | Lumens | % Luminaire |
|-------|--------|-------------|
| 0-40 | 1464 | 60.9 |
| 0-60 | 2194 | 91.3 |
| 0-90 | 2403 | 100.0 |
| 0-180 | 2403 | 100.0 |



CANDELA DISTRIBUTION

| Degree | Candela |
|--------|---------|
| 0 | 1267 |
| 5 | 1255 |
| 15 | 1178 |
| 25 | 1037 |
| 35 | 840 |
| 45 | 571 |
| 55 | 298 |
| 65 | 117 |
| 75 | 58 |
| 85 | 15 |

LUMINANCE DATA*

| Vertical Angle | Average |
|----------------|---------|
| 45° | 44257 |
| 55° | 28493 |
| 65° | 15117 |
| 75° | 12283 |
| 85° | 9402 |

*Candela/Square Meter

8" Round

3000K

4600 LM

Selectable

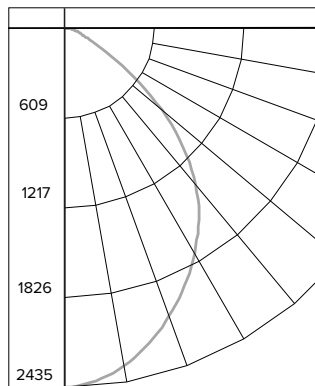
LRXR84X9SW

Beam Angle: 90°

Spacing Criterion: 1.12

ZONAL LUMEN SUMMARY

| Zone | Lumens | % Luminaire |
|-------|--------|-------------|
| 0-40 | 2753 | 60.8 |
| 0-60 | 4189 | 92.5 |
| 0-90 | 4527 | 100 |
| 0-180 | 4527 | 100 |



CANDELA DISTRIBUTION

| Degree | Candela |
|--------|---------|
| 0 | 2435 |
| 5 | 2407 |
| 15 | 2222 |
| 25 | 1940 |
| 35 | 1608 |
| 45 | 1156 |
| 55 | 600 |
| 65 | 198 |
| 75 | 92 |
| 85 | 24 |

LUMINANCE DATA*

| Vertical Angle | Average |
|----------------|---------|
| 45° | 50384 |
| 55° | 32245 |
| 65° | 14448 |
| 75° | 10910 |
| 85° | 8482 |

*Candela/Square Meter

Dimmer Compatibility List

Important Notice

Because dimming equipment, applications, and conditions of use are many, varied, and beyond Current's control, this information necessarily is based on limited samples sizes and testing. This list only included dimmers that have been tested with the Current's luminaires listed. There may be other dimmers on the market that are compatible with these Current's luminaires. If you have a question about a particular dimmer that is not on the list, please contact Current to see if the model has been tested, or to arrange testing.

1. Adjust the dimmer to the lowest setting.
2. Locate the trim adjustment and set to the lowest light level where the light output is stable.
3. Turn fixture off and on to ensure proper operation. If it is not operating as expected, adjust the trim up slightly and retest.

| DIMMER TYPE | DIMMER MANUFACTURER | DIMMER SERIES/MODELS |
|-------------|---------------------|-----------------------|
| 0-10V | Current | PSD0108-UNV |
| | Current | RSD710 |
| | Leviton | IP710 |
| | Lutron | NTSTV-DV |
| | Lutron | DVSTV |
| | Lutron | DVTV |
| | Synergy | ISD BC 120/277 |
| | Cooper | SF10P-W |
| | Enerlites | 51300L |
| | Eaton | DF10P-C1 |
| Triac | Lutron | CTCL-153P-WH |
| | Lutron | S2-LH |
| | Lutron | DV-600P |
| | Lutron | DV-603P-LA |
| | Lutron | CT-603P(R)-WH |
| | Lutron | DVCL-153P |
| | Legrand | HCL453PTCCCV6 |
| | Synergy/Leviton | ISD 600 120 / IPI06 |
| | Leviton | 6633-PA |
| | Leviton | 6631-PLW |
| | Leviton | 6613-PLA |
| Lutron | NLV-600-WH | |
| ELV | Current | RSDE06 |
| | Lutron | DVELV-300P-AL |
| | Lutron | NTELV-300-WH |
| | Lutron | SELV-300P |
| | Insteon | 2477D |
| | Lutron | PD-5NE |