

UHXMAX SERIES INDUSTRIAL LIGHTING

WESTGATE
THE FUTURE IS HERE...AND IT'S QUITE BRIGHT!

UHXMAX-180-240W-MCTPB-SR

MAX-FEATURE UFO-POWER & CCT&BEAM ADJUSTABLE SENSOR READY

MCTP Multi Color Temperature & Multi Power/Wattage (Selectable)

Customer Name: _____

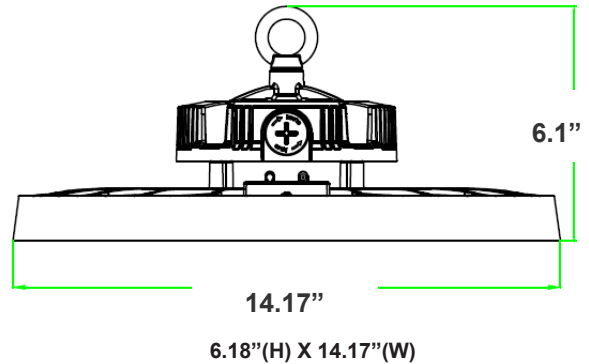
Project Name: _____

Note: _____

Type: _____



Avail. Finishes:



In a aluminium shell designed for heat dissipation, UHX is IP65 water resistant rated and ideal for general site lighting, alleys, loading docks, doorways, pathways, parking areas, warehouses and storage buildings.

Features

- Waterproof design, suitable for wet locations
- ADC12 Aluminum Heat Sink, Outdoor Powder Coating Finish
- Optical Lens: PC Materials High Light Transmittance, Anti-UV, Fire-Resistant
- Multi Color Temperature & Multi Power (Selectable Switch Located On The Driver Housing)

Technical Specifications

Electrical:

- Input Wattage: 180W/200W/240W
- Input Voltage: 120-277V 50/60Hz
- Power Factor: >0.9
- THD: <20%
- Efficacy: 140 LPW

Mechanical:

- ADC12 Aluminum Heat Sink, Outdoor Powder Coating Finish
- Sensor-Ready: Single Audio-Jack Socket Pre-Installed. See Motion Sensor Accessories
- Optical Lens: PC Materials High Light Transmittance, Anti-UV, Fire-Resistant
- 6' SJTW 18,3 AWG Power Cable
- 6' SJTW Dimming Cable
- LED PCB Board: High Conductive, Waterproof, Aging Resistance, salt mist Resistance, Ensure the Safety and Long Lifespan
- Operating temperature: -40°F to 122°F
- IP rating: IP65, Wet Locations
- 5-Year Warranty

Lighting:

- Dimming: 0~10V
- Total Lumens: 33600LM
- Multi Color Temperature & Multi Power (Selectable Switch Located On The Driver Housing)
- Color Temperatures: 3500K/4000K/5000K
- Color Rendering index: > 80
- Adjustable Beam Angle: 60°/80°/100°
- Lifespan: 50,000 Hrs

Applications:

- Ideal for general site lighting, alleys, loading docks, doorway, pathway, parking areas, warehouses and storage buildings.

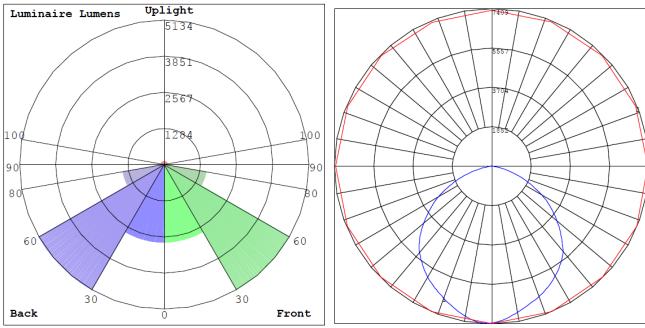


Phone: (877) 805-2252 | Fax: (877) 805-2252
www.westgatemfg.com |

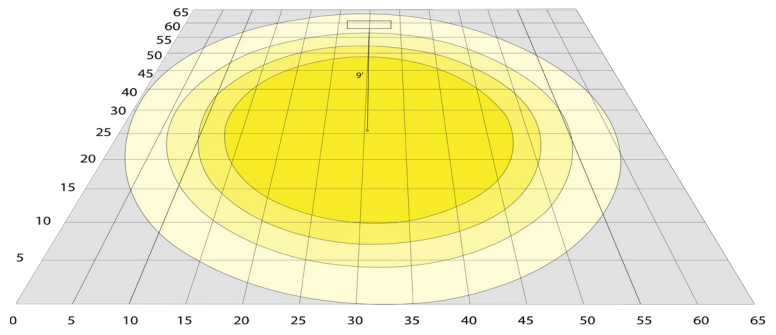


WG-12202024

Photometrics: UHXMAX-180-240W-MCTPB-SR



BUG Rating: B4-U3-G1



Area 65'x 65' Mounting Height: 9'

Other Views:



Side View



Top View



Bottom View

Performance Table: UHXMAX-180-240W-MCTPB-SR

MODEL NO.	Wattage	Voltage	Lumens	Color Temp	BUG Rating	LPW
UHXMAX-180-240W-MCTPB-SR	180W	120-277V	25200LM	3500K	B4-U3-G1	140
	200W		28000LM	4000K		
	240W		33600LM	5000K		

Sample Ordering

Model Wattage Wattage Color Temp. Sensor

UHXMAX - 180 - 240W - MCTPB - SR

Accessories:

Blank = No Accessory
 UHXMAX-SMB-B = UHXMAX 120-200W Surface-Mounting Bracket Black
 UHXMAX-PCR-B-90D = UHXMAX 120-200W 90D Pc Reflector
 UHXMAX-PCC-B = UHXMAX 120-200W Reflector Bottom Pc Cover
 UHXMAX-ALR-B-90D = UHXMAX 120-200W 900 Aluminum Reflector
 UHXMAX-WG-B = UHXMAX 120-200W Wireguard
 WEC-3RC = Remote control
 WEC-3PR-78-AJ-WH = PIR Sensor 1-Pin Audio Jack Contact 600W 40ft 120-277V 0-10V Bi-Level & RC (Optional RC WEC-3RC)
 WEC-3PBT-78-AJ-WH = PIR Sensor 1-Pin Audio Jack Contact 600W 40ft 120-277V 0-10V Bi-Level Bluetooth App Ready

Factory-Installed Option:

Blank = No Accessory
 OPT-EM-UHX = EXTERNAL EMERGENCY BACKUP BATTERY INSTALLED ON TOP OF THE FIXTURE
 OPT-HBC=125TL-BK = NEMA TWIST-LOCK PLUG 8FT, 15A, 125V, 16/3TL, BLK
 OPT-HBC=277TL-BK = NEMA TWIST-LOCK PLUG 8FT, 15A, 277V, 16/3TL, BLK
 OPT-HBC=125SB-BK = STRAIGHT BLADE PLUG 10FT, 15A, 125V, 18/3TL, BLK
 OPT-SEN-UHX = MICROWAVE BI-LEVEL SENSOR

ACCESSORIES:



WEC-3RC



WEC-3PR-78-AJ-WH
 WEC-3PBT-78-AJ-WH



ACCESSORIES:



UHXMAX-SMB-B
UHXMAX 120-200W Surface-Mounting Bracket Black



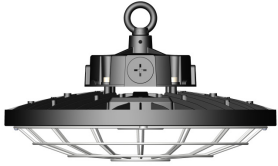
UHXMAX-PCR-B-90D
UHKMAX 120-200W 900 Pc Reflector



UHXMAX-PCC-B
UHXMAX 120-200W Reflector Bottom Pc Cover



UHXMAX-ALR-B-90D
UHKMAX 120-200W 900 Aluminum Reflector



UHXMAX-WG-B
UHKMAX 120-200W Wireguard

FACTORY-INSTALLED OPTION:



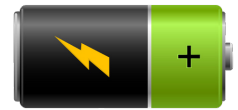
OPT-HBC-125SB-BK
STRAIGHT BLADE PLUG 10FT, 15A, 125V, 18/3TL, BLK



OPT-HBC-125TL-BK
NEMA TWIST-LOCK PLUG 8FT, 15A, 125V, 16/3TL, BLK



OPT-HBC-277TL-BK
NEMA TWIST-LOCK PLUG 8FT, 15A, 277V, 16/3TL, BLK



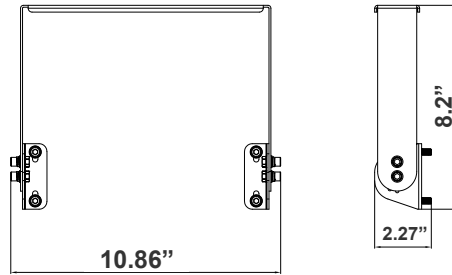
OPT-EM-UHX
EXTERNAL EMERGENCY BACKUP BATTERY INSTALLED ON TOP OF THE FIXTURE (The bracket can be painted)



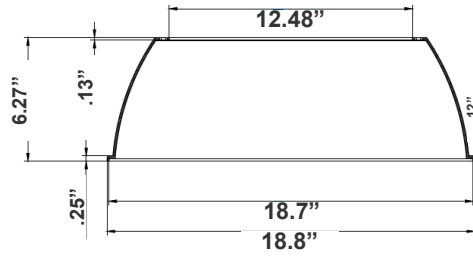
Dimensions:



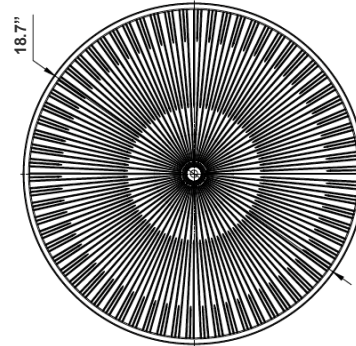
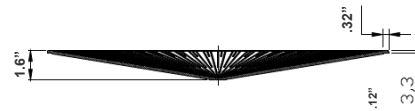
UHXMAX-SMB-B
UHXMAX 120-200W Surface-Mounting Bracket Black



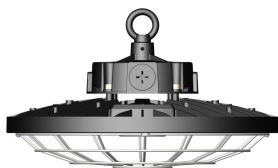
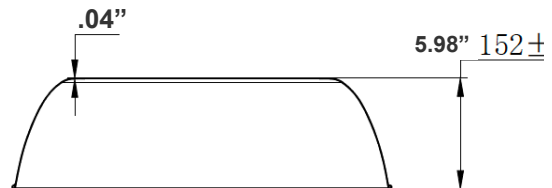
UHXMAX-PCR-B-90D
UHXMAX 120-200W 90° P_c Reflector



UHXMAX-PCC-B
UHXMAX 120-200W Reflector Bottom P_c Cover



UHXMAX-ALR-B-90D
UHXMAX 120-200W 90° Aluminum Reflector



UHXMAX-WG-B
UHXMAX 120-200W Wireguard

