



MILBANK
ENERGY AT WORK

U3306-X-HSP

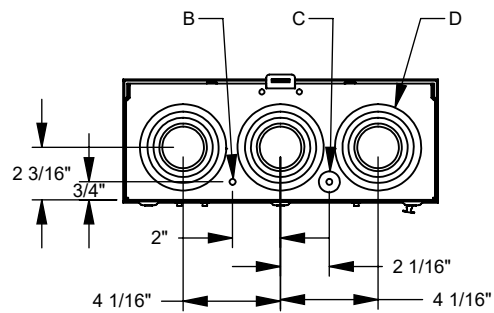
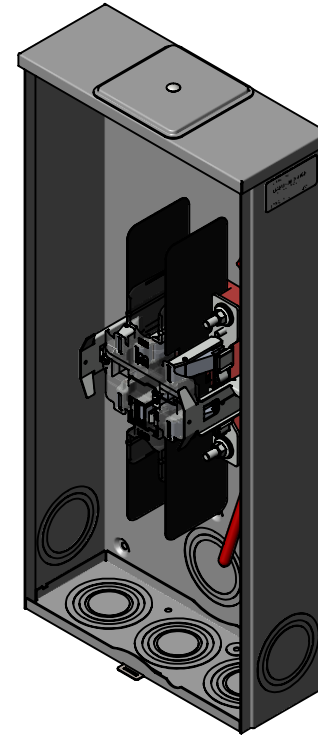
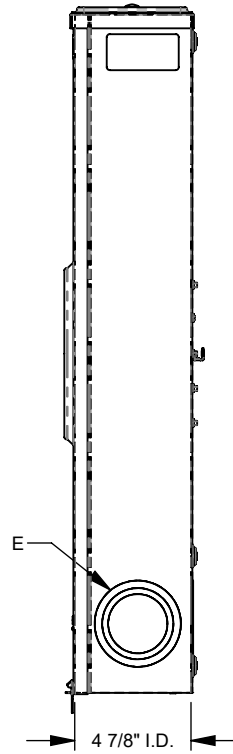
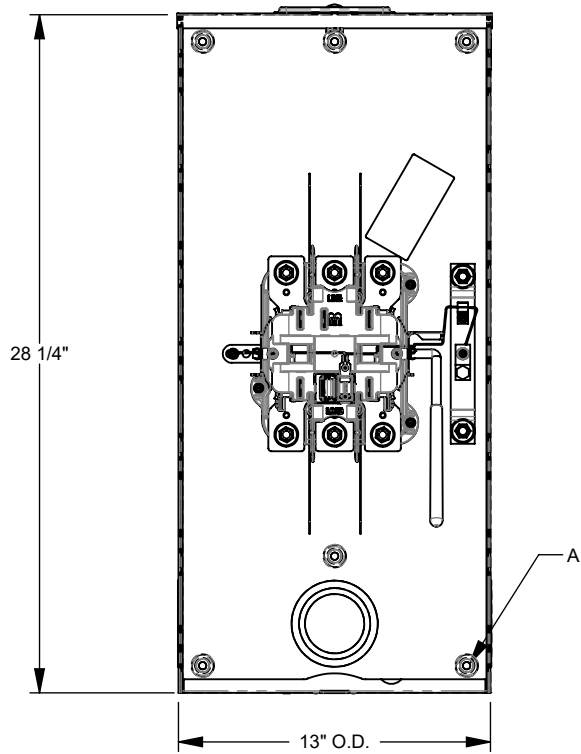


Catalog Number	U3306-X-HSP
Marketing Product Description	7 Terminal Ringless 28.25x4.844x13 Large Closing Plate Lever Bypass Stainless Steel Hasp
UPC	784572292741
Length (IN)	4.844
Width (IN)	13
Height (IN)	28.25
Brand Name	Milbank
Type	Ringless Meter Socket
Application	Meter Socket
Standard	UL Listed;Type 3R
Voltage Rating	600 Volts Alternating Current
Amperage Rating	200 Continuous Ampere
Phase	3 Phase
Frequency Rating	60 Hertz
Size	4.844L x 13W x 28.25H
Number Of Cutouts	0
Cutout Size	No Main Breaker
Cable Entry	Overhead or Underground
Terminal	3/8 Inch Stud
Insulation	Glass Polyester
Mounting	Surface Mount

Enclosure	G90 Galvanized Steel with Powder Coat Finish
Jaw Quantity	7 Terminal
Bypass Type	Lever Bypass
Number of Meter Positions	1 Position
Equipment Ground	Ground Lug
Hub Opening	Large Closing Plate
Number Of Receptacles	0

Please consult serving utility for their requirements prior to ordering or installing, as specifications and approvals vary by utility and may require local electrical inspector approval. All installations must be installed by a licensed electrician and must comply with all national and local codes, laws and regulations. Milbank reserves the right to make changes in specifications and features shown without notice or obligation.

FEATURE TABLE		
ITEM	QTY	DESCRIPTION
A	6	U/L MNTG.EMBOSS
B	1	¼ SOLID K.O.
C	1	¼, ½ CONC. K.O.
D	3	1¼, 1½, 2, 2½, 3 CONC. K.O.
E	3	2, 2½, 3 CONC. K.O.



Version:

1

**All dimensions are +/- 1/16".
Drawing views are not to scale.**

Please consult serving utility for their requirements prior to ordering or installing, as specifications and approvals vary by utility, and may require local electrical inspector approval. All installations must be installed by a licensed electrician and must comply with all national and local codes, laws and regulations. Milbank reserves the right to make changes in specifications and features shown without notice or obligation.