

# 1279 Duragauge® Pressure Gauge

## Features

- Custom dial printing options
- Micrometer adjustable pointer
- **PLUS!**™ Performance option dampens vibration, shock and pulsation effects
- Pressure range from vacuum to 30,000 psi
- NSF-61 Compliant

## Typical Uses

- Refineries
- Chemical and petrochemical plants
- Offshore oil rigs
- Water and wastewater pressure control
- Pulp and water
- Mining and metals
- Equipment skids
- Specialized OEM equipment
- Cryogenics

## Specifications

Accuracy:	±0.5% of span (ASME B40.100 Grade 2A)		
Size:	4½"		
Range:	Vacuum, compound to 30,000 psi		
Process Connection Location:	Lower, back, side, top		
Process Connection:	¼ NPT, ½ NPT, ¾ -18 UNF-2B Aminco® (high pressure connection)		
Case Style:	Solid front with pressure relief back		
Window:	Glass (STD.), acrylic, shatter proof glass, non-glare glass (OPT.)		
Movement:	Rotary, adjustable, 400 SS, Teflon™ coated		
Movement Materials:	400 SS, Teflon™ coated pinion gear and segment		
Dial:	Aluminum, white background, black scale		
Pointer:	Micrometer, adjustable, aluminum		
Weather Protection:	Case	IP Rating	Ordering Code
	Dry	Case not sealed, recommended for weather protected environment only	S
	Dry, field fillable	IP66	SH
	Liquid filled	IP66	SL
Dampening Options:	Liquid: glycerin, silicone, Halocarbon®, <b>PLUS!</b> ™ Performance		
Mounting:	Stem, surface (STD.), flush, pipe, remote (OPT.)		
Approvals:	CE, CRN, NSF-61		

## Wetted Components

Bourdon Tube	Process Connection	Joints
316L Stainless steel	316L Stainless steel	Welded
316L Stainless steel	Steel	Welded
K-Monel® 500	Monel® 400, Steel	Welded
C510 Pho. Bronze	Brass	Silver Brazed



**1279**  
4½" dial size



Certified to NSF/ANSI/CAN 61



## Key Benefits

- Available with a wide variety of accessory and diaphragm seal assemblies
- Uncompromised standards and material integrity
- Corrosion resistance in many environments

## Min/Max Temperature Limits

Version	Ambient	Process	Storage
Dry	-20 °F to 200 °F (-29 °C to 93 °C)	-20 °F to 250 °F (-29 °C to 121 °C)	-40 °F to 250 °F (-40 °C to 121 °C)
<b>PLUS!</b> ™	-40 °F to 150 °F (-40 °C to 66 °C)	-40 °F to 200 °F (-40 °C to 93 °C)	-40 °F to 150 °F (-40 °C to 66 °C)
Glycerin fill	20 °F to 150 °F (-7 °C to 66 °C)	20 °F to 150 °F (-7 °C to 66 °C)	0 °F to 150 °F (-18 °C to 66 °C)
Silicone fill	-40 °F to 150 °F (-40 °C to 66 °C)	-40 °F to 200 °F (-40 °C to 93 °C)	-40 °F to 150 °F (-40 °C to 66 °C)
Halocarbon® fill	-40 °F to 150 °F (-40 °C to 66 °C)	-40 °F to 200 °F (-40 °C to 93 °C)	-40 °F to 150 °F (-40 °C to 66 °C)

## Non-Wetted Components

Case	Ring	Pressure Relief Back
Phenolic	Threaded, Polycarbonate (meets UL 94 V-0)	Polycarbonate (Meets UL 94 V-0)

Note: Other than discoloration of the dial and hardening of the gasketing that may occur as ambient or process temperatures exceeds 150 °F, non-liquid-filled gauges with standard glass windows, can withstand continuous operating temperatures up to 250 °F (121 °C). Liquid-filled gauges can withstand 200 °F (93 °C) but glycerin fill and acrylic window will tend to yellow. Accuracy at temperatures above or below the reference ambient temperature of 68 °F (20 °C) will be affected by approximately .4% per 25 °F. Gauges with welded joints will withstand 750 °F (400 °C), 450 °F (232 °C) with silver brazed joints for short times without rupture, although other parts of the gauge will be destroyed and calibration will be lost. For continuous use and for process or ambient temperatures above 250 °F (121 °C), a diaphragm seal or capillary or siphon is recommended.

## Contact Us

1.800.328.8258  
ashcroft.com

All specifications are subject to change without notice. All sales subject to standard terms and conditions.

Ashcroft®, Duragauge®, DuraVis™, Plus!™, Trust the Shield® are trademarks and Gold ServiceSM is a service mark of Ashcroft Inc.

The following non-Ashcroft trademarks are the property of their respective owners: Aminco®, Halocarbon®, Monel®, Teflon™, Krytox™.

For more information, see [Ashcroft Brands & Trademarks](#) ©2026 Ashcroft Inc. 1279\_gauge\_ds\_RevU\_26-Mar-26

# 1279 Duragauge® Pressure Gauge

Ordering Code	Example:	451279	S	SH	04	L	XLL	15#
<b>Dial Size/Model Code</b>								
1279 Process Gauge, 4.5" Phenolic Case		451279						
<b>System Material (tube and process connection)</b>								
A - Bronze tube, brass process connection, Max. pressure connection 1,000 psi								
P - K-Monel® 500 tube, Monel® 400 process connection, Max. pressure 30,000 psi								
R - 316L SS tube, steel process connection, Max. pressure 20,000 psi								
S - 316 SS tube, 316L SS process connection, Max. pressure 20,000 psi (NSF-61 Compliant)			S					
<b>Case Design</b>								
S - Solid front case, dry								
SH - Solid front case, dry, hermetically sealed (Plastic window and throttle screw STD.)				SH				
SL - Solid front case, liquid filled (glycerin STD.)								
<b>Process Connection Sizes</b>								
02 - ¼ NPT Male, N/A for ranges over 20,000 psi								
04 - ½ NPT Male, N/A for ranges over 20,000 psi					04			
09 - 9/16 18 UNF-2B, Aminco® high pressure fitting, pressures over 20,000 psi (STD.)								
AM - AND 10050-4 (¼ tubing connection)								
RW - SAE 7/16 & 20 Straight thread								
<b>Process Connection Location</b>								
L - Lower						L		
B - Back								
D - Side (3 o'clock)								
E - Side connection (9 o'clock)								
T - Top connection								
<b>Options (If choosing an option(s) must include a "X")</b>								-X__
<b>Dampening</b>								
GV - Silicone case fill (Add to list price of glycerin filled gauge. Acrylic window standard)								
GX - Halocarbon® case fill (Add to list price of glycerin filled gauge. Acrylic window standard)								
LL - <b>PLUS!</b> ™ Performance								
NZ - <b>PLUS!</b> ™ Performance (silicone free)								
ND - <b>PLUS!</b> ™ Performance (silicone free with glycerin or silicone filled gauge case only)								
TS - Throttle screws – Brass, stainless steel & Monel® (If orifice not specified a 0.020" size throttle screw will be supplied) (STD, with liquid filled, hermetically sealed or <b>PLUS!</b> ™ Performance)								
WP - No throttle plug								
<b>Case/Ring</b>								
FP - Fungus proof case								
OC - Orange case								
TM - 2" Pipe mounting bracket								
YC - Yellow case								
1P - IP 65 rating (gauge not liquid fillable) for dry 1279. Lower connect only								
56 - Black - Type 1278M black flush mounting ring								
57 - Polished stainless steel - Type 1278MC								
<b>Bourdon Tube System Assemblies</b>								
OS - Overload stop								
PR - Receiver gauge 3-15 psi								
TB - Tip bleed (S Tube Only, 20,000 psi Max. Not available liquid filled or hermetically sealed)								
TR - Tons on ram gauge (Includes throttle screw, slotted link, and special dial. 1% accuracy)								
VS - Underload stop								

# 1279 Duragauge® Pressure Gauge

Ordering Code (continued)	Example:	451279	S	SH	04	L	XLL	15#
<b>Movement/Linkage</b>								
RJ - Slotted link; sudden increase (Gauge accuracy is 1% with a slotted link. Slotted link not available with the <b>PLUS!</b> ™ option.)								
VY - Krytox™ lubricated movement (silicone free) - If order specifies only slotted link the “sudden decrease” version will be supplied as standard.								
S4 - Slotted link; sudden decrease (Gauge accuracy is 1% with a slotted link. Slotted link not available with the <b>PLUS!</b> ™ option.)								
<b>Windows/Pointer</b>								
EP - Maximum pointer, adjustable (N/A on liquid filled gauge, with safety glass or SH case) (N/A with EO or EQ options)								
EO - Red set hand, adjustable (NA on liquid filled gauge or with safety glass) (N/A with EP and EQ options)								
EQ - Minimum pointer, adjustable (N/A on liquid filled gauge, with safety glass or SH case) (N/A with EP and EO options)								
NG - Non-glare glass (N/A with liquid fill or hermetically sealed cases)								
PD - Acrylic window (Standard with liquid filled case. Standard with EP, EO and EQ options)								
SG - Safety glass								
SH - Red set hand, stationary, single								
SJ - Red set hand, stationary, double								
E6 - Dial stop pin 6 o'clock								
<b>Marking/Tagging</b>								
DA - Dial Marking - text marking on dial								
MN - Stainless steel tag bonded to case								
NH - Stainless steel tag wired to case								
NN - Paper tag bonded to case								
<b>Calibration</b>								
AB - Gauges calibrated to compensate for absolute pressure (Pointer is offset by 14.7psi)								
KH - Custom calibration requirements								
<b>Testing/Certificates</b>								
C3 - Material Certification Per EN 10204 3.1 (316SS and Monel® systems only)								
C4 - Traceable calibration certificate								
HY - Hydrostatic/Pneumatic testing system pressurized to 150% of rated system pressure for 5 minutes.								
MQ - Positive Material Identification								
ML - Mass Spectrometer Leak Test								
WO - Wetted parts of western origin (must be ordered with C3)								
W2 - Dye penetrant of bourdon tube								
<b>Special Cleaning</b>								
MF - Mercury Free Gauges Per Spec ABP317, - Certificate of Conformance to specifications and/or drawings free from mercury contamination (CD-2) furnished at no additional charge								
6A - Gauges dried to remove residual moisture after calibration								
6B - Oxygen service (cleaned for gaseous oxygen or other strong oxidizing agents) (CD-1A must be ordered to receive certificate) - If liquid filled case required, include code XGX Halocarbon® filling - S&P tube and socket only Oxygen cleaned to ASME B40.100 level IV • Include labels, markings or certificate identifying the unit as being cleaned for oxygen service, - Not available on ranges greater than 10,000 psi - Gauge furnished with acrylic window, shatterproof glass (XSG) optional								
6W - Cleaned for oxidizing processes other than oxygen (CD-1A must be ordered to receive certificate) - Not available on ranges greater than 10,000 psi - Not available on R tubes Oxygen cleaned to ASME B40.100 level IV. • Does not include labels, markings or certificate identifying the unit as being cleaned for oxygen service.								

# 1279 Duragauge® Pressure Gauge

Ordering Code (continued)	Example:	451279	S	SH	04	L	XLL	15#
<b>Special Dials</b>								
D3 - DuraVis™ retroreflective dial								
T1 - Test gauge dial and pointer (liquid filled case not available, only 15 psi and above)								
<b>Range (coding examples only, see range table on page 3 for all standard ranges)</b>								
<b>Single Scales</b>								
15# - 15 psi								15#
1BR - 1 bar								
1KSC - 1 kg/cm <sup>2</sup>								
100KP - 100 kPa								
<b>Dual Scales</b>								
15#/BR - 15 psi inner scale, 1 bar outer scale								
1BR/# - 1 bar inner scale, 15 psi outer scale								
<b>Certification (miscellaneous charges not included within model code)</b>								
CD-1 - Certificate of Conformance to specifications and/or drawings (standard)								
CD-1A - Certificate of Conformance to specifications and/or drawings (non-standard) cost per list/order								
CD-94 - EAC Certification: lot charge per P.O.								
CD-4 - Traceable recalibration chart in accordance to ASME B40.100 accuracy								
CD-5 - Certificate of Compliance for refineries to NACE MR0103-2010 and for oilfields (production) to NACE MRO175/ISO 15156-2009 (Gauge wetted parts must be 316 stainless steel or Monel®.)								
CD-6 - Typical material certification per EN 10204 2.2								
CD-25 - Recalibration chart (charts as received and as shipped accuracy) list/gauge								

When selecting a diaphragm seal or isolation ring, refer to the [Min/Max Guide](#) for compatibility with this gauge or scan the QR code to the right.



# 1279 Duragauge® Pressure Gauge

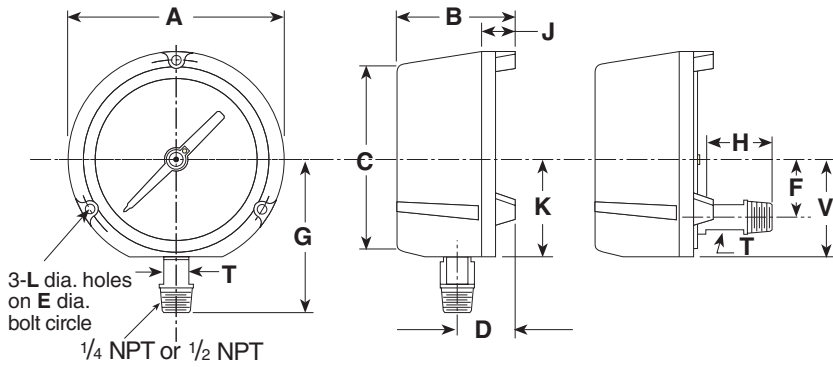
Standard Pressure Ranges					
	psi	bar	kPa	mPa	KG (kg/cm <sup>2</sup> )
Vacuum	30IMV	N1BR	N100KP	N1MP	N1KSC
	-	N1/0.6BR	N100/60KP	0.1/0.06MP	N1/0.6KSC
Compound	V/15#	-	-	-	-
	-	N1/1.5BR	N100/150KP	N0.1/0.15MP	N1/1.5KSC
	V/30#	-	-	-	-
	-	N1/3BR	N100/300KP	N0.1/0.3MP	N1/3KSC
	V/60#	-	-	-	-
	-	N1/5BR	N100/500KP	N0.1/0.5MP	N1/5KSC
	V/100#	-	-	-	-
	-	N1/9BR	N100/900KP	N0.1/0.9MP	N1/9KSC
Positive Pressure	15#	1BR	100KP	0.1MP	1KSC
	20#	-	-	-	-
	-	1.6BR	160KP	0.16MP	1.6KSC
	30#	-	-	-	-
	-	2.5BR	250KP	0.25MP	2.5KSC
	60#	4BR	400KP	0.4MP	4KSC
	-	6BR	600KP	0.6MP	6KSC
	100#	-	-	-	-
	120#	-	-	-	-
	-	10BR	1000KP	1MP	10KSC
	160#	-	-	-	-
	200#	-	-	-	-
	-	16BR	1600KP	1.6MP	16KSC
	300#	-	-	-	-
	-	25BR	2500KP	2.5MP	25KG
	400#	-	-	-	-
	500#	-	-	-	-
	600#	40BR	4000KP	4MP	40KSC
	800#	-	-	-	-
	-	60BR	6000KP	6MP	60KSC
	1000#	-	-	-	-
	1500#	100BR	10000KP	10MP	100KG
	2000#	-	-	-	-
	-	160BR	16000KP	16MP	160KSC
	3000#	-	-	-	-
	-	250BR	25000KP	25MP	250KSC
	4000#	-	-	-	-
	5000#	-	-	-	-
6000#	400BR	40000KP	40MP	400KSC	
8000#	-	-	-	-	
-	600BR	60000KP	60MP	600KSC	
10000#	-	-	-	-	
15000#	1000BR	100000KP	100MP	1000KSC	
20000#	-	-	-	-	
-	1600BR	-	160MP	1600KSC	
30000#	-	-	-	-	

# 1279 Duragauge<sup>®</sup> Pressure Gauge

**Dimensions in [ ] are millimeters**

For reference only, consult Ashcroft for specific dimensional drawings

Dial Size Inches	A	B	C	D	E	F	G	H	J	K	L	T	V	Weight oz/kg
4½	5.81 [147.6]	3.36 [85.3]	5.07 [128.7]	1.60 [40.6]	5.375 [137]	1.62 [41.2]	3.92 [99.6]	0.73 [18.4]	0.94 [23.9]	2.62 [66.7]	0.218 [5.5]	0.62 [15.7]	2.62 [66.7]	2.5 (Dry) 3.5 (L.F.)



## 1278M Series Flush Mounting Ring

1278M Series Flush Mounting Ring. Used to flush mount gauge case 1279(\*)S. Black finish (STD.); Polished SS finish (OPT.)

Gauge Size Inches	Ring O.D.	"A" DIA.	"B" Size of 3 Screws	"C" Size of Washers
4½	6 [152]	5.625 [148]	#10-24 x 1½	7/16 x 17/64 x 5/8

