

# 15000 SERIES UTILITY LIGHTING

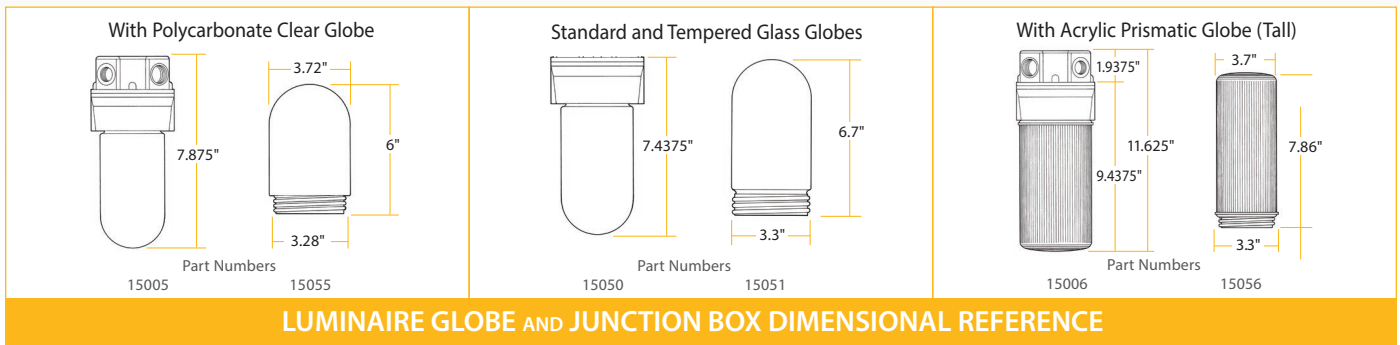
## CEILING MOUNT LUMINAIRES

- UL Listed. File Number: E182610. Suitable for use in damp locations ONLY!
- Meets the requirements of the 2017 National Electrical Code: Articles 314.16(A)(2), 314.17(C), 410.10(A) and 547.5(C)(1, 2, and 3).
- Includes porcelain E26 lamp socket with corrosion resistant nickel-plated brass screw shell.
- High impact, corrosion resistant, compression molded phenolic junction box and luminaire base.
- Standard and Tempered Glass Globes rated for "A" Series incandescent lamps (150-Watt maximum).
- Polycarbonate and Acrylic Prismatic Globes rated for "A" Series incandescent lamps (60-Watt maximum).
- All ceiling mount luminaires are supplied with a cork gasket, corrosion resistant screws and rubber washer. Wired with 194°F (90°C) minimum supply wires (THHN).



UTILITY LUMINAIRE

**Note:** Meets the requirements of the Minnesota State Board of Electricity Electrical Wiring requirements for Agricultural Buildings.



LUMINAIRE GLOBE AND JUNCTION BOX DIMENSIONAL REFERENCE

Catalog Number	UPC Number	Description	Order Unit	Unit Qty	Unit Pkg	Units/Case	TL Case Qty	Min Order Qty	MM Req	Ship Wt (Lbs)
<b>With 12 Cubic Inch Junction Box</b>										
15000	15000	Utility Luminaire: Includes 1/2" and 3/4" Knockout Combo Junction Box, Standard Glass Globe, Cork Gasket, Screws, and Washer	EA	1	BX	12	12	12	Yes	24
15001	15001	Utility Luminaire: Includes 1/2" and 3/4" Knockout Combo Junction Box, Tempered Glass Globe, Cork Gasket, Screws, and Washer	EA	1	BX	12	12	12	Yes	24
15002	15002	Utility Luminaire: Includes 3/4" Knockout Junction Box, Standard Glass Globe, Cork Gasket, Screws, and Washer	EA	1	BX	12	12	12	Yes	24
15005	15005	Utility Luminaire: Includes 1/2" and 3/4" Knockout Combo Junction Box, Polycarbonate Globe, Cork Gasket, Screws, and Washer	EA	1	BX	12	12	1	No	2
15006	15006	Utility Luminaire: Includes 1/2" and 3/4" Knockout Combo Junction Box, Acrylic Prismatic Globe (Tall), Cork Gasket, Screws, and Washer	EA	1	BX	12	12	1	No	2
15007	15007	Utility Luminaire: Includes 1/2" and 3/4" Knockout Combo Junction Box, Acrylic Prismatic Globe, Cork Gasket, Screws, and Washer	EA	1	BX	12	12	1	No	2
<b>Without Junction Box</b>										
15050	15050	Utility Luminaire: Includes Standard Glass Globe, Cork Gasket, Screws, and Washer	EA	1	BX	12	12	12	Yes	20
15051	15051	Utility Luminaire: Includes Tempered Glass Globe, Cork Gasket, Screws, and Washer	EA	1	BX	12	12	12	Yes	20
15055	15055	Utility Luminaire: Includes Polycarbonate Clear Globe, Cork Gasket, Screws, and Washer	EA	1	BX	12	12	1	No	1
15056	15056	Utility Luminaire: Includes Acrylic Prismatic Globe (Tall), Cork Gasket, Screws, and Washer	EA	1	BX	12	12	1	No	1
15090	15090	Medium Bases: Globe not included	EA	1	BX	12	12	1	No	1

**UNITS OF MEASURE KEY**

Order Unit: The Unit to be ordered; Order Qty: Number of pieces in each Unit; Unit Pkg: Packaging types - BG (Bag), BX (Box), BRL (Barrel); Units/Case: Unit packages contained in the Case; TL Case Qty: The total number of items in each Master Case; Min Order Qty: The smallest Unit that can be ordered; MM Req: Must order multiples of the Unit in the stated quantities; Ship Wt (Lbs): Total weight of the units per Carton

[www.engproducts.com](http://www.engproducts.com)

5401 SMETANA DRIVE | MINNETONKA, MN 55343

P 800.336.1976 | F 800.336.2801

Specifications subject to change without prior notice.



**ENGINEERED PRODUCTS CO.**

# 15000 SERIES UTILITY LIGHTING

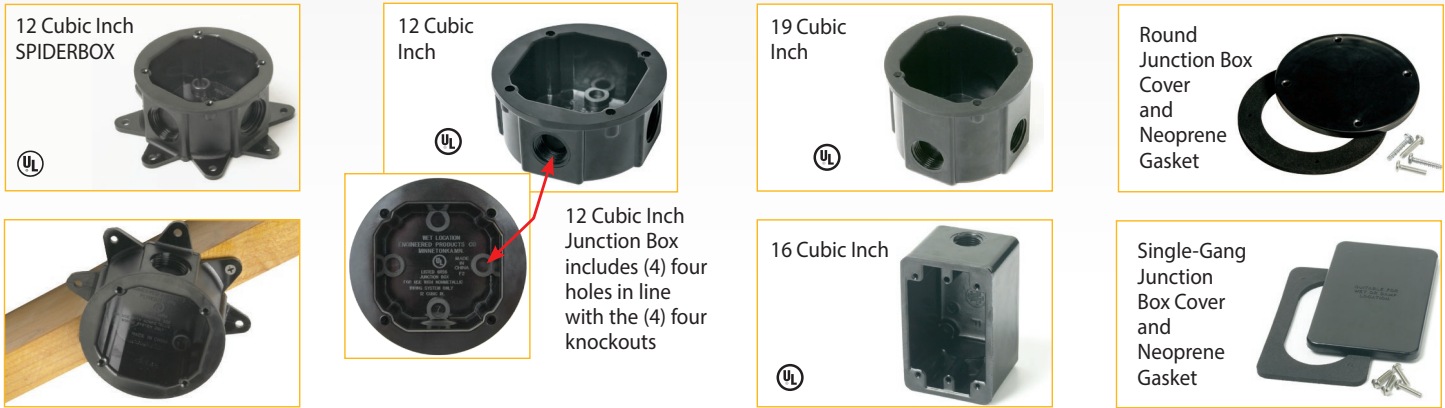
## JUNCTION BOXES

### STANDARD NON-METALLIC JUNCTION BOXES

- UL Listed. File Number: E182992.
- Suitable for use in "wet" locations.
- Corrosion resistant.
- High impact compression molded phenolic plastic rated to 302°F (150°C).
- Meets the requirements of the 2017 National Electrical Code: Articles 314.15, 314.16(A)(2), 314.17(C), 547.5(C)(1) and (2).

### SPIDERBOX NON-METALLIC JUNCTION BOXES

- Easy to install using the eight (8) mounting brackets that are in-line with knockouts.
- Eliminates a 2"x4" stub-in.



Catalog Number	UPC Number	Description	Order Unit	Unit Qty	Unit Pkg	Units/Case	TL Case Qty	Min Order Qty	MM Req	Ship Wt (Lbs)
<b>Standard Non-Metallic Junction Boxes</b>										
15045	15045	12 Cubic Inch Junction Box: 1/2" and 3/4" Knockout Combo	EA	1	BX	12	12	12	Yes	6
15046	15046	12 Cubic Inch Junction Box: 1/2" Knockouts	EA	1	BX	12	12	12	Yes	6
15047	15047	12 Cubic Inch Junction Box: 3/4" Knockouts	EA	1	BX	12	12	12	Yes	6
15049	15049	19 Cubic Inch Junction Box: 3/4" Knockouts	EA	1	BX	12	12	12	Yes	6
15070	15070	16 Cubic Inch Single-Gang FS-C Type Junction Box: 1/2" Knockouts	EA	1	BX	12	12	12	Yes	6
15071	15071	16 Cubic Inch Single-Gang FS-C Type Junction Box: 3/4" Knockouts	EA	1	BX	12	12	12	Yes	6
15075	15075	Single-Gang Junction Box Cover and Neoprene Gasket	EA	1	BX	12	12	12	Yes	2
15905	15905	Round Junction Box Cover and Neoprene Gasket	EA	1	BX	12	12	12	Yes	2
<b>SPIDERBOX Non-Metallic Junction Boxes</b>										
15246	15246	12 Cubic Inch SPIDERBOX Junction Box: 1/2" Knockouts	EA	1	BX	12	12	12	Yes	6
15247	15247	12 Cubic Inch SPIDERBOX Junction Box: 3/4" Knockouts	EA	1	BX	12	12	12	Yes	6
15905	15905	Round Junction Box Cover and Neoprene Gasket	EA	1	BX	12	12	12	Yes	2

#### UNITS OF MEASURE KEY

Order Unit: The Unit to be ordered; Unit Qty: Number of pieces in each Unit; Unit Pkg: Unit Packages contained in the case - Packaging types - BG (Bag), BRL (Barrel), BX (Box), BN (Bulk), PKG (Package), EA (Each), RL (Roll), LB (Pound), C (Hundred), M (Thousand); Units/Case: Unit packages contained in the Case; TL Case Qty: The total number of items in each Master Case; Min Order Qty: The smallest Unit that can be ordered; MM Req: Must order multiples of the Unit in the stated quantities; Ship Wt (Lbs): Total weight of the units per Carton

Specifications subject to change without prior notice.

## LAMPS

### COMPACT FLUORESCENT LAMP

- Wattage: 23
- Average Rated Life: 10,000 hours
- Color Rendering: >80 CRI
- High Lumen Efficacy
- Color Temperature: 5,000K
- Dimmable: No



### LED A21 LAMP

- Wattage: 15.5
- Energy Star rated
- Average Rated Life: 25,000 hours
- Color Rendering: >80 CRI
- High Lumen Efficacy
- Color Temperature: 5,000K
- Dimmable: Yes



Catalog Number	UPC Number	Description	Order Unit	Unit Qty	Unit Pkg	Units/Case	TL Case Qty	Min Order Qty	MM Req	Ship Wt (Lbs)
15680	15680	Compact Fluorescent Lamp: 23-Watt, Self-Ballasted Lamp (5000K); Lumen output is equal to a 100-Watt Incandescent Lamp	EA	1	BX	50	50	1	No	1
15681	15681	LED A21 Lamp: 15.5-Watt, 5000K, dimmable, Energy Star rated; Lumen output is equal to 100-Watt Incandescent Lamp	EA	1	BX	12	12	1	No	1

## LUMINAIRE GLOBES

### STANDARD AND TEMPERED GLASS GLOBES

- Withstands extreme temperature changes.
- For use with "A" Series incandescent lamps (150-Watt maximum).

### ACRYLIC PRISMATIC AND POLYCARBONATE GLOBES

- UV stabilized material. The Acrylic Prismatic Globes resist discoloration four times longer than polycarbonate material.
- 3 Year guarantee against discoloration from UV exposure. For applications that require high-pressure wash down.
- Acrylic Prismatic Globes feature internal ribbing and smooth exterior.
- For use with "A" Series incandescent lamps (60-Watt maximum).



Catalog Number	UPC Number	Description	Order Unit	Unit Qty	Unit Pkg	Units/Case	TL Case Qty	Min Order Qty	MM Req	Ship Wt (Lbs)
15015	15015	Standard Glass Globe	EA	1	BX	32	32	32	Yes	34
15016	15016	Tempered Glass Globe	EA	1	BX	32	32	32	Yes	34
15020	15020	Polycarbonate Clear Globe	EA	1	BX	12	12	12	Yes	5
15025	15025	Acrylic Prismatic Globe (Tall)	EA	1	BX	12	12	12	Yes	5

**Note:** Luminaire Globes are sold ONLY in case quantities.

### UNITS OF MEASURE KEY

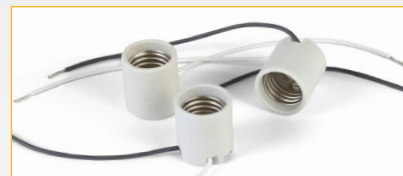
Order Unit: The Unit to be ordered; Unit Qty: Number of pieces in each Unit; Unit Pkg: Unit Packages contained in the case - Packaging types - BG (Bag), BRL (Barrel), BX (Box), BN (Bulk), PKG (Package), EA (Each), RL (Roll), LB (Pound), C (Hundred), M (Thousand); Units/Case: Unit packages contained in the Case; TL Case Qty: The total number of items in each Master Case; Min Order Qty: The smallest Unit that can be ordered; MM Req: Must order multiples of the Unit in the stated quantities; Ship Wt (Lbs): Total weight of the units per Carton

Specifications subject to change without prior notice.

# 15000 SERIES UTILITY LIGHTING

## REPLACEMENT LAMP SOCKET

- High temperature porcelain lamp socket with 6-inch 18 AWG stranded wire leads.
- Includes corrosion resistant nickel-plated brass screw shell.
- Can be used with "A" Series incandescent lamps (150-Watt maximum).
- Interchangeable with luminaires built with phenolic sockets.



Catalog Number	UPC Number	Description	Order Unit	Unit Qty	Unit Pkg	Units/Case	TL Case Qty	Min Order Qty	MM Req	Ship Wt (Lbs)
15031	15031	Replacement Lamp Socket: Porcelain	BG	12	BG	0	0	12	Yes	1

## WIRE GUARD

- Fits Standard Glass, Tempered Glass and Acrylic Prismatic (short) Globes only.
- 8 AWG steel, with a three-coat electrolytic plating.
- Clamp-type attachment.



Catalog Number	UPC Number	Description	Order Unit	Unit Qty	Unit Pkg	Units/Case	TL Case Qty	Min Order Qty	MM Req	Ship Wt (Lbs)
15063	15063	Wire Guard	EA	1	BX	0	0	1	No	2

## PRODUCT WARRANTY

Unless otherwise noted, Engineered Products Company (herein known as EPCO) warrants that the products described herein, will be furnished free from defects in material and workmanship for one (1) year. Any exceptions to this Warranty Statement will be detailed within the respective warranty section in this product catalog, noted on the product itself, or the product packaging.

EPCO's sole obligation for any breach of warranty under the terms herein shall be, at our option, to repair or provide replacement for the Product to which such warranty is breached, or to return all payments made with respect to such product. Any product(s) that are deemed to be defective must be specified by the Purchaser in a written notice to EPCO's Warranty Department within one (1) year after receipt of such goods. Under no circumstances will EPCO be liable for loss of profits or incidental, indirect, consequential or special damages of any kind beyond the replacement cost of the defective merchandise.

EPCO shall not be liable for any losses arising from governmental action, an act of God, or the result of war, riot, strikes, civil commotion, sovereign conduct, or the act or conduct of any person or persons not party to or associated with EPCO.

### UNITS OF MEASURE KEY

**Order Unit:** The Unit to be ordered; **Order Qty:** Number of pieces in each Unit; **Unit Pkg:** Packaging types - BG (Bag), BX (Box), BRL (Barrel); **Units/Case:** Unit packages contained in the Case; **TL Case Qty:** The total number of items in each Master Case; **Min Order Qty:** The smallest Unit that can be ordered; **MM Req:** Must order multiples of the Unit in the stated quantities; **Ship Wt (Lbs):** Total weight of the units per Carton

E02-019-000 B1 (05/18-BB)  
©2018 Engineered Products Company. All Rights Reserved.  
SpiderBox is a trademark of Engineered Products Company.

[www.engproducts.com](http://www.engproducts.com)

5401 SMETANA DRIVE | MINNETONKA, MN 55343

P 800.336.1976 | F 800.336.2801

Specifications subject to change without prior notice.



**ENGINEERED  
PRODUCTS CO.**