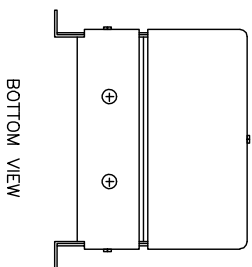
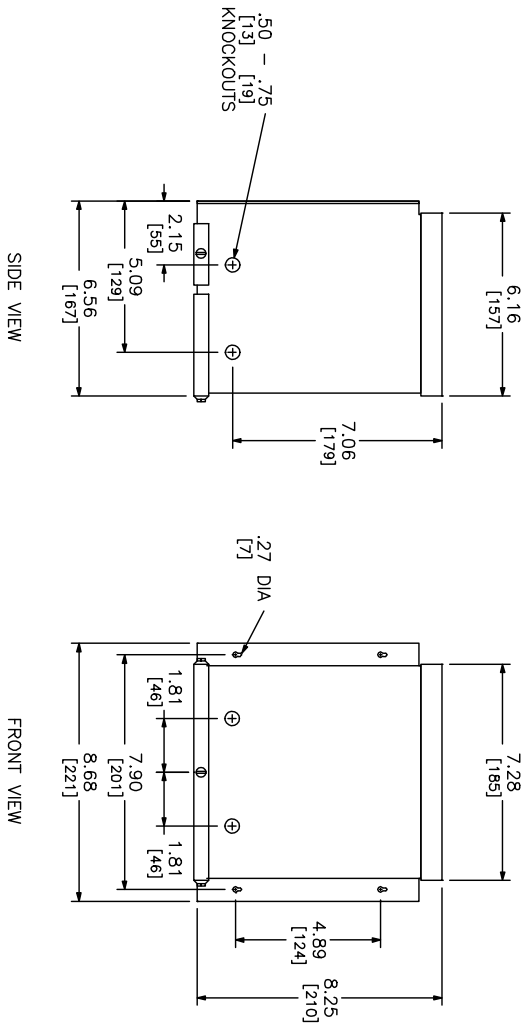


GENERAL-PURPOSE TRANSFORMER  
1.5 KVA 1 Ø 60HZ  
120/240V SECONDARY



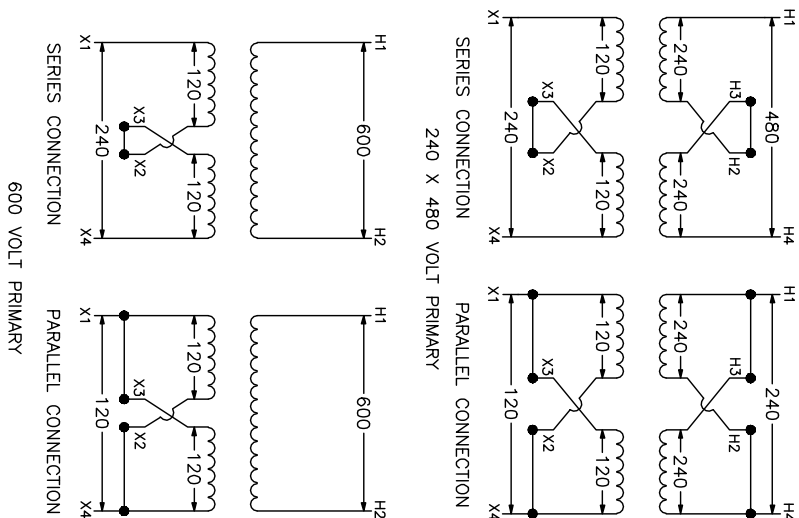
SEISMIC QUALIFICATION: TO BE COMPLIANT WITH THE SEISMIC REQUIREMENTS OF ASCE/SEI7, THIS UNIT HAS BEEN QUALIFIED BY SHAKE TABLE TESTING THROUGH SELF CERTIFICATION TO ICC ES AC156. THE ENCLOSURE SHOWN ABOVE IS 8A CONTACT YOUR LOCAL SCHNIEDER ELECTRIC/SQUARE D REPRESENTATIVE FOR RELATED QUESTIONS.

NOTES:  
UL / CUL LISTED  
NEMA 3R NON-VENTILATED ENCLOSURE  
COPPER WOUND  
185°C INSULATION SYSTEM FOR 115°C RISE  
EPOXY-RESIN ENCAPSULATED

DECEMBER 2010

GENERAL-PURPOSE TRANSFORMER  
1.5 KVA 1PH 60HZ  
120/240V SECONDARY

DWG# 3580



DUAL DIMENSIONS: INCHES  
MILLIMETERS

KVA	CATALOG NUMBERS		TEMP. RISE	SOUND LEVEL	WGT LBS
	240 X 480 PRIMARY	600 PRIMARY			
1.5	1.5S1F	1.5S51F	115°C	40 DB	30.1

3580