

Definite Purpose Control

Contactors, Class 8910, 8911, 8965, 9998, 9999

Catalog

04/2021

Release date 04/2021

SQUARE D™
8910CT9301R03/21



Legal Information

The Schneider Electric brand and any trademarks of Schneider Electric SE and its subsidiaries referred to in this guide are the property of Schneider Electric SE or its subsidiaries. All other brands may be trademarks of their respective owners.

This guide and its content are protected under applicable copyright laws and furnished for informational use only. No part of this guide may be reproduced or transmitted in any form or by any means (electronic, mechanical, photocopying, recording, or otherwise), for any purpose, without the prior written permission of Schneider Electric.

Schneider Electric does not grant any right or license for commercial use of the guide or its content, except for a non-exclusive and personal license to consult it on an "as is" basis. Schneider Electric products and equipment should be installed, operated, serviced, and maintained only by qualified personnel.

As standards, specifications, and designs change from time to time, information contained in this guide may be subject to change without notice.

To the extent permitted by applicable law, no responsibility or liability is assumed by Schneider Electric and its subsidiaries for any errors or omissions in the informational content of this material or consequences arising out of or resulting from the use of the information contained herein.

Schneider Electric, and Square D are trademarks and the property of Schneider Electric SE, its subsidiaries, and affiliated companies. All other trademarks are the property of their respective owners.

Table of Contents

Contactors, Class 8910 Types DP and DPA.....5
 Factory Modifications.....8
 Starters, Class 8911 Types DPS and H–M 10
 Reversing/Hoist Contactors, Class 8965 Type DPR 12
 Reversing/Hoist Contactors, Class 8965 Type R..... 15
 Replacement Parts Kits, Class 9998 17
 Replacement Contact Kits 17
 Contact Units for Melting Alloy Overload Relays..... 18
 Melting Alloy Overload Relay Jumper Strap Kits..... 18
 External Auxiliary Contacts, Class 9999 19

Contactors, Class 8910 Types DP and DPA

Definite purpose contactors are ideal for heating, air conditioning, refrigeration, data processing, and food service equipment. Compact 1- and 2-pole contactors are available, as well as full-size devices with 2, 3, or 4 poles.

Features

- Quick connect terminals and binder head screws allow for easy wiring.
- Box lugs are standard on contactors 40 A and larger.
- An exclusive DIN track mounting option may reduce installation costs.
- Coils can be changed quickly, without a tool, on the Type DPA, 50–90 A contactors.
- Auxiliary contact modules snap on either side of the Type DPA contactors.

To order, specify the Class, Type, and Voltage Code (where indicated).

Table 1 - Compact 1-Pole Contactors—600 Vac Maximum

Full Load Amperes	Locked Rotor Amperes			Resistive Load Amperes	N.O. Poles	Class 8910 Type ¹
	277 V	460 V	575 V			
30	150	125	100	40	1	DP31
40	240	200	160	40 (50 for 277 V)	1	DP41

Table 2 - Compact 2-Pole Contactors—600 Vac Maximum (above 240 V, all lines must be switched)

Full Load Amperes	Locked Rotor Amperes			Resistive Load Amperes	N.O. Poles	Class 8910 Type ¹
	277 V	460 V	575 V			
30	150	125	100	40	2	DP32
40	240	200	160	50	2	DP42

Figure 1 - Type DP32V09 2 pole



Figure 2 - Type DP42V14 2 pole



Figure 3 - Type DPA33V04 3 pole



Table 3 - 2, 3, and 4-Pole Contactors—600 Vac Maximum (above 240 V, all lines must be switched)

Full Load Amperes	Locked Rotor Amperes			Resistance Load Amperes	Horsepower Ratings				N.O. Poles	Class 8910 Type ¹
	230 V	460 V	575 V		115 V, 1Ø	230 V, 1Ø	230 V, 3Ø	460/575 V, 3Ø		
30	180	150	120	40	2	5	10	15/20	2 3 4	DPA32 DPA33 DPA34
40	240	200	160	50	3	7.5	10	20/25	2 3 4	DPA42 DPA43 DPA44
50	300	250	200	65	3	10	15	30	2 3	DPA52 DPA53
60	360	300	240	75	5	10	25	30	2 3	DPA62 DPA63

1. Add the voltage code suffix from Coil Voltage Codes, page 7.

**Table 3 - 2, 3, and 4-Pole Contactors—600 Vac Maximum (above 240 V, all lines must be switched)
(Continued)**

Full Load Amperes	Locked Rotor Amperes			Resistance Load Amperes	Horsepower Ratings				N.O. Poles	Class 8910 Type ²
	230 V	460 V	575 V		115 V, 1Ø	230 V, 1Ø	230 V, 3Ø	460/575 V, 3Ø		
75	450	375	300	94	5	15	25	40	2 3	DPA72R DPA73R
90	540	450	360	120	7.5	20	30	50	2 3	DPA92 DPA93

**Table 4 - 2 N.O. and 2 N.C. 4-Pole Contactors 600 Vac Maximum
(above 240 V, all lines must be switched)**

Full Load Amperes	Resistive Load Amperes	Poles		Contactors, Class 8910	
		N.O.	N.C. ³	Type ²	Form ⁴
30	40	2	2	DPA34	Y392

Figure 4 - Auxiliary Contact Installation, 50–90 A (no tools required)

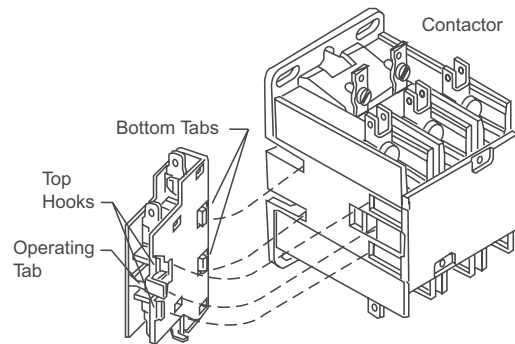


Table 5 - Auxiliary Contacts

For Use with, Class 8910 Type	Contact Arrangement	Auxiliary Contacts Class 9999 Type 20–90 A ⁵
DPA	1 N.O.	D10
	1 N.C.	D01
	1 N.O. / 1 N.C.	D11
	2 N.O.	D20

Table 6 - NEMA Type 1 General Purpose Enclosures for Type DP and DPA Contactors

For Contactors, Class 8910 Type	Full Load Amperes	Poles	Enclosures, Class 9991 Type
DP	30–40	1 and 2	DPG1
DPA	30–40	2 and 3	DPG1
		4	DPG2
	50	2 and 3	DPG2
	60–75	2 and 3	DPG3
	90	2 and 3	DPG4

2. Add the voltage code suffix from *Coil Voltage Codes*, page 7.
 3. The N.C. poles are on the outside. The N.C. poles open before the N.O. poles close.
 4. Add the Form value after the voltage code (For example, 8910DPA53V02Y392).
 5. 20-90 A series B, and C after date code 1401. 20-40 A series C before date code 1401.

Table 7 - Coil Voltage Codes

Voltage		Voltage Code Type DP, DPA
60 Hz	50 Hz	
24	24	V14
120	110	V02
208	—	—
208–240	220	V09
230–240	220	—
277	—	V04
480	440	V06
600	550	V07 (not available for Type DP, 1-pole and 2-pole devices)

Table 8 - Types DP and DPA Specifications



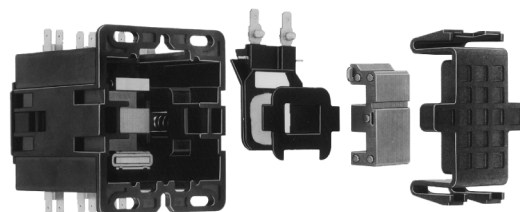
Mechanical Life	500,000 operations (actual product life will vary based on electrical load, duty cycle, application, and environmental conditions)	
Electrical Life	Type DP	100,000 operations
	Type DPA	200,000 operations
Duty Cycle	Continuous	
Operating Temperature	0–65 °C (32–149 °F)	
Slip-on Connector Rating	30 A, 75 °C wire	
Approvals	 UL Recognized File E3190 CCN NLDX2  CSA Certified File LR25490 Class 3211 04	

Table 9 - Replacement Coils for Class 8910 Type DPA

For Types	Full Load Amperes	Poles	Class 9998 Type ⁶	Volt-Amperes	
				Inrush	Sealed
DP	50–60	2, 3	DA2	109	10
	75–90	2, 3	DA3	214	19
DP32	Coils are not replaceable.			33	8
DPA32–DPA44	Coils are not replaceable.			60	6

Figure 5 - Coil Replacement, 50–60 A (no tools required)



6. Add the voltage code suffix from Type DPA Coil Voltage Codes, page 8. For example, a 120 V, 60 Hz coil for an 8910DPA53V02 contactor is 9998DA2V02.

Table 10 - Type DPA Coil Voltage Codes

Voltage, 60 Hz	Voltage, 50 Hz	Voltage Code
24	24	V14
120	110	V02
208–240	220	V09
277	—	V04
480	440	V06
600	550	V07 (Type DPA contactors only)

Table 11 - Power Terminals

Full Load Amperes	Type of Lug	Power Terminals
		Wire Range mm ² (AWG) solid or stranded copper wire only
30	binder head	1.5–10 (16–8)
40	box lug	2.5–25 (14–4)
50–60	box lug	2.5–35 (14–2)
75–90	box lug	2.5–55 (14–1/0)

Table 12 - Mounting Attachment

Description	Class 9999 Type
DIN mounting bracket attachment	DMB1

Factory Modifications

Table 13 - Factory Modifications

Modification	Form (add to the catalog number after the voltage code)
Factory installed auxiliary contacts	Contact your local Schneider Electric office.
Pressure wire connectors (30 A)	Y122
Box lugs (30 A)	Y239
DIN mounting bracket attached, 35 mm (available for 30–60 A devices only)	Y135

Figure 6 - Type DP, 1 Pole 30–40 Full Load Amperes

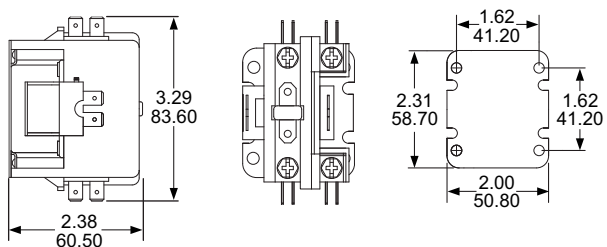


Figure 7 - Type DP, 2 Pole 30–40 Full Load Amperes

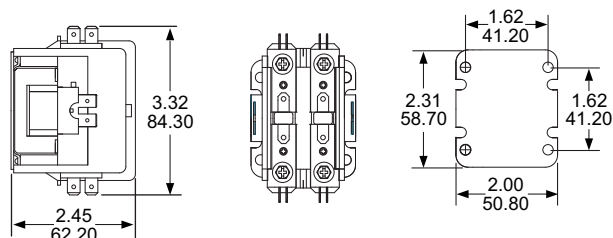


Figure 8 - Type DPA, 2 and 3 Pole 30–40 Full Load Amperes

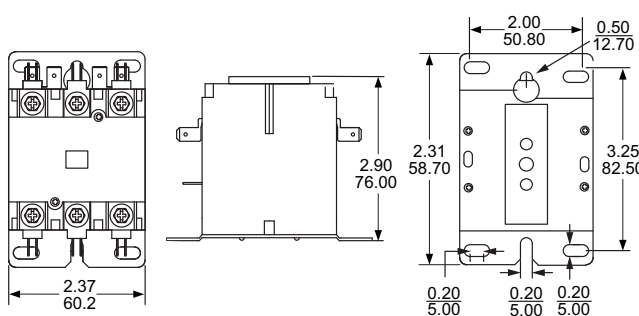


Figure 9 - Type DPA, 4 Pole 30–40 Full Load Amperes

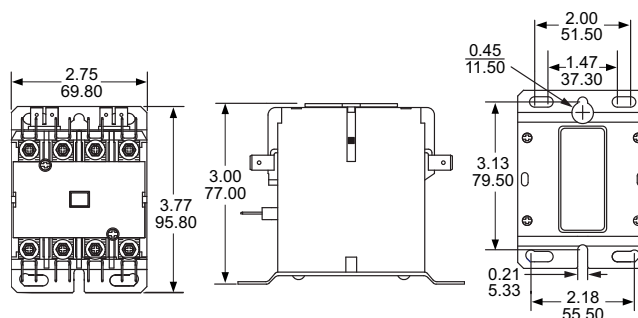


Figure 10 - Type DPA, 2 and 3 Pole 50, 60, and 75 Full Load Amperes

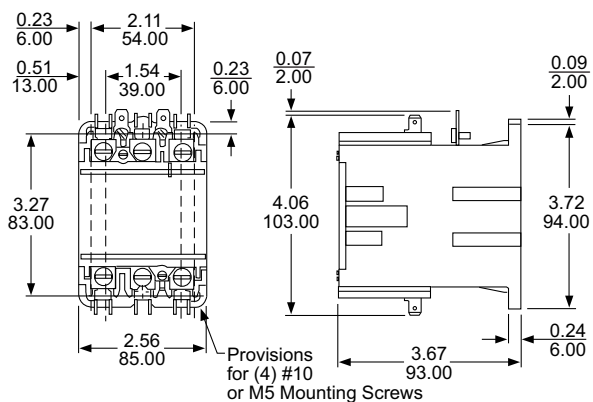
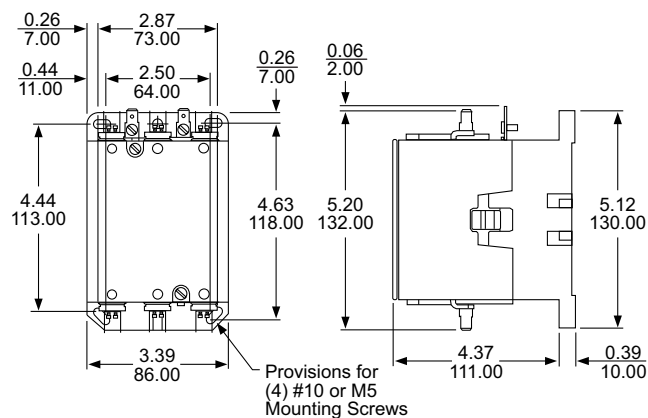


Figure 11 - Type DPA, 2 and 3 Pole 90 Full Load Amperes



Starters, Class 8911 Types DPS and H-M

Class 8911 definite purpose starters are economical starters for applications with relatively low duty cycles. Typical applications include air compressors, agricultural equipment, pumps, and HVAC equipment. Definite purpose starters offer the following:

Features

- Low cost
- Small size
- Melting-alloy overload block
- Trip-free reset mechanism
- Open style or enclosed option
- 500,000 mechanical operations (typical)

To order, specify the Class, Type, and Voltage Code (where indicated).

Figure 12 - 8911DPSO33V02

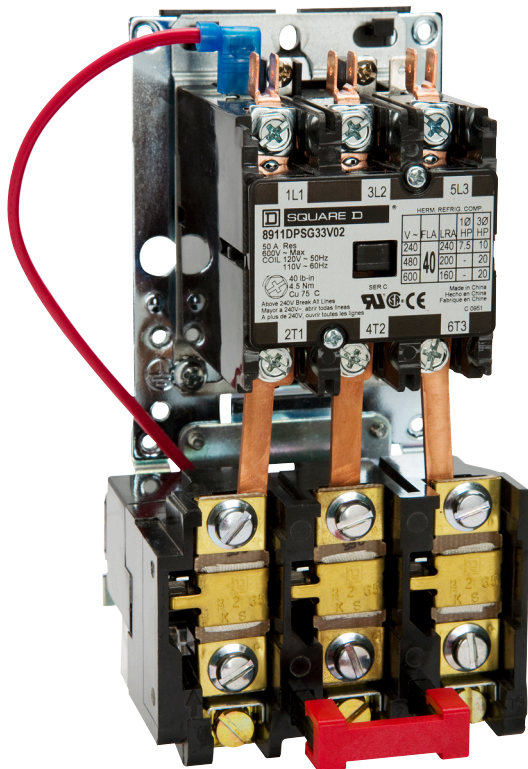


Figure 13 - 8911DPSG12V02



Table 14 - 2, 3, and 4-Pole Starters—600 Vac Maximum

No. of Poles	Full Load Amperes	Horsepower Ratings				Class 8911 Type ^{7 8}		No. of Thermal Units ⁹
		115 V, 1Ø	230 V, 1Ø	230 V, 3Ø	460/575 V, 3Ø	Open Style	NEMA Type 1 Enclosed	
2-pole single phase	30	2	5	—	—	DPSO32	DPSG32	3
	40	3	7.5	—	—	DPSO42	DPSG42	
	50	3	10	—	—	DPSO52	DPSG52	

7. Holding circuit contacts do not come standard; refer to the instruction bulletin supplied with the contactor.
 8. Add the voltage code suffix from Coil Voltage Codes, page 14.
 9. See the instruction label for selection information.

Table 14 - 2, 3, and 4-Pole Starters—600 Vac Maximum (Continued)

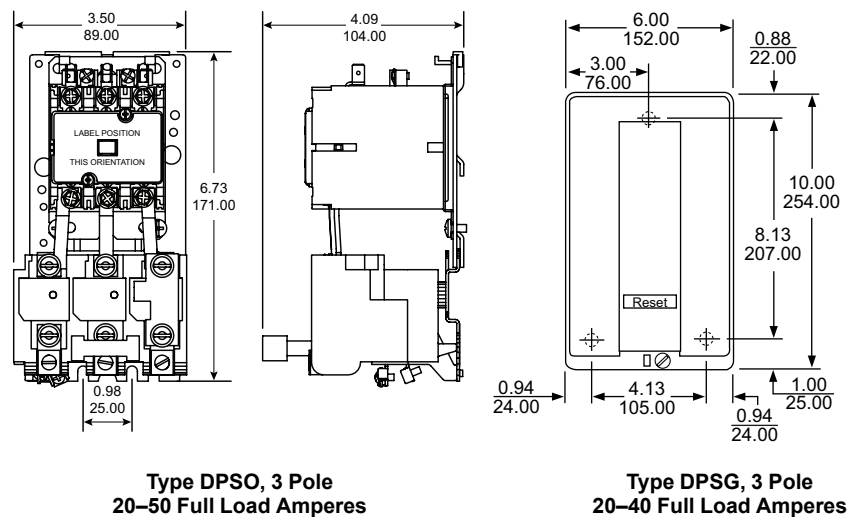
No. of Poles	Full Load Amperes	Horsepower Ratings				Class 8911 Type ^{10 11}		No. of Thermal Units ¹²
		115 V, 1Ø	230 V, 1Ø	230 V, 3Ø	460/575 V, 3Ø	Open Style	NEMA Type 1 Enclosed	
3-pole poly-phase	20	1.5	3	7.5	7.5	DPSO13	DPSG13	3
	25	2	5	10	15/20	DPSO23	DPSG23	
	30	2	5	10	15/20	DPSO33	DPSG33	
	40	3	7.5	10	20/25	DPSO43	DPSG43	
	50	3	10	15	30	DPSO53	DPSG53	

Approvals



Figure 14 - Approximate Dimensions

Dimensions: $\frac{\text{in.}}{\text{mm}}$



10. Holding circuit contacts do not come standard; refer to the instruction bulletin supplied with the contactor.
 11. Add the voltage code suffix from Coil Voltage Codes, page 14.
 12. See the instruction label for selection information.

Reversing/Hoist Contactors, Class 8965 Type DPR

Class 8965 Type DPR reversing/hoist contactors are designed for the control of motors in hoists, overhead doors, small elevators, commercial laundry equipment, and other related products that use reversing motors. They are rated to perform in the short periods of jogging experienced in hoist service.

The coils are designed to operate on line voltages of 85–110% of rated voltage, at 50 or 60 Hz only. Coils are easily replaced by removing the external base. Auxiliary contacts can be field-installed on any Class 8965 reversing contactor.

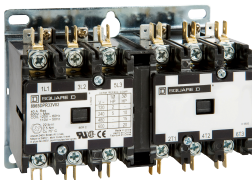
Type DPR contactors accept one auxiliary contact module with up to two isolated circuits per side (two modules per device). Typically, when separate auxiliary contacts are ordered, two modules are used for each device—one for forward and one for reverse.

To order, specify the Class, Type, and Voltage Code (where indicated).

Table 15 - Reversing/Hoist Contactors—600 Vac Maximum

No. of Poles	Horsepower Ratings ¹³				Open Style Class 8965 Type ¹⁴
	115 V, 1Ø	230 V, 1Ø	230 V, 3Ø	460/575 V, 3Ø	
3-pole polyphase	2	5	15	15/20	DPR33
	3	7.5	15	20/25	DPR43
4-pole polyphase	2	5	15	15/20	DPR34
	3	7.5	15	20/25	DPR44

Figure 15 - Type DPR33V02



Approvals



Table 16 - Coil Voltage Codes

Volts, 60 Hz	Volts, 50 Hz	Voltage Code
24	24	V14
120	110	V02
208–240	220	V09
277	—	V04
480	440	V06
600	550	V07

Table 17 - Auxiliary Contacts, Separate Module

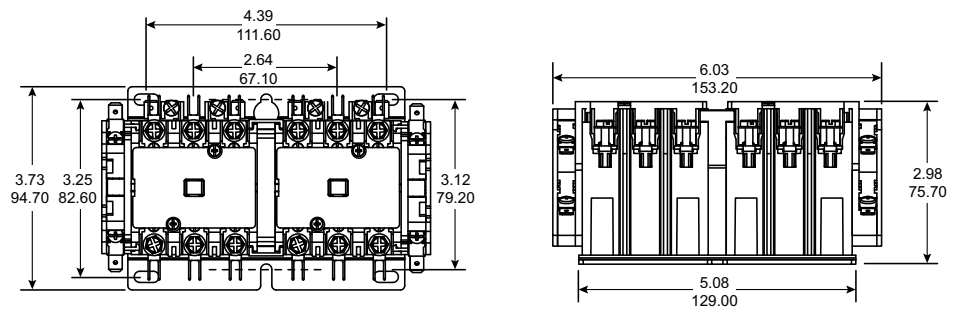
Description	Class 9999 Type ¹⁵
1 N.O.	D10
1 N.C.	D01
1 N.O. / 1 N.C.	D11
2 N.O.	D20

Table 18 - Auxiliary Contacts, Factory Installed

Description	Form ¹⁶
1 N.O. each side	X1010
1 N.C. each side	X0101
1 N.O. / 1 N.C. each side	X1111
2 N.O. each side	X2020

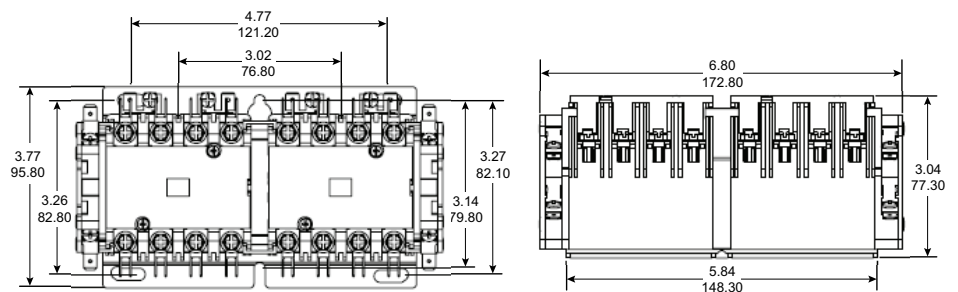
13. For rapid operation (jogging duty), use the next larger size contactor.
 14. Add the voltage code suffix from *Coil Voltage Codes*, page 12.
 15. Order two modules for Type DPR—one for each side.
 16. Add to the catalog number after the voltage code.

Figure 16 - Type DPR 3-Pole Reversing/Hoist Contactors, Approximate Dimensions



Dimensions: $\frac{\text{in.}}{\text{mm}}$

Figure 17 - Type DPR 4-Pole Reversing/Hoist Contactors, Approximate Dimensions



Dimensions: $\frac{\text{in.}}{\text{mm}}$

Table 19 - Cross-Reference of Existing to Replacement Devices, Class 8911

Class 8911 Type		Class 8911 Type	
Existing Device	Replacement Device	Existing Device	Replacement Device
HO33	DPSO13	LO33	DPSO43
HG33	DPSG13		
JO33	DPSO23	LG33	DPSG43
JG33	DPSG23		
KO33	DPSO33	MO33	DPSO53
KG33	DPSG33	MG33	DPSG53
KO43	17	MO43	17
KG43		MG43	

Table 20 - Parts and Accessories

Description	Class and Type
Start-Stop push button kit ¹⁸	8911DPB1
Hand-Off-Auto selector switch kit ¹⁸	8911DSS1
Standard N.C. overload relay contact	9998SO1

17. A Type DPS 4-pole starter is not available. The 3-pole device with auxiliary contact is recommended.

18. Use for 20–40 A starters; for larger sizes, contact your local Schneider Electric office. These kits include the support bracket for the operator and slip-on connectors where required.

Table 20 - Parts and Accessories (Continued)

Description	Class and Type
N.C. and N.O. isolated overload relay alarm contacts	9999SO4
Overload relay jumper strap	9998SO31

Table 21 - Class 8911 Replacement Coils

Full Load Amperes	Poles	Class 9998 Type ¹⁹	Volt-Amperes	
			Inrush	Sealed
50	2 and 3	DA2	109	10

Table 22 - Coil Voltage Codes

Voltage, 60 Hz	Voltage, 50 Hz	Voltage Code
24	24	V14
120	110	V02
208–240	220	V09
277	—	V04
480	440	V06
600	550	V07

Table 23 - Auxiliary Contacts for Type DPS Starters

Description ²⁰	Class 9999 30 – 50 A
1 N.O.	D10
1 N.C.	D01
1 N.O. / 1 N.C.	D11
2 N.O.	D20

Table 24 - Ratings—Overload Contacts and Auxiliary Contacts

Device	Vac	Pilot Duty—AC Only (35% Power Factor)		Continuous Current Rating
		Make	Carry and Break	
9998SO1	120 or less	30 A	3 A	5 A
9999SO4 9999 R10,R13 9999 D10, D01, D11, D20	120–600	3600 VA	360 VA	5 A

19. Add the voltage code suffix from Coil Voltage Codes, page 14.

20. Auxiliary contacts must be field installed. Contact your local Schneider Electric office.

Reversing/Hoist Contactors, Class 8965 Type R

Class 8965 reversing/hoist contactors meet the small space requirements found in electrical hoists, light duty cranes, door operators, and related products. They are designed to perform in the short periods of jogging experienced in hoist service. Note that these contactors must be mounted upright on the vertical plane; the contactors will not operate properly when mounted in any other position.

To order, specify the Class, Type, and Voltage Code (where indicated).

Table 25 - Application Data



Coils	Duty: Hoist Duty, H4 Intermittent Voltage Range: AC coils only +10%, -15% of nominal
Burden	Inrush 76 VA, Sealed 27 VA
Approvals	<div style="display: flex; align-items: center; justify-content: space-around;"> <div style="text-align: center;">  <p>UL Recognized File E3190 CCN NLDX2</p> </div> <div style="text-align: center;">  <p>CSA Certified File LR60905 Class 3211 04</p> </div> </div>

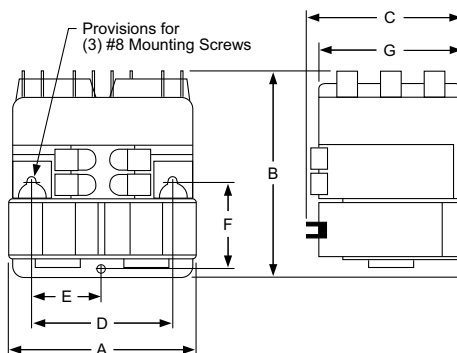
Table 26 - AC Reversing/Hoist Contactors—600 Vac Maximum

No. of Poles	Horsepower Ratings				Power Terminals	Open Style, Class 8965 Type	
	115 V, 1Ø	230 V, 1Ø	230 V, 3Ø	460/575 V, 3Ø		With Jumper Straps ²¹	Without Jumper Straps ²¹
3-pole polyphase	1	1.5	3	3	Quick connect	RO10	—
					Pressure wire ²²	RO12	RO13

Table 27 - Approximate Dimensions (3 Poles per Contactor)

Type	A		B		C		D		E		F		G	
	in.	mm	in.	mm	in.	mm	in.	mm	in.	mm	in.	mm	in.	mm
RO10, 11	3.31	84	3.31	84	3.03	77	2.69	68	1.34	34	1.56	40	2.66	68
RO12, 13	3.31	84	3.69	94	2.69	68	2.69	68	1.34	34	1.56	40	2.66	68

Figure 18 - Approximate Dimensions



21. Jumper straps connect the line side power terminals of the same phase between the forward (up) and reverse (down) contactors in common; for example, L1 to L1, L2 to L2, and L3 to L3.
 22. Coils rated 120 Vac or less are available with quick connect terminals only.

Table 28 - Cross Reference—Obsolete Devices

Obsolete Device		Replacement Device		Auxiliary Contact Required	
Class	Type	Class	Type	Class	Type
8702 or 8965	HO3	8965	RO12	—	—
	HO4		RO12	9999	R12
	HO5		RO12	9999	R13
	HO6		RO12	—	—
	HO7		RO12	9999	R12
	HO8		RO12	9999	R13
8965	RG2S1	8965	RO10	9999	R10
	RG5S1		RO12	9999	R12
	RG5S2		RO12	9999	R12
	RO1		RO10	—	—
	RO1S1		RO11	—	—
	RO1S2		RO10	—	—
	RO1S3		RO11	—	—
	RO1S4		RO10	—	—
	RO1S5		RO10	—	—
	RO1S6		RO10	—	—
8965	RO2	8965	RO10	9999	R10
	RO2S1		RO11	9999	R10
	RO2S2		RO10	9999	R10
	RO3		RO10	9999	R11
	RO3S1		RO11	9999	R11
	RO3S2		RO10	9999	R11
	RO3S3		RO10	9999	R11
	RO4		RO12	—	—
	RO4S1		RO13	—	—
	RO5		RO12	9999	R12
	RO5S1		RO13	9999	R12
	RO5S2		RO12	9999	R12
	RO6		RO12	9999	R13
	RO6S1		RO13	9999	R13
	RO6S2		RO12	9999	R13

Replacement Parts Kits, Class 9998

Class 9998 replacement parts kits are available for servicing Square D™ contactors.

Replacement Contact Kits

Each Class 9998 replacement contact kit contains the necessary movable and stationary contacts, contact springs, and additional hardware required to service the devices listed below.

Figure 19 - Class 9998 Type RA10



Table 29 - Class 9998 Replacement Contact Kits for Class 8965 Reversing/Hoist Contactors

Device To Be Serviced		Contact Kit Class 9998 Type	Quantity
Contactor, Class 8965 Type	Series		
RO10	All	RA10	One kit services three poles
RO11		RA11	
RO12		RA12	

Table 30 - Class 9998 Replacement Contact Kits for Class 8910 Definite Purpose Contactors

Device To Be Serviced		Contact Kit Class 9998 Type	Quantity
Contactor, Class 8910 Type	Series		
DPA5	A, B	DRC5	One kit per pole
DPA6	A, B	DRC6	
DPA7	A	DRC7	
DPA9	A	DRC9	

Contact Units for Melting Alloy Overload Relays

One N.C. contact, Class 9998 Type SO1, is provided in each overload relay block on Class 8911 Type DPS starters. Replacement contact modules are listed in Class 9998 Replacement Contact Modules, page 18.

Isolated overload relay alarm circuit contacts are available as an optional feature. A pilot light or audible alarm can be wired in series with this contact to indicate that the overload relay has tripped.

Table 31 - Class 9998 Replacement Contact Modules

Magnetic Starter		Description	Parts Kit Class 9998 Type
Size	Type		
20-90 A	DPS	Standard N.C. contact unit	SO1
		N.O. isolated alarm contact and standard N.C. overload contact	SO4

Figure 20 - Class 9998 Type SO1



Table 32 - DP Type SO1 Contact Ratings

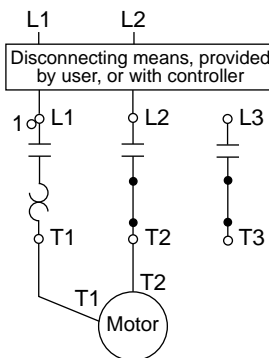
NEMA Contact Rating	Volts (110 V Minimum Recommended)	Inductive 35% Power Factor			
		Make		Break	
		A	VA	A	VA
B600	120	30	3600	3	360
	240	15	3600	1.5	360
	480	7.5	3600	0.75	360
	600	6	3600	0.6	360

Melting Alloy Overload Relay Jumper Strap Kits

Jumper strap kits are used only on three-phase magnetic starters with melting alloy overload relays, where a three-phase starter is used to control a single-phase motor. These kits include two jumper straps, a wiring diagram showing how to wire a three-phase starter to control a single-phase motor, and thermal unit selection tables for single-phase operation.

Class	For Starter		Parts Kit Class 9998 Type
	Size	Type	
All	20-50 A	DPS	SO31

Figure 21 - Three-phase starter wiring to control a single-phase motor



External Auxiliary Contacts, Class 9999

Table 33 - Class 8910 and 8911 Definite Purpose Contactors and Starters—Auxiliary Contacts

Device to be Serviced Class 8910 or 8911 Type	Auxiliary Contact Kit	
	Contact Arrangement	30–90 A
DPA DPS	1 N.O.	D10
	1 N.C.	D01
	1 N.O. / 1 N.C.	D11
	2 N.O.	D20

Table 34 - Class 8965 Reversing/Hoist Contactors—Auxiliary Contacts

Device to be Serviced Class 8965 Type	Auxiliary Contact Kit		
	Contact Arrangement	Type of Connector	Class 9999 Type
DPR	1 N.O.	screw/quick connect	D10
	1 N.C.		D01
	1 N.O. / 1 N.C.		D11
	2 N.O.		D20
RO2 and RG2	1 N.O. each side	slip-on	R10
RO10 Form X1			
RO11 Form X1			
RO3 and RG3	1 N.C. each side	slip-on	R11
RO10 Form X2			
RO11 Form X2			
RO5 and RG5	1 N.O. each side	screw	R12
RO12 Form X1			
RO13 Form X1			
RO6 and RG6	1 N.C. each side	screw	R13
RO12 Form X2			
RO13 Form X2			

Schneider Electric
800 Federal Street
Andover, MA 01810
USA

888-778-2733

www.se.com

As standards, specifications, and design change from time to time,
please ask for confirmation of the information given in this publication.

© 1998 – 2021 Schneider Electric. All rights reserved.

8910CT9301R03/21