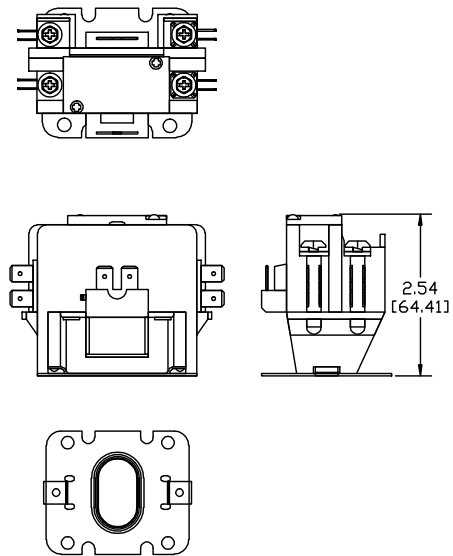
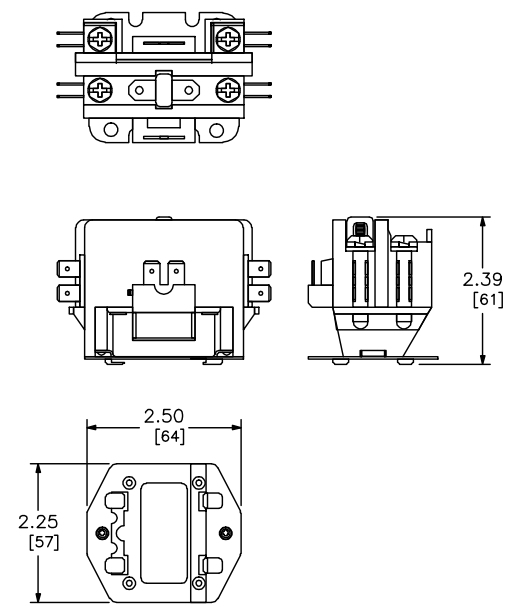


NO COVER NO DIN



WITH COVER NO DIN



NO COVER WITH DIN

CONTACTOR, 1 POLE
8910DP 20-40A



DWG# PWCTR-LP5F-0001
NO.