



Product Datasheet


ANDERSON FARGO

HAS62C -- Suspension Clamp



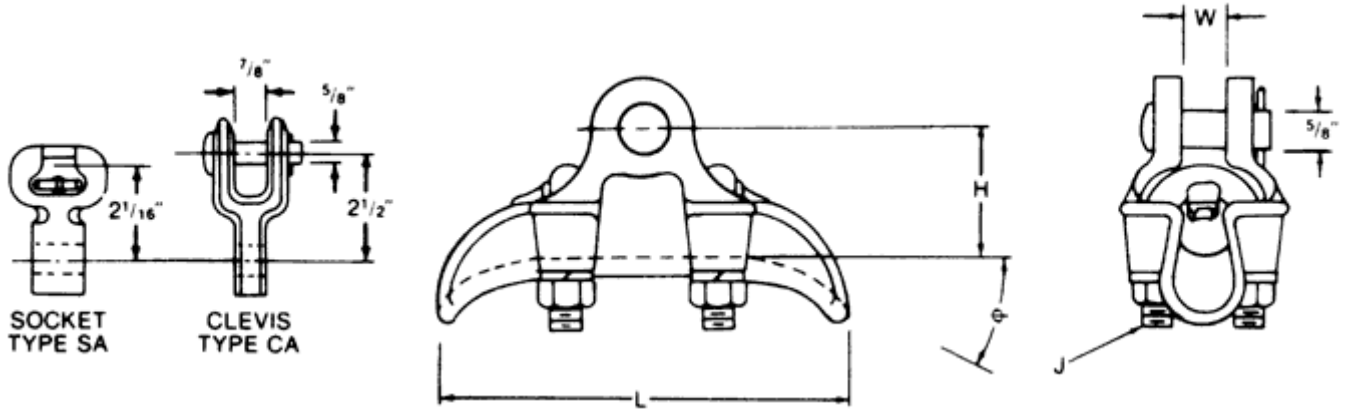
Suspension Clamp, Aluminum, for use with conductors 0.2 - 0.62 with fitting: Clevis

Product Specifications

Series	 <p>HAS series Standard Voltage Aluminum</p>
PDF Catalog Page	Click HERE to view the web page.
Fitting	Clevis
Clamp Material	Aluminum
Fitting Catalog No.	CA-04
Ultimate Body Strength	17,000 lbs (7,711 kgs)
Maximum Take-off Angle 0	30
Dimension H	2.28 in (57.9 mm)
Dimension J	0.500 in (12.7 mm)
Dimension L	6.75 in (172 mm)
Dimension W	0.906 in (23.0 mm)
Hardware Material	Galvanized Steel
Minimum - Maximum Conductor Size	AAC 4 sol Thru AAC 1 str (7) w/Armor Rods AAAC 5 str(7) Thru AAAC 2 str(7) w/Armor Rods ACSR 4 (6/1) Thru ACSR 2 (7/1) w/Armor Rods
Clamping Range	0.20 - 0.62 in (5.08 - 15.75 mm)
Voltage Application	Standard
Material Type	Non-Standard
UPC Code	09635931512

Standard Package	10
Standard Package Unit	Each
Min Order Qty	1
Weight / Ea.	3.43 lbs

Compressed Product Number
HAS62C



[Catalog Home](#)



[Warranty Info](#) | [Trademarks](#) | [Terms of Use](#)

All contents Copyright © 2007 Hubbell Power Systems, Inc. All rights reserved.

NOTE: Because Hubbell has a policy of continuous product improvement, we reserve the right to change design and specifications without notice.