

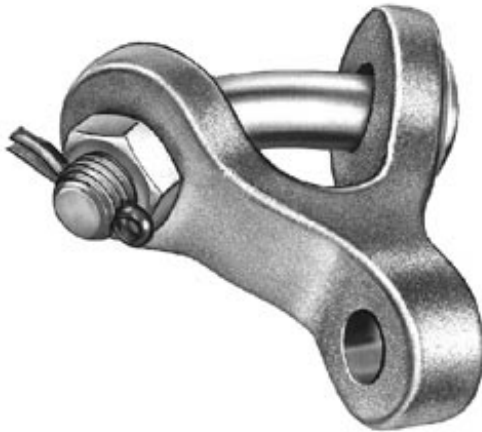


[Catalog Home](#)

Product Datasheet

ANDERSON FARGO

YCS04034 -- Y-Clevis Eye



Y-Clevis Eye, Ductile Iron, 0.750" Curved Bolt, Eye: 0.500" with 0.688" Hole, UTS 19,000 lb

Product Specifications

Hardware Family



**Clevis Eye &
Y-Clevis Eye**
Coupling Fittings

Clevis Eye Fittings



YCS Series
Y-Clevis Eye
Coupling Fittings

PDF Catalog Page

[Click HERE to view the web page.](#)

Ultimate Strength

19,000 lb (8,618 kg)

Coupling Length

3.500 in (88.90 mm)

Eye Width

0.500 in (12.70 mm)

Eye Hole Diameter

0.688 in (17.48 mm)

Dimension B

1.750 in (44.45 mm)

Dimension R

0.813 in (20.64 mm)

Dimension W

0.500 in (12.70 mm)

Dimension PD

0.750 in (19.05 mm)

Material	Ductile Iron
Cotter Pin Material	Stainless Steel
Clevis Pin Material	Galvanized Steel
Material Type	Standard
UPC Code	09635934447
Standard Package	15
Standard Package Unit	Each
Min Order Qty	1
Weight / Ea.	2.646 lbs

Compressed Product Number
YCS04034

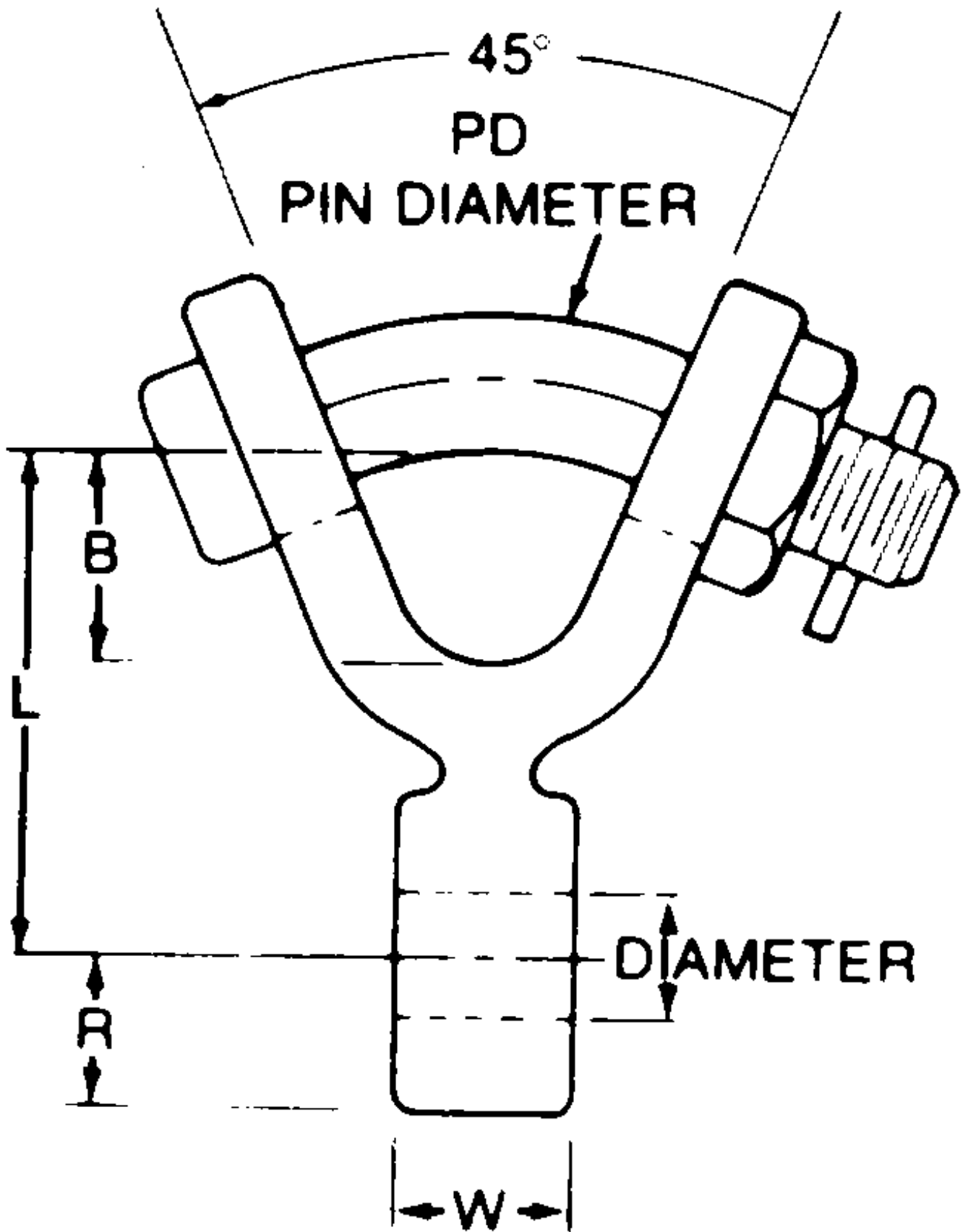


FIGURE 1 YCS



[Warranty Info](#) | [Trademarks](#) | [Terms of Use](#)

All contents Copyright © 2007 Hubbell Power Systems, Inc. All rights reserved.

NOTE: Because Hubbell has a policy of continuous product improvement, we reserve the right to change design and specifications without notice.