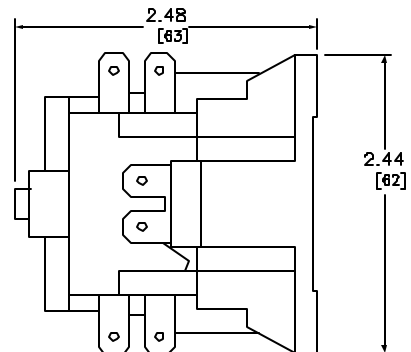


SERIES A



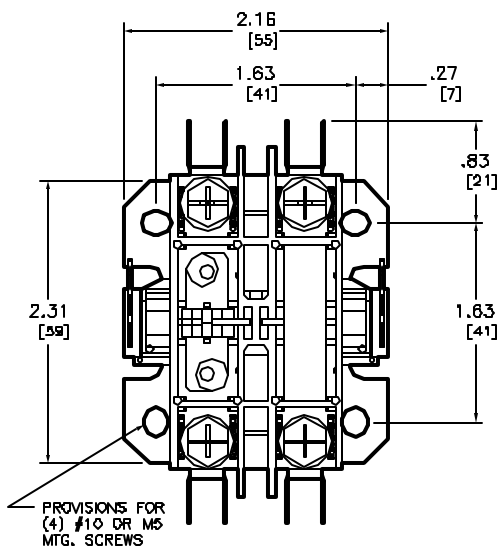
1-POLE DEFINITE PURPOSE - 300 VAC, 50-60 HZ

FULL LOAD AMPERES CODE (2)	
TYPE	FLA
11	20 FLA
21	25 FLA
31	30 FLA
41	40 FLA

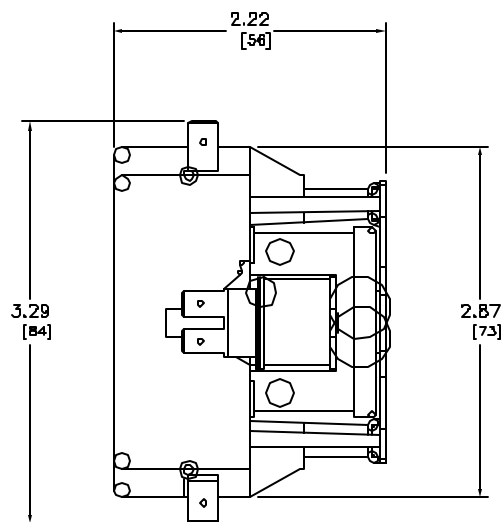
COIL VOLTAGE CODE (1)	VOLTAGE	
	60 HZ	50 HZ
V14	24	24
V02	120	110
V09	208-240	220
V04	277	-

QUICK CONNECT TERMINALS AND BINDER HEAD SCREWS FOR EASY WIRING.

* - BOX LUGS #14-#8 AWG WIRE SIZE



SERIES B



DUAL DIMENSIONS: INCHES MILLIMETERS

Catalog Number: BB10-DP(2)(1)
 Ratings: SEE CHART
 UL File/CCN: E42240/CCN NLDX2
 CSA File/Class: LR25490/3211 D4
 Meets Standards: -
 Weight: 0.50 LB
 Wire Size: POWER - #14-#8
 Terminal torque: 2016.-In
 Mounting Hwd.: (4) #10 or M5 screws

DEFINITE PURPOSE CONTACTOR (1 POLE)
 GLASS 0910 TYPE DP(2X1)



DWG# E0310001-01
 NO.