

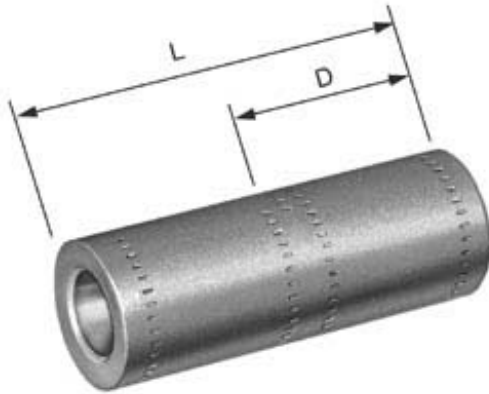


[Catalog Home](#)

Product Datasheet

ANDERSON FARGO

VACS600 -- Minimum Tension Compression Splice



Minimum Tension versatile Compression Splice

Product Specifications

Splice Type



VERSAtile™
Compression Splices
(For use with Die type
and VersaCrimp tools)

Versatile Compression Series



VACS Series
Compression Splice
VERSAtile™
Minimum Tension
Aluminum or Copper
Conductor

PDF Catalog Page

[Click HERE to view the web page.](#)

Conventional Tooling Conductor Size Minimum

0.891 in

Conventional Tooling Conductor Size Maximum

0.893 in

VersaCrimp Conductor Size Minimum

0.679 in

VersaCrimp Conductor Size Maximum

0.893 in

Material

Tin Plated Aluminum

Conventional Tooling Minimum Conductor

.891 in

Conventional Tooling Maximum Conductor

.893 in

Conventional Tooling Conductor Size

600 MCM Al

VersaCrimp Conductor Range

350-500 MCM Cu, 350-600 MCM Al

VersaCrimp Conductor Minimum	.679 in
VersaCrimp Conductor Maximum	.893 in
Dimension D	2.93 in (75 mm)
Dimension L	6.00 in (152 mm)
Length before Compression	6.0 in (152 mm)
Compression Method	VersaCrimp or Conventional Die Tooling
UL Listed	Y
Inhibitor Loaded	Yes
Color Code	Pink
Material Type	Standard
UPC Code	09635933446
Standard Package	6
Standard Package Unit	Each
Min Order Qty	6
Weight / Ea.	0.49 lbs

Notes

For use with either VersaCrimp or conventional tooling.

Features

For AL to AL, AL to CU or CU to CU connections

Compressed Product Number

VACS600

[Catalog Home](#)



[Warranty Info](#) | [Trademarks](#) | [Terms of Use](#)

All contents Copyright © 2007 Hubbell Power Systems, Inc. All rights reserved.

NOTE: Because Hubbell has a policy of continuous product improvement, we reserve the right to change design and specifications without notice.