



Catalog Number: 6648-GSC3R
Item Description: N3R SCREW CVR GUTTER
UPC Code: 784572108158

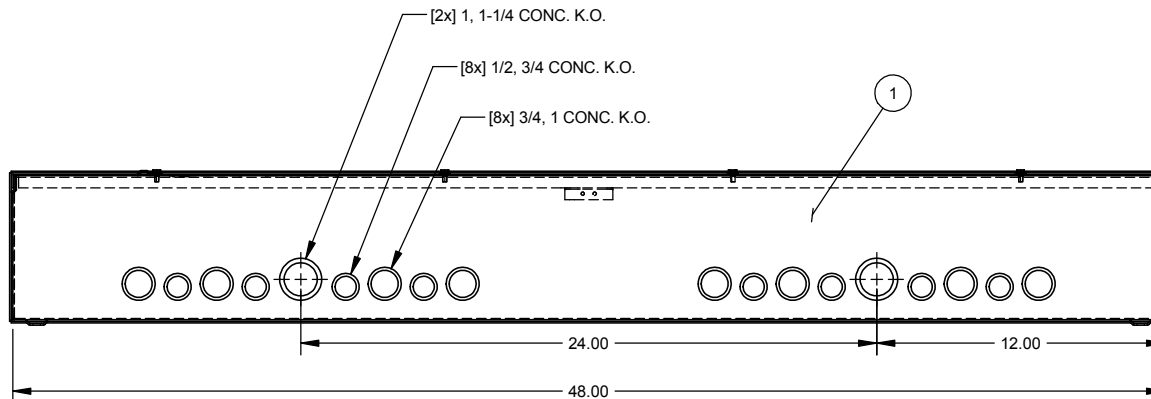
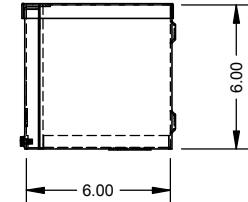
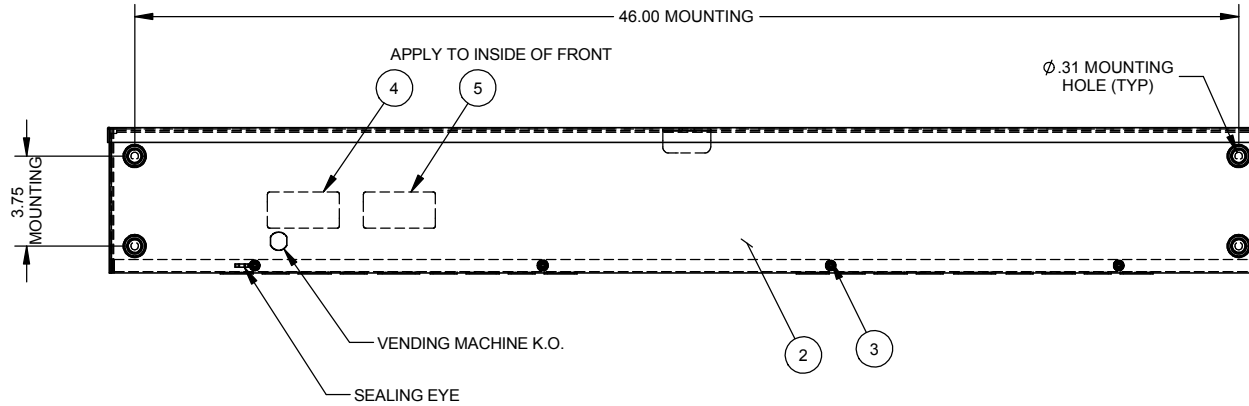
Brand Name: Milbank
Type: Wiring Trough
Special Features: Key Locking Cylinder Latch Provision,
Sealing Eye Lance
Application: Wireway
Standard: UL Listed, Type 3R
Cover Type: Screw Cover
Enclosure: Outdoor Enclosure
Nominal Cross Section: 6x6
Straight Section
Length: 48
Material: Steel with Powder Coat Finish
Finish: ANSI 61 Gray
Knockouts: True




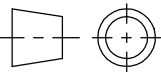
Utility requirements may vary. Always consult the serving utility for their requirements prior to ordering or installing this equipment. This product must always be installed by a licensed electrician. Installation of this equipment may require local electrical inspector approval.

LABEL CHART	
CATALOG#	LABEL#
6648-GSC3R(-)-()	1002943
RC-6648-GSC3R(-)-()	1125051
SPRSCG-6648	1132575

ITEM	QTY.	PART NUMBER	DESCRIPTION
1	1	(SEE CHART)	BACK WELDMENT
2	1	(SEE CHART)	FRONT
3	4	1001290	SCREW, 10-32 X 5/16
4	1	(SEE CHART)	UL LABEL, WIREWAY
5	1	1002897	LABEL, RATING 6x6 GSC3R



SUFFIX	WELDMNT #	FRONT #	K.O.	PAINTED
NONE	#1161600	#1004421	YES	YES
-NK	#1161601	#1004421	NO	YES
-NK-NP	#1161602	#1010779	NO	NO

Material:	16 GA. STEEL		 General Offices: Kansas City, MO	
Shear/ Die#:				
Finish:	(SEE CHART)			
Part Wt.:				
Tolerances: Unless Specified Otherwise X.X ±.1 X.XX ±.03 X.XXX ±.015 X* ±2*		Third Angle 		
Title:	SCREW COVER WIREWAY 6 x 6 x 48, TYPE 3R TYPE 3R ENCLOSURE		Catalog No.:	(SEE CHART)
Customer:	MILBANK STD.		Drawing No.:	1003061
Date:	2/6/03	Sheet	1 of 1	

REV.	DATE	DESCRIPTION	BY
C1	8-14-06	mECO #15069, ADDED NOTE #2.	CMW
C2	4/21/08	ADDED LABEL CHART & REMOVED NOTE #2(ECO.17139)	JLT
C3	10-25-12	DRAWING NUMBER WAS 282; UPDATED TO M2K (ECO #23097)	DL