



Catalog Number: 6618-GSC3R
Item Description: N3R SCREW CVR GUTTER
UPC Code: 784572107823

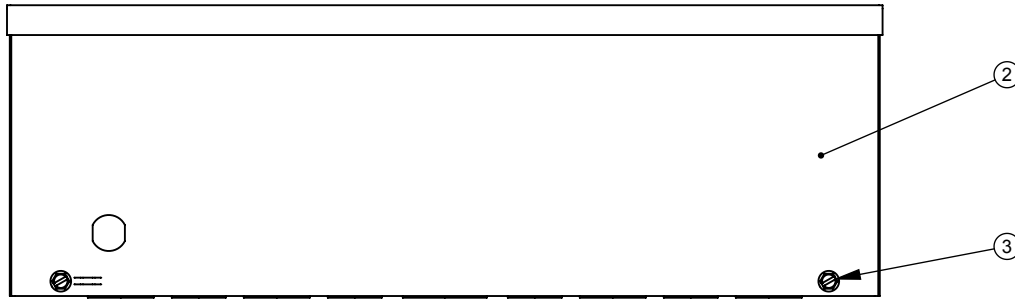
Brand Name: Milbank
Type: Wiring Trough
Special Features: Key Locking Cylinder Latch Provision,
Sealing Eye Lance
Application: Wireway
Standard: UL Listed, Type 3R
Cover Type: Screw Cover
Enclosure: Outdoor Enclosure
Nominal Cross Section: 6x6
Straight Section Length: 18
Material: Steel with Powder Coat Finish
Finish: ANSI 61 Gray
Knockouts: True



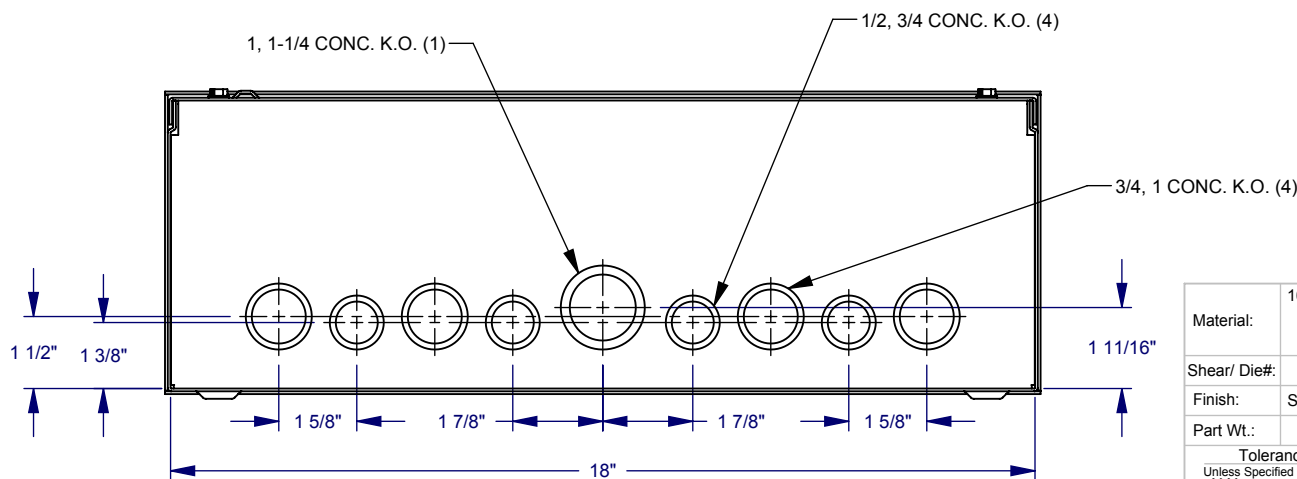
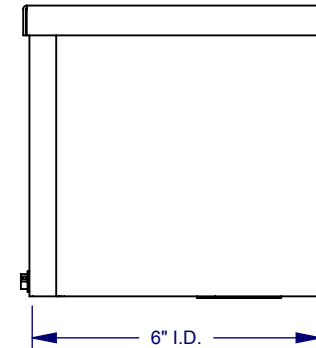
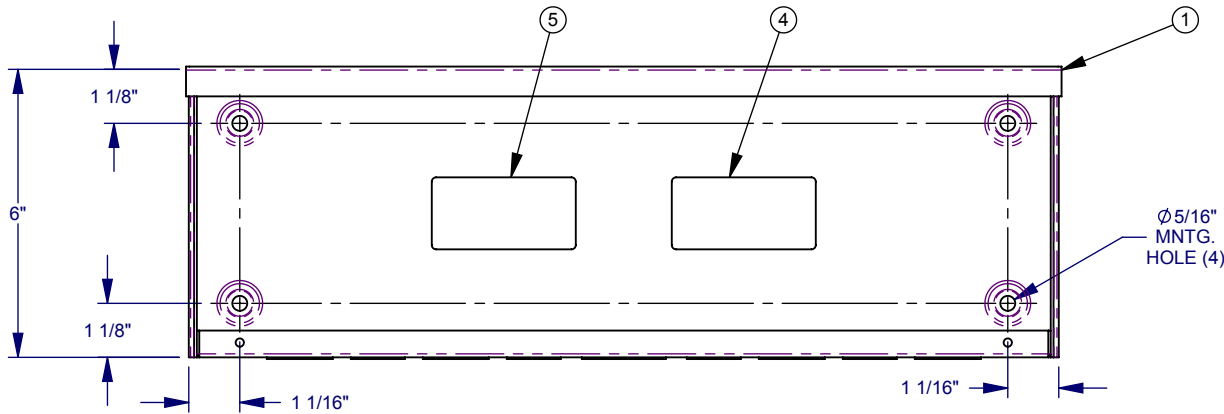
Utility requirements may vary. Always consult the serving utility for their requirements prior to ordering or installing this equipment. This product must always be installed by a licensed electrician. Installation of this equipment may require local electrical inspector approval.

CAT. NO.	U/L LABEL
6618-GSC3R	1002943
RC-6618-GSC3R	1125051
SPRSCG-6618	1132575

ITEM	QTY.	PART NUMBER	DESCRIPTION
1	1	(SEE CHART)	BACK WELDMENT
2	1	(SEE CHART)	FRONT
3	2	1001290	SCREW, 10-32 X 5/16
4	1	1002897	LABEL, RATING 6x6 GSC3R
5	1	(SEE CHART)	UL LABEL, WIREWAY





SUFFIX	FINISH	WELDMENT NO.	FRONT NO.	INSTALL K.O.s
NONE	MILBANK	1153009	1164669	YES
-NK	LIGHT GRAY	1164666		NO
-NP	NONE	1164667	1010773	YES
-NK-NP		1164668		NO



NEMA DWG.: #279

REV.	DATE	DESCRIPTION	BY
A3	5/11/11	REDRAW INTO SOLIDWORKS; UPDATE K.O. PATTERN (ECO #20576)	D.F.
A4	5/7/13	CHART VERSIONS (ECO #23913)	D.F.

Material:	16 GA. GALV. STEEL	 <p>General Offices: Kansas City, MO</p>
Shear/ Die#:		
Finish:	SEE CHART	Title:
Part Wt.:		Customer:
Tolerances:	Third Angle	Catalog No.:
Unless Specified Otherwise		Customer:
X.X ±.1		Drawing No.:
X.XX ±.03		Date:
X.XXX ±.015		Sheet
X* ±2*		1 of 1
Scale:	NTS	Checked By:
Drawn By:	D.F.	Approved By:

1011549