



Catalog Number: 6612-GSC3R-NK
Item Description: N3R SCREW CVR GUTTER NK
UPC Code: 784572107755

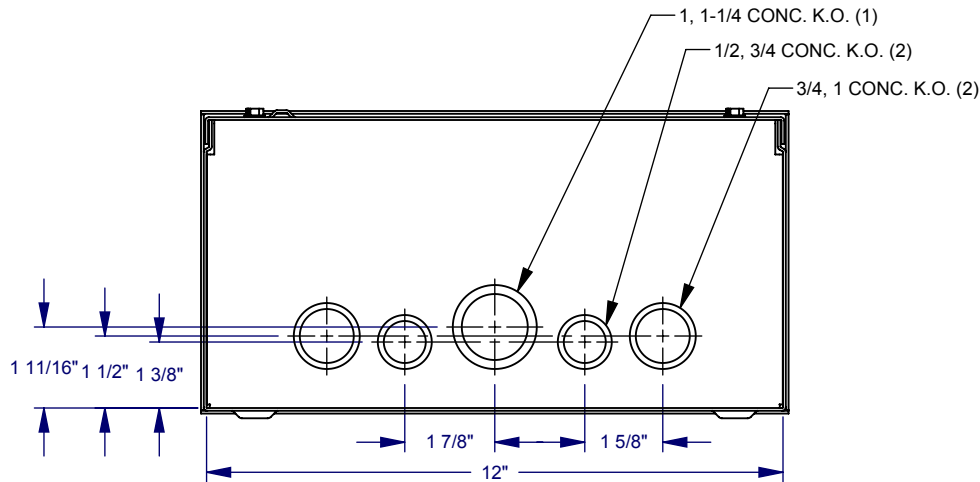
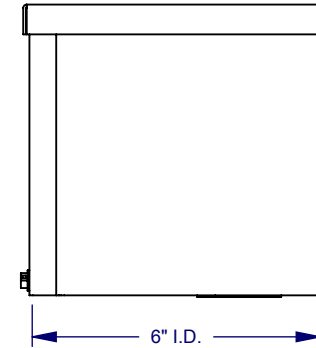
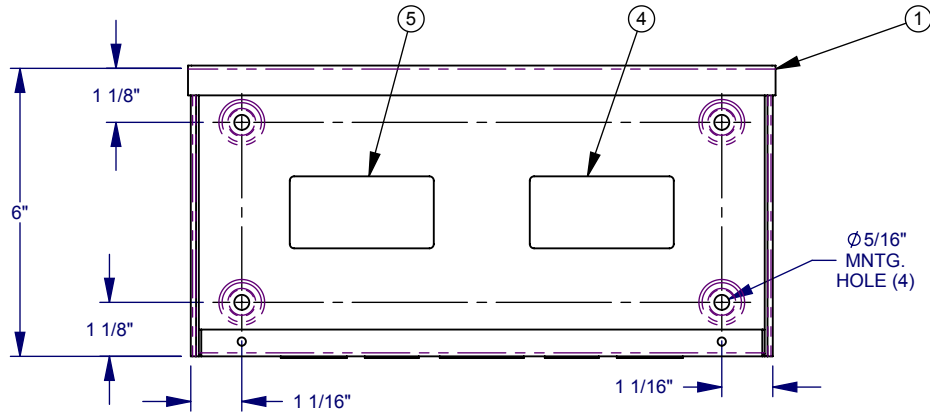
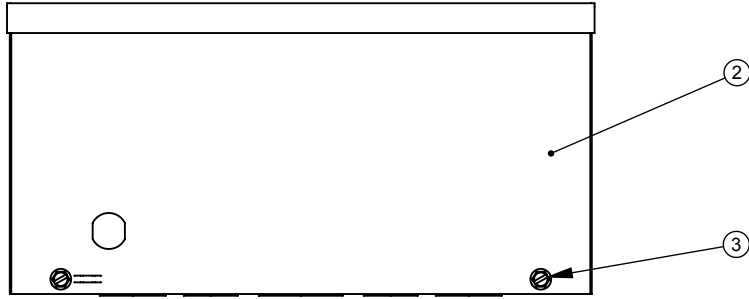
Brand Name: Milbank
Type: Wiring Trough
Special Features: Key Locking Cylinder Latch Provision,
Sealing Eye Lance
Application: Wireway
Standard: UL Listed, Type 3R
Cover Type: Screw Cover
Enclosure: Outdoor Enclosure
Nominal Cross Section: 6x6
Straight Section Length: 12
Material: Steel with Powder Coat Finish
Finish: ANSI 61 Gray
Knockouts: False





Utility requirements may vary. Always consult the serving utility for their requirements prior to ordering or installing this equipment. This product must always be installed by a licensed electrician. Installation of this equipment may require local electrical inspector approval.

CAT. NO.	U/L LABEL
6612-GSC3R	1002943
RC-6612-GSC3R	1125051
SPRSCG-6612	1132575

ITEM	QTY.	PART NUMBER	DESCRIPTION
1	1	(SEE CHART)	BACK WELDMENT
2	1	(SEE CHART)	FRONT
3	2	1001290	SCREW, 10-32 X 5/16
4	1	1002897	LABEL, RATING 6x6 GSC3R
5	1	(SEE CHART)	UL LABEL, WIREWAY



SUFFIX	FINISH	WELDMT NO.	FRONT NO.	INSTALL K.O.s
NONE	MILBANK LIGHT GRAY	1153008	1004418	YES
-NP	NONE	1164498	1011060	
-NK	MILBANK LIGHT GRAY	1164497	1004418	NO
-NK-NP	NONE	1164499	1011060	

Material:	16 GA. GALV. STEEL	 <p>General Offices: Kansas City, MO</p>
Shear/ Die#:		
Finish:	SEE CHART	Title: SCREW COVER WIREWAY NEMA TYPE 3R
Part Wt.:		Catalog No.: (SEE CHART)
Tolerances:	Third Angle	Customer:
Unless Specified Otherwise		Drawing No.: 1003045
X.X ±.1		Date: 5/11/11
X.XX ±.03		Sheet 1 of 1
X.XXX ±.015		
X* ±2*		
Scale: NTS	Checked By:	
Drawn By: D.F.	Approved By:	

NEMA DWG.: #278

REV.	DATE	DESCRIPTION	BY
A3	5/11/11	REDRAW INTO SOLIDWORKS; UPDATE K.O. PATTERN (ECO #20576)	D.F.
A4	4/25/13	CHART VERSIONS (ECO #23857)	D.F.