



Catalog Number: 4418-GSC3R  
Item Description: N3R SCREW CVR GUTTER  
UPC Code: 784572106376

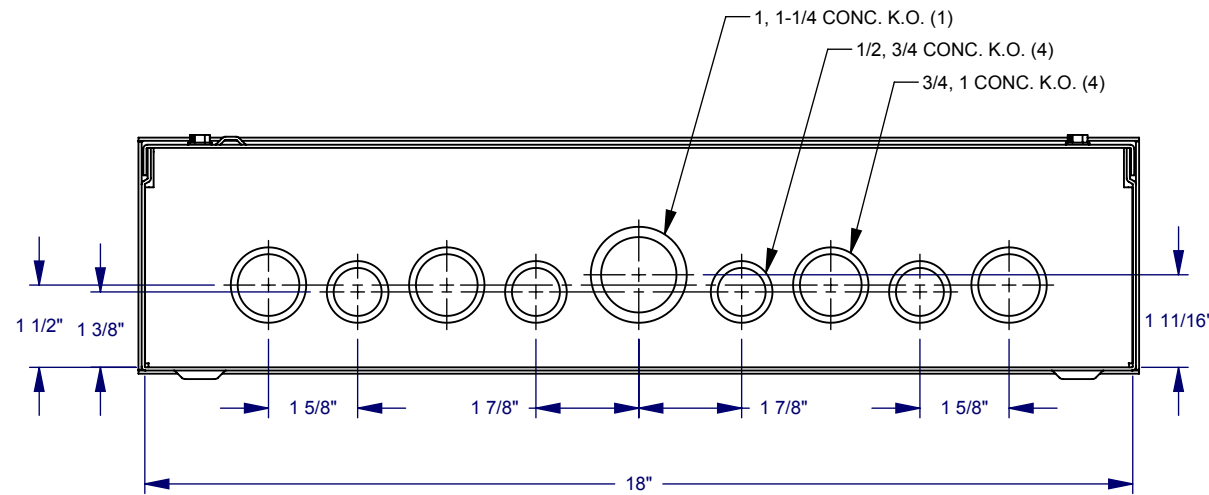
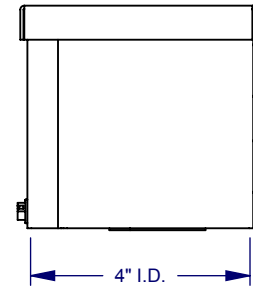
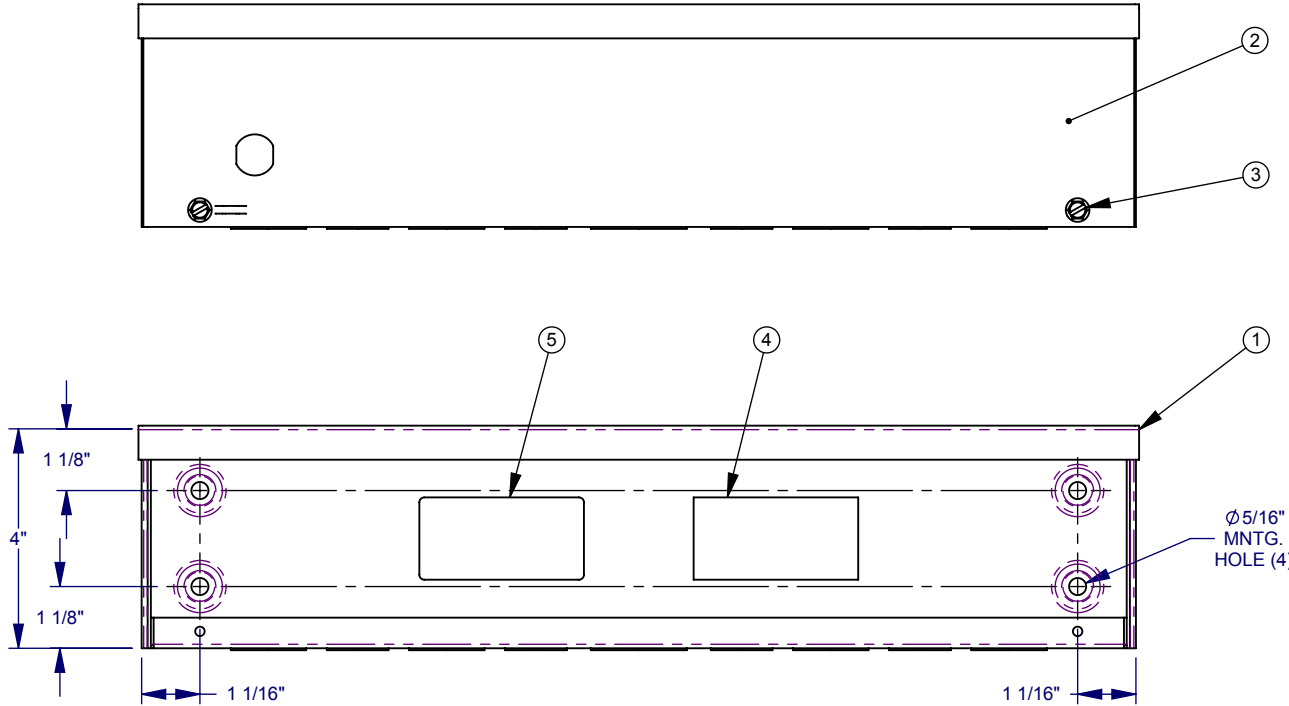
Brand Name: Milbank  
Type: Wiring Trough  
Special Features: Key Locking Cylinder Latch Provision,  
Sealing Eye Lance  
Application: Wireway  
Standard: UL Listed, Type 3R  
Cover Type: Screw Cover  
Enclosure: Outdoor Enclosure  
Nominal Cross Section: 4x4  
Straight Section Length: 18  
Material: Steel with Powder Coat Finish  
Finish: ANSI 61 Gray  
Knockouts: True



*Utility requirements may vary. Always consult the serving utility for their requirements prior to ordering or installing this equipment. This product must always be installed by a licensed electrician. Installation of this equipment may require local electrical inspector approval.*

CAT. NO.	U/L LABEL
4418-GSC3R(-)	1002943
RC-4418-GSC3R(-)	1125051

ITEM	QTY.	PART NUMBER	DESCRIPTION
1	1	(SEE CHART)	BACK WELDMENT
2	1	1164574	FRONT
3	2	1001290	SCREW, 10-32 X 5/16
4	1	1002898	LABEL, RATING 4x4 GSC3R
5	1	(SEE CHART)	UL LABEL, WIREWAY



SUFFIX	WELDMENT NO.	INSTALL K.O.s
NONE	1153000	YES
-NK	1164573	NO

NEMA DWG.: #268

REV.	DATE	DESCRIPTION	BY
A3	5/5/11	REDRAW INTO SW; UPDATE K.O. PATTERN (ECO #20576)	D.F.
A4	5/1/13	CHART VERSIONS (ECO #23876)	D.F.

Material:	16 GA. GALV. STEEL	
Shear/ Die#:		
Finish:	MILBANK LIGHT GRAY	
Part Wt.:		
Tolerances:	Third Angle	
Unless Specified Otherwise		
X.X	±.1	
X.XX	±.03	
X.XXX	±.015	
X*	±2*	
Scale:	NTS	Checked By:
Drawn By:	D.F.	Approved By:

**MILBANK**  
 General Offices: Kansas City, MO

Title: SCREW COVER WIREWAY  
 NEMA TYPE 3R

Catalog No.: SEE CHART

Customer:

Drawing No.: **1011110**

Date: 5/5/11 Sheet 1 of 1