

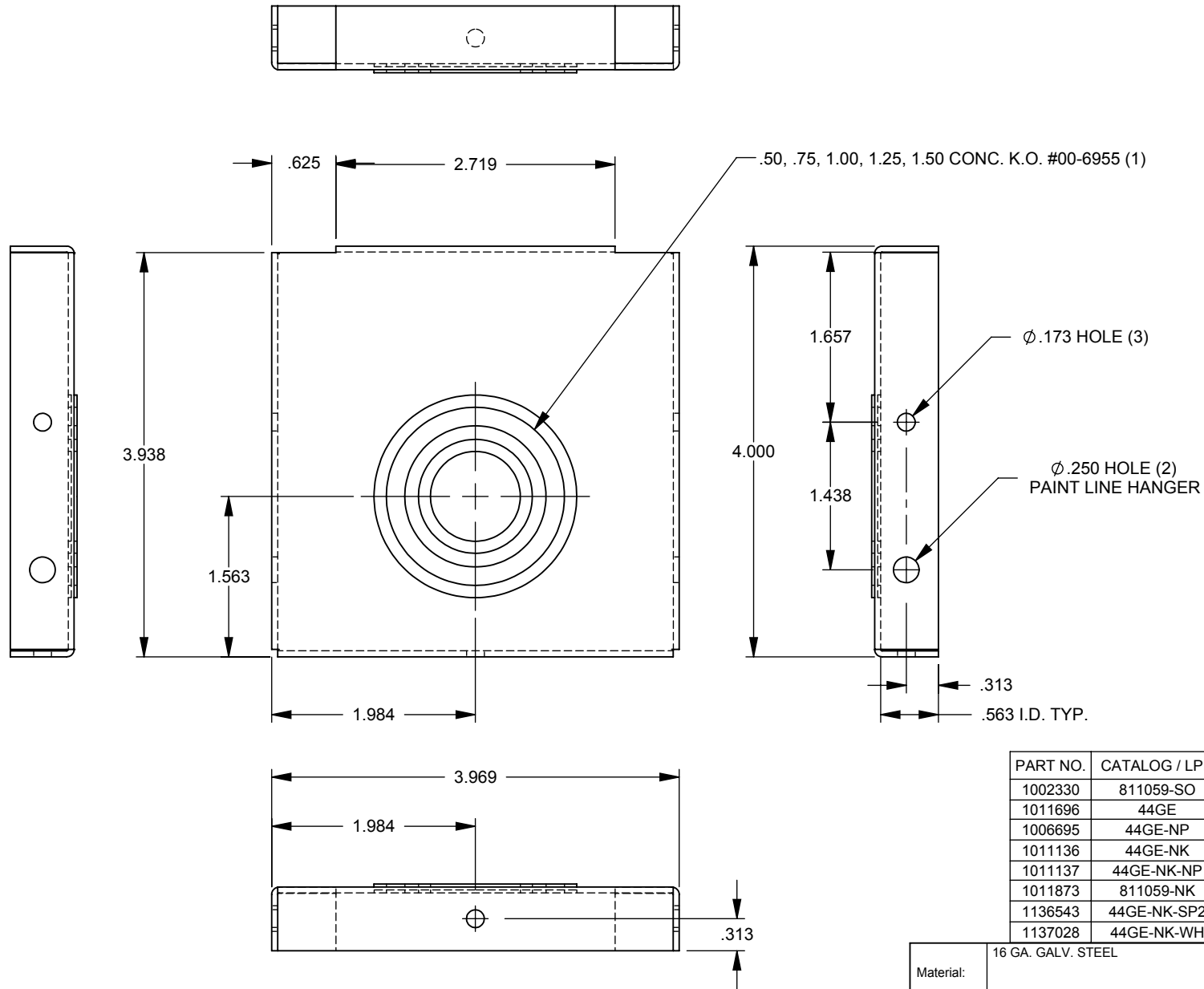


Catalog Number: 44GE
Item Description: WIREWAY ACCESSORY
UPC Code: 784572106765

Brand Name: Milbank
Type: Wireway End
Application: Wireway Accessory
Standard: UL Listed, Type 1
Cover Type: Screw Cover
Enclosure: Indoor Enclosure
Nominal Cross Section: 4x4
Material: Steel with Powder Coat Finish
Finish: ANSI 61 Gray
Knockouts: True




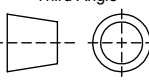
Utility requirements may vary. Always consult the serving utility for their requirements prior to ordering or installing this equipment. This product must always be installed by a licensed electrician. Installation of this equipment may require local electrical inspector approval.



NOTES:
 1.) DIE RUN COMPLETE:
 K.C. DIE #2874
 CPC DIE #2880
 2.) USE CARTON #1003086 FOR SHIPPING, 100-PER.

LPN: #811059-SO

| PART NO. | CATALOG / LPN | FINISH | INSTALL K.O.s |
|----------|---------------|--------------------|---------------|
| 1002330 | 811059-SO | NONE | YES |
| 1011696 | 44GE | MILBANK LIGHT GRAY | YES |
| 1006695 | 44GE-NP | NONE | YES |
| 1011136 | 44GE-NK | MILBANK LIGHT GRAY | NO |
| 1011137 | 44GE-NK-NP | NONE | NO |
| 1011873 | 811059-NK | MILBANK LIGHT GRAY | NO |
| 1136543 | 44GE-NK-SP2 | BLACK | NO |
| 1137028 | 44GE-NK-WH | WHITE | NO |

| | | | | |
|---|----------------|---|----------------------|---|
| Material: | | 16 GA. GALV. STEEL | |  General Offices: Kansas City, MO |
| Shear/ Die#: | SEE NOTE | | | |
| Finish: | SEE CHART | | | |
| Part Wt.: | 0.384 LBS. EA. | | | |
| Tolerances: | | Third Angle | | Title: END COVER 4 X 4 GSC1 SCREW COVER WIREWAY Catalog No.: 44GE-(-) Customer: |
| Unless Specified Otherwise X.X ±.1 X.XX ±.03 X.XXX ±.015 X* ±2* | |  | | |
| Scale: | NTS | Checked By: | Drawing No.: 1002330 | |
| Drawn By: | D.F. | Approved By: | Date: | 12/23/08 Sheet 1 of 1 |

| REV. | DATE | DESCRIPTION | BY |
|------|----------|---|------|
| F1 | 12/23/08 | CHART BLACK VERSIONI; REDRAW INTO SOLIDWORKS (ECO #17913) | D.F. |
| F2 | 5/19/09 | UPDATE CHART AND ADD 1137028 TO CHART (ECO #18311) | D.F. |
| G | 3/13/12 | ADD CARTON NOTE (ECO #22022) | D.F. |