



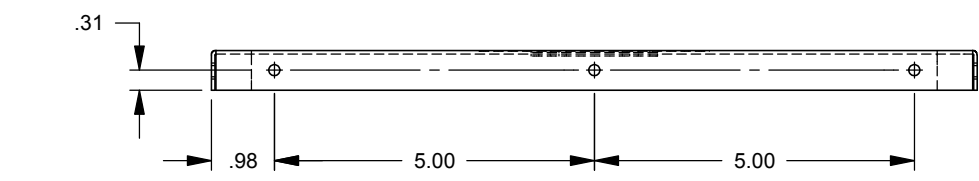
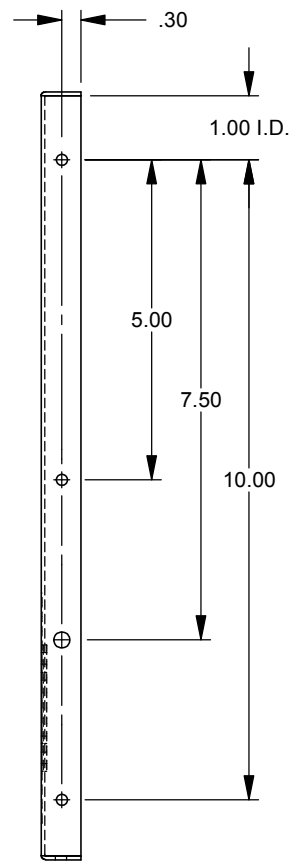
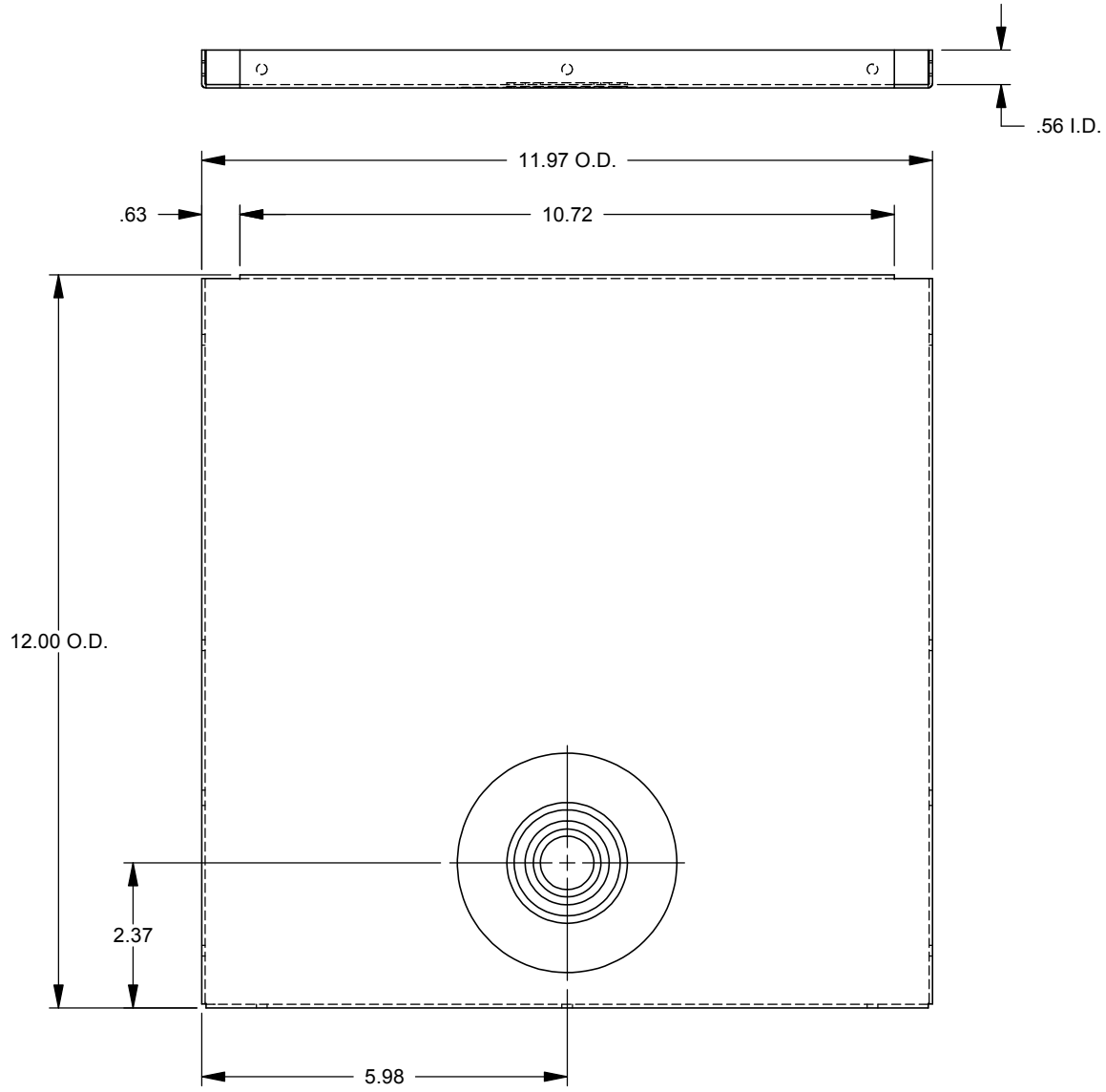
Catalog Number: 1212GE
Item Description: WIREWAY ACCESSORY
UPC Code: 784572101616

Brand Name: Milbank
Type: Wireway End
Application: Wireway Accessory
Standard: UL Listed, Type 1
Cover Type: Screw Cover
Enclosure: Indoor Enclosure
Nominal Cross Section: 12x12
Material: Steel with Powder Coat Finish
Finish: ANSI 61 Gray
Knockouts: True



Utility requirements may vary. Always consult the serving utility for their requirements prior to ordering or installing this equipment. This product must always be installed by a licensed electrician. Installation of this equipment may require local electrical inspector approval.

| PART NO. | LPN | K.O. QTY | MAT'L. |
|----------|-------------|----------|--------|
| 1103441 | 811140-SO | 1 | GALV |
| 1011942 | 811140-NK | N/A | GALV |
| 1002272 | 811140-SUNK | N/A | CRS |
| 1002270 | 811140-SU | 1 | CRS |


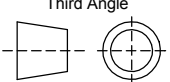


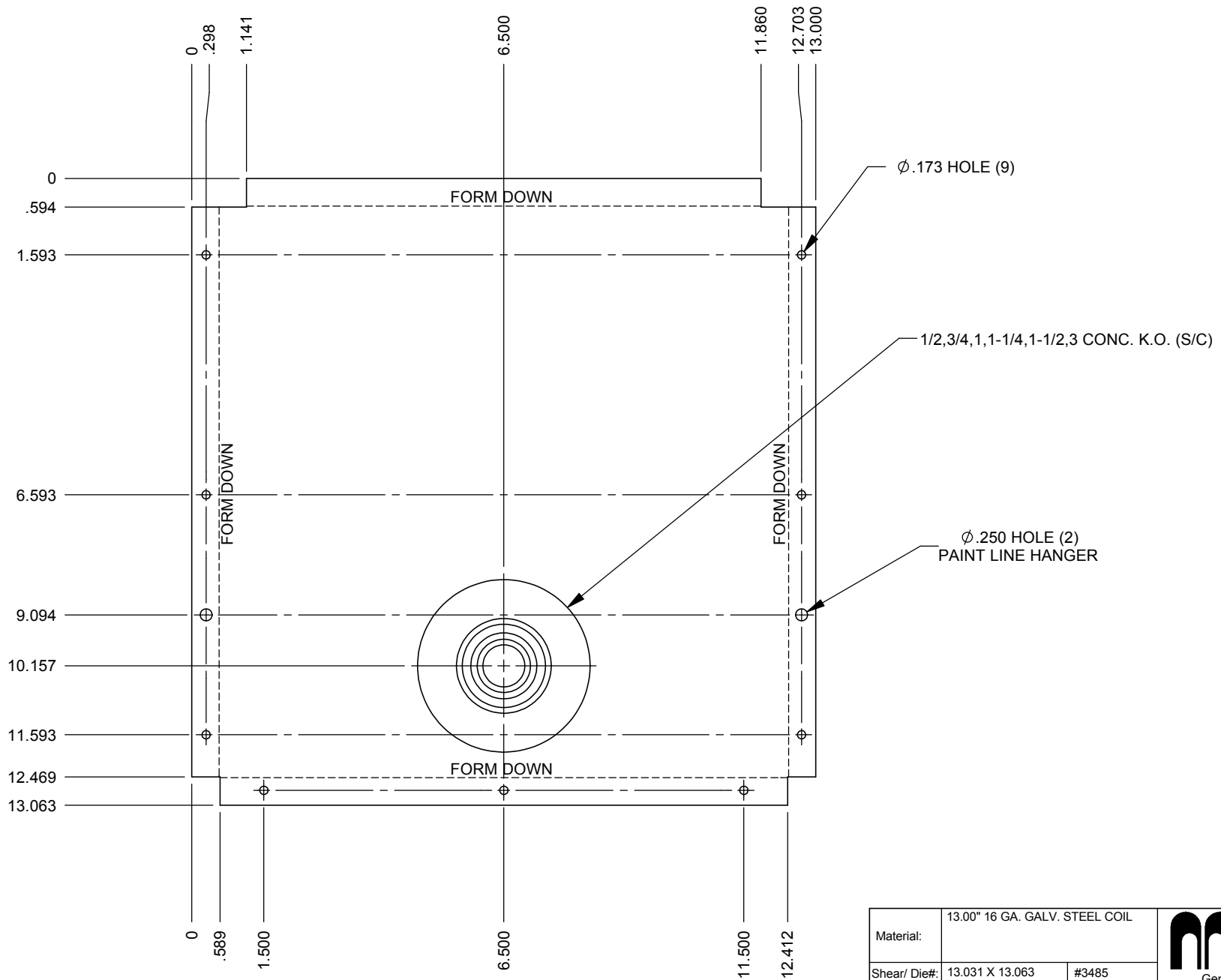
NOTES:

- 1.) WHEN SOLD WITH SUFFIX -SSH PACK WITH (2) #1132855 BAGS OF SCREWS.

LPN: #811140-SO

| REV. | DATE | DESCRIPTION | BY |
|------|---------|-------------------------------------|------|
| E1 | 2/9/11 | REDRAW INTO SOLIDWORKS (ECO #20315) | D.F. |
| F | 9/19/14 | REV CHART(eECR2925) | SEM |

| | | | |
|----------------------------|--------------------------------|---|---|
| Material: | 13.00" STEEL COIL SEE CHART | |  <p>General Offices: Kansas City, MO</p> |
| Shear/ Die#: | 13.031 X 13.063 | #3485 | |
| Finish: | MILBANK LIGHT GRAY | | Title: |
| Part Wt.: | 2.744 LBS. EA. | | END COVER 12x12 GSC1 SCREW COVER WIREWAY |
| Tolerances: | | Third Angle | Catalog No.: |
| Unless Specified Otherwise | |  | Customer: |
| X.X | ±.1 | | Drawing No.: |
| X.XX | ±.03 | | 1103441 |
| X.XXX | ±.015 | | Date: |
| X* | +2° | | 2/9/11 |
| Scale: | NTS | Checked By: | Sheet |
| Drawn By: | D.F. | Approved By: | 1 of 2 |



LPN: #811140-SO

| REV. | DATE | DESCRIPTION | BY |
|------|---------|-------------------------------------|------|
| E1 | 2/9/11 | REDRAW INTO SOLIDWORKS (ECO #20315) | D.F. |
| F | 9/19/14 | REV CHART(eECR2925) | SEM |

| | | | |
|--|--------------------------------|-------|--|
| Material: | 13.00" 16 GA. GALV. STEEL COIL | | <p>General Offices: Kansas City, MO</p> |
| Shear/ Die#: | 13.031 X 13.063 | #3485 | |
| Finish: | MILBANK LIGHT GRAY | | |
| Part Wt.: | 2.744 LBS. EA. | | Title: |
| Tolerances: Unless Specified Otherwise X.X ±.1 X.XX ±.03 X.XXX ±.015 X* ±2* | | | END COVER 12x12 GSC1 SCREW COVER WIREWAY |
| Third Angle | | | Catalog No.: |
| Scale: NTS Drawn By: D.F. Checked By: Approved By: | | | 1212GE Customer: Drawing No.: |
| | | | 1103441 Date: 2/9/11 Sheet 2 of 2 |