

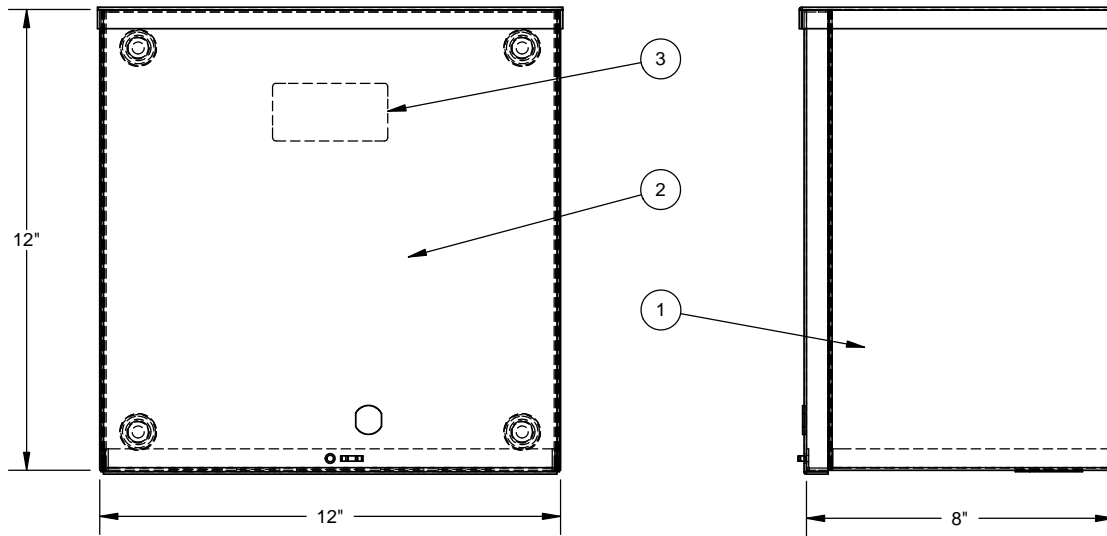


Catalog Number: 12128-SC3R
Item Description: N3R SCREW COVER ENCL
UPC Code: 784572101562

Brand Name: Milbank
Type: Screw Cover
Special Features: Drip Shield Top, Cover Secured with Plated Screw, Mounting Embosses on Enclosure Back
Application: Enclosure for Mounting Electrical Equipment
Standard: UL Listed
Number Of Outlet: 0
Material: Steel with Powder Coat Finish
Color: ANSI 61 Gray
Mounting: Wall Mount
NEMA Rating: Type 3R



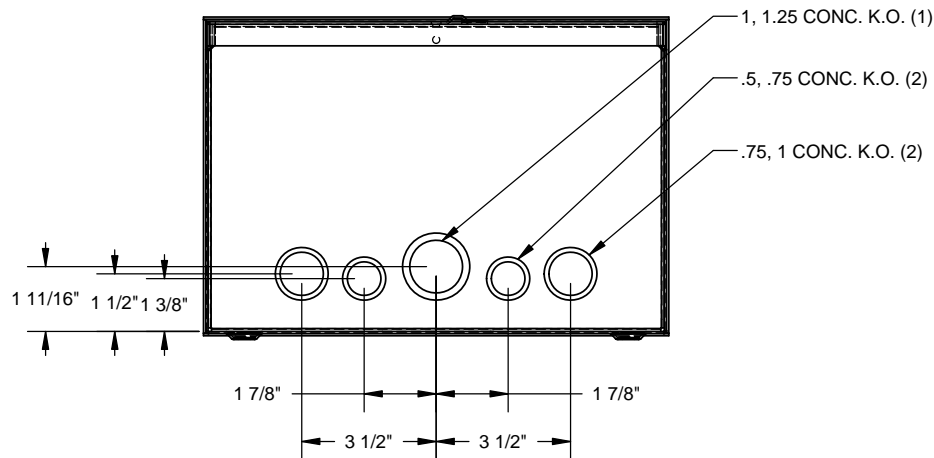
Utility requirements may vary. Always consult the serving utility for their requirements prior to ordering or installing this equipment. This product must always be installed by a licensed electrician. Installation of this equipment may require local electrical inspector approval.


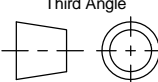


ITEM	QTY.	PART NUMBER	DESCRIPTION
1	1	(SEE CHART)	SHELL WELDMENT
	1	1004332	BACK
	1	1010340	TOP
	1	(SEE CHART)	BOTTOM
2	1	(SEE CHART)	FRONT
3	1	(SEE CHART)	LABEL (UL)
4	1	1002170	BAG OF NEMA SCREWS
5	1	1003469	CARTON (NOT SHOWN)

PERFEIX	UL LABEL
NONE	1002135
RC	1125021
SPRSC	1132714

SUFFIX	SHELL	BOTTOM	FRONT	PAINTED	K.O.
NONE	1157482	1010643	1143508	YES	YES
-NK	1157484	1157473			NO
-NP	1157481	1010643	1010747	NO	YES
-NK-NP	1157483	1157473			NO



Material:	16 GA. STEEL		 <p>General Offices: Kansas City, MO</p>	
Shear/ Die#:				
Finish:	MILBANK LIGHT GRAY			
Part Wt.:	12			
Tolerances: Unless Specified Otherwise X.X ±.1 X.XX ±.03 X.XXX ±.015 X* ±2*		Third Angle 		
Title:	NEMA TYPE 3R SCREW COVER CAN		Catalog No.:	12128-SC3R
Customer:			Drawing No.:	1001608
Date:	1-26-12	Sheet	1 of 1	

REV.	DATE	DESCRIPTION	BY
B5	1-26-12	DRAWING NUMBER WAS 199; REDRAWN IN SW; ADDED WELDMENT CHART (ECO #21826)	DL
C	2/27/12	1001290 WAS 1002170 (ECO #21948)	D.F.
D	1-23-14	Replaced 1001290 with bog of screws 1002170 eECR2675	AJS