



Catalog Number: 12128-SC1-NK
Item Description: N1 SCREW COVER ENCL NK
UPC Code: 784572101548

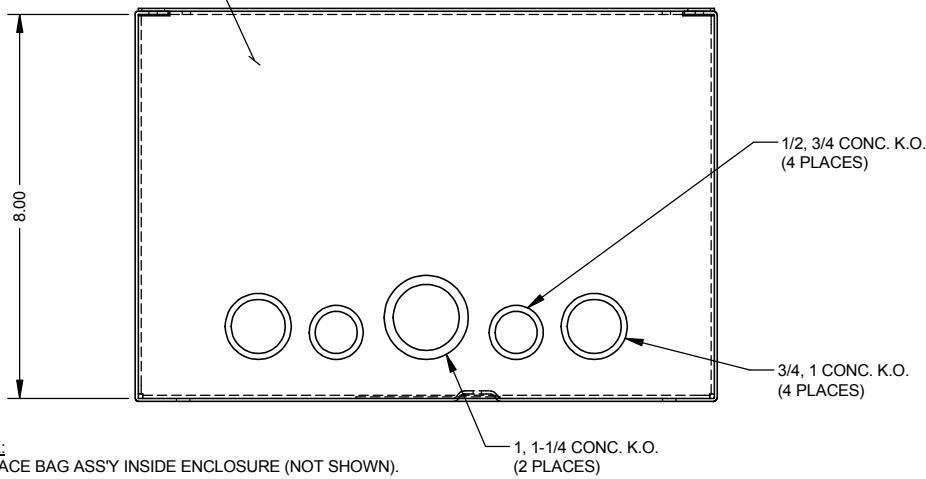
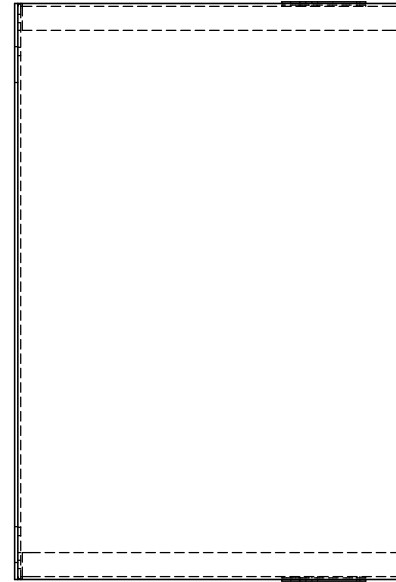
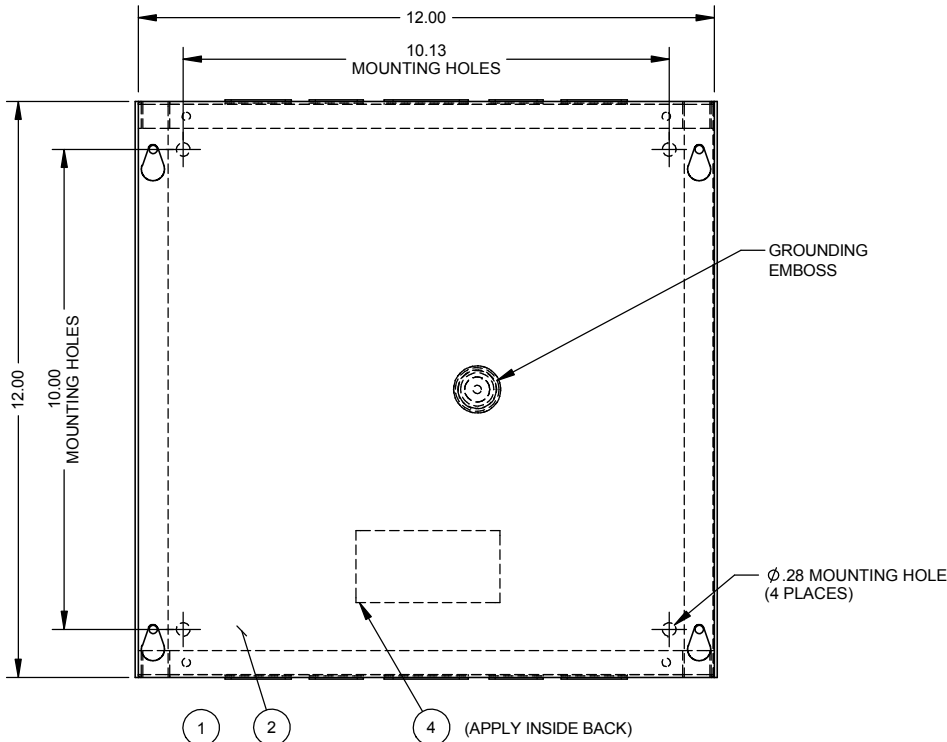
Brand Name: Milbank
Type: Screw Cover
Special Features: Cover Secured with Plated Screws
Application: Enclosure for Mounting Electrical Equipment
Standard: UL Listed
Number Of Outlet: 0
Material: Steel with Powder Coat Finish
Color: ANSI 61 Gray
Mounting: Wall Mount
NEMA Rating: Type 1



Utility requirements may vary. Always consult the serving utility for their requirements prior to ordering or installing this equipment. This product must always be installed by a licensed electrician. Installation of this equipment may require local electrical inspector approval.

| CATALOG# | LABEL# |
|------------------|---------|
| 12128-SC1-() | 1002135 |
| RC-12128-SC1-() | 1125021 |
| SPSC-12128-() | 1132714 |


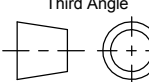
| ITEM | QTY. | PART NUMBER | DESCRIPTION |
|------|------|-------------|------------------------------|
| 1 | 1 | (SEE CHART) | BACK WELDMENT |
| 2 | 1 | (SEE CHART) | COVER PLATE |
| 3 | 1 | 1002646 | BAG ASSY, SCREWS (NOT SHOWN) |
| 4 | 1 | (SEE CHART) | U/L LISTING LABEL |
| 5 | 1 | 1002475 | BAG ASSY (GROUND SCREW) |
| 6 | 1 | 1003469 | CARTON (NOT SHOWN) |



| SUFFIX | FINISH | BACK NO. | PLATE NO. | INSTALL KOs |
|--------|--------------------|----------|-----------|-------------|
| NONE | MILBANK LIGHT GRAY | 1153566 | 1143515 | YES |
| -NP | NONE | 1153568 | 1003265 | YES |
| -NK | MILBANK LIGHT GRAY | 1153567 | 1143515 | NO |
| -NK-NP | NONE | 1153569 | 1003265 | NO |

NOTE:
1. PLACE BAG ASSY INSIDE ENCLOSURE (NOT SHOWN).

NEMA DWG.: #146

| | | | |
|--|--|---|-----------|
| Material: | 16 GA. 16 GA. GALV. STEEL |  General Offices: Kansas City, MO | |
| Shear/ Die#: | | | |
| Finish: | MILBANK LIGHT GRAY | | |
| Part Wt.: | 5.2 | | |
| Tolerances: Unless Specified Otherwise X.X ±.1 X.XX ±.03 X.XXX ±.015 X* ±2* | | Third Angle  | |
| Title: | 12128 SCREW COVER TYPE 1 ENCLOSURE | Catalog No.: | 12128-SC1 |
| Customer: | MILBANK STANDARD | Drawing No.: | 1001609 |
| Scale: | NTS | Checked By: | |
| Drawn By: | DY | Approved By: | |
| Date: | 04/26/01 | Sheet | 1 of 1 |

| REV. | DATE | DESCRIPTION | BY | DL |
|------|----------|--|----|----|
| D4 | 6/2/11 | CHART WELDMENT & PLATE (ECO #20762) | | DL |
| E | 2/24/12 | 1001290 WAS 1002646 (ECO #21948) | | DF |
| F | 10-29-12 | REM. 1001290; ADD 1002646 (ECO #23125) | | DL |