



Catalog Number: 10104-SC3R  
Item Description: N3R SCREW COVER ENCL  
UPC Code: 784572100190

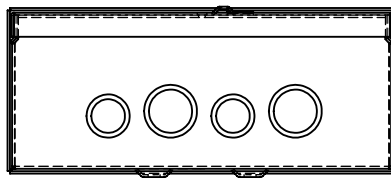
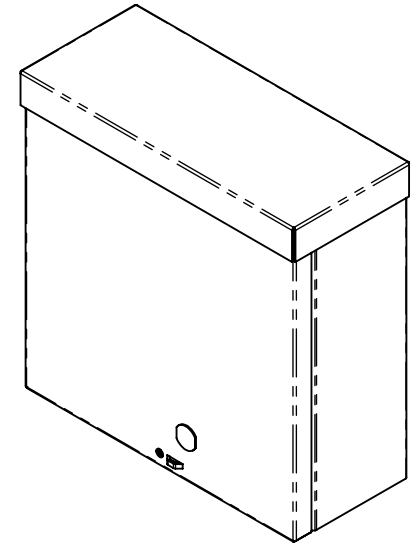
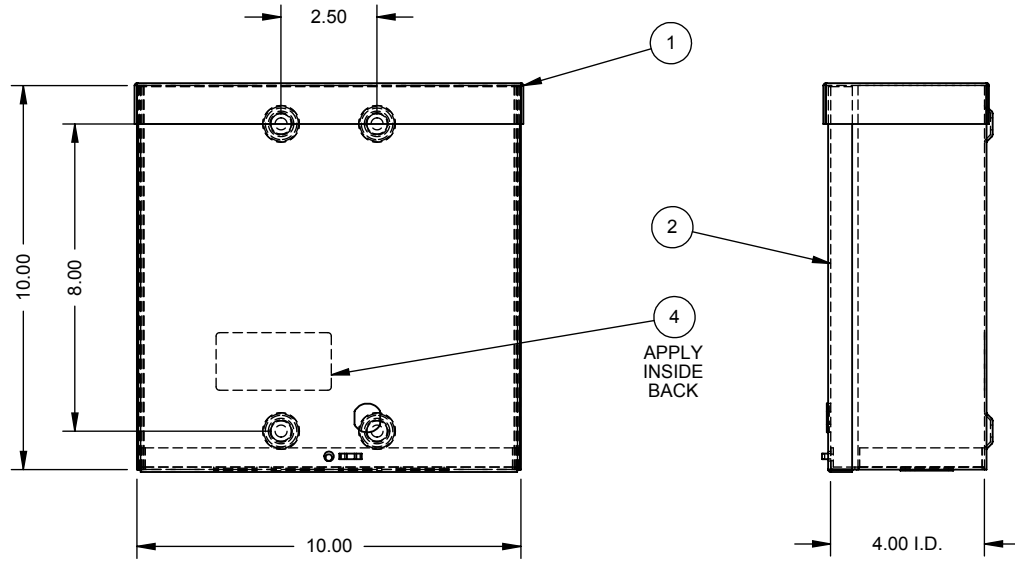
Brand Name: Milbank  
Type: Screw Cover  
Special Features: Drip Shield Top, Cover Secured with Plated Screw, Mounting Embosses on Enclosure Back  
Application: Enclosure for Mounting Electrical Equipment  
Standard: UL Listed  
Number Of Outlet: 0  
Material: Steel with Powder Coat Finish  
Color: ANSI 61 Gray  
Mounting: Wall Mount  
NEMA Rating: Type 3R




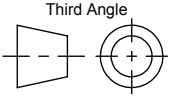
*Utility requirements may vary. Always consult the serving utility for their requirements prior to ordering or installing this equipment. This product must always be installed by a licensed electrician. Installation of this equipment may require local electrical inspector approval.*

CATALOG#	LABEL#
10104-SC3R	1002135
RC-10104-SC3R	1125021
SPRSC-10104	1132714

ITEM	QTY.	PART NUMBER	DESCRIPTION
1	1	1153908	BACK WELDMENT
2	1	1010746	FRONT
3	1	1002170	BAG OF NEMA SCREWS
4	1	(SEE CHART)	LABEL (UL)
5	0.33	1002933	CARTON (NOT SHOWN)



- NOTES:  
 1.) SHIP BAG ASSY INSIDE OF EACH ENCLOSURE.  
 2.) WHEN SOLD WITH "R" PREFIX, APPLY STANDARD CARTON LABEL SHOWING QUANTITY OF 1 TO THE WRAPPING OF EACH UNIT. APPLY STANDARD CARTON LABEL TO CARTON SHOWING QUANTITY OF 3.

Material:	GALVANIZED		 General Offices: Kansas City, MO											
Finish:	MILBANK LIGHT GRAY													
Tolerances: Unless Specified Otherwise X.X ±.1 X.XX ±.03 X.XXX ±.015 X° ±2°		Third Angle 	Title:	10 x 10 x 4 SCREW COVER TYPE 3R ENCLOSURE										
			Catalog No.:	(SEE CHART)										
			Customer:	MILBANK STANDARD										
			Drawing No.:	<b>1001505</b>										
C3	6/17/11	1002170 WAS 1003049 (ECO #20846)	D.F.	C5	5/16/12	NOTE 2: "THE WRAPPING" WAS "SHRINK WRAP"	Scale:	NTS	Checked By:		Date:	03/12/03	Sheet	1 of 1
C4	12/1/11	UPDATE RETAIL INFORMATION (ECO #21645)	D.F.			(ECO #22340)	Drawn By:	DY	Approved By:					