



Catalog Number: 18188-SC3R-NK
Item Description: N3R SCREW COVER ENCL NK
UPC Code: 784572103221

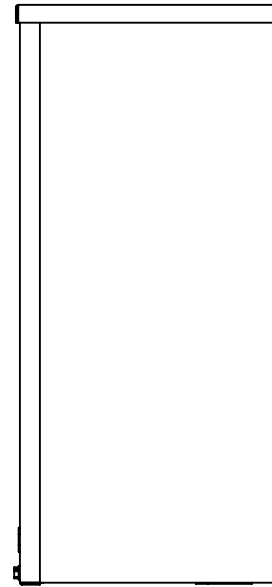
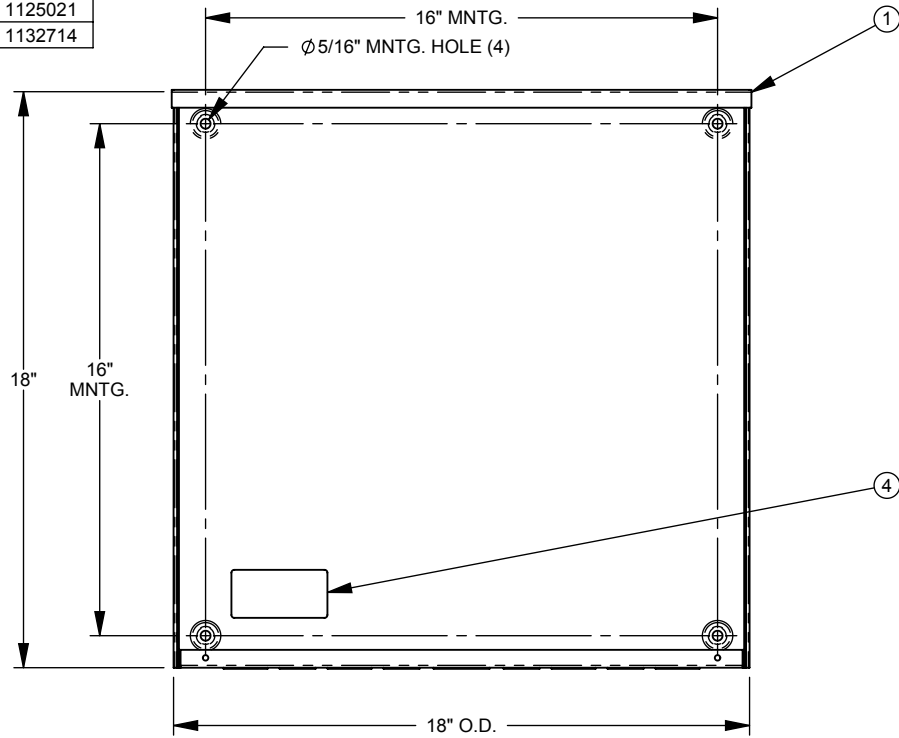
Brand Name: Milbank
Type: Screw Cover
Special Features: Drip Shield Top, Cover Secured with Plated Screw, Mounting Embosses on Enclosure Back
Application: Enclosure for Mounting Electrical Equipment
Standard: UL Listed
Number Of Outlet: 0
Material: Steel with Powder Coat Finish
Color: ANSI 61 Gray
Mounting: Wall Mount
NEMA Rating: Type 3R



Utility requirements may vary. Always consult the serving utility for their requirements prior to ordering or installing this equipment. This product must always be installed by a licensed electrician. Installation of this equipment may require local electrical inspector approval.

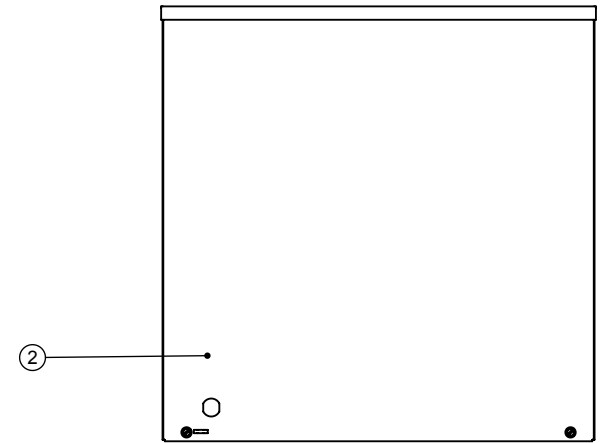
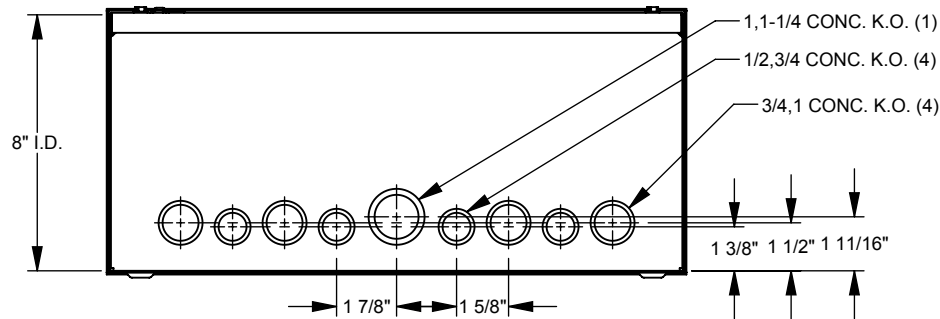
CATALOG NO.	LABEL NO.
18188-SC3R	1002135
RC-18188-SC3R	1125021
SPRSC-18188	1132714

ITEM	QTY.	PART NUMBER	DESCRIPTION
1	1	1004471	BACK WELDMENT
2	1	1004413	FRONT
3	2	1001290	SCREW, 10-32 X 5/16
4	1	(SEE CHART)	LABEL (UL)


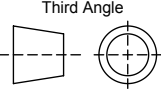


NOTES:

1.) SCREWS TO BE SHIPPED INSIDE OF ENCLOSURE.



CATALOG NO.	MATERIAL	FINISH
18188-SC3R	GALV. STEEL	MILBANK LIGHT GRAY
18188-SC3RXS-NK	304 PREGRAINED SS	NONE

Material:	16 GA. (SEE CHART)	 General Offices: Kansas City, MO	
Shear/ Die#:			
Finish:	SEE CHART	Title:	SCREW COVER CAN 18x18x8 NEMA TYPE 3 ENCLOSURE
Part Wt.:		Catalog No.:	SEE CHART
Tolerances: Unless Specified Otherwise X.X ±.1 X.XX ±.03 X.XXX ±.015 X* ±2*		Third Angle 	
Scale:	NTS	Checked By:	
Drawn By:	D.F.	Approved By:	
		Date:	8/23/11
		Sheet	1 of 1

NEMA DWG.: #202

REV.	DATE	DESCRIPTION	BY
B5	8/23/11	REDRAW INTO SOLIDWORKS (ECO #21163)	D.F.