



Catalog Number: 8836-GSC3R  
Item Description: N3R SCREW CVR GUTTER  
UPC Code: 784572109339

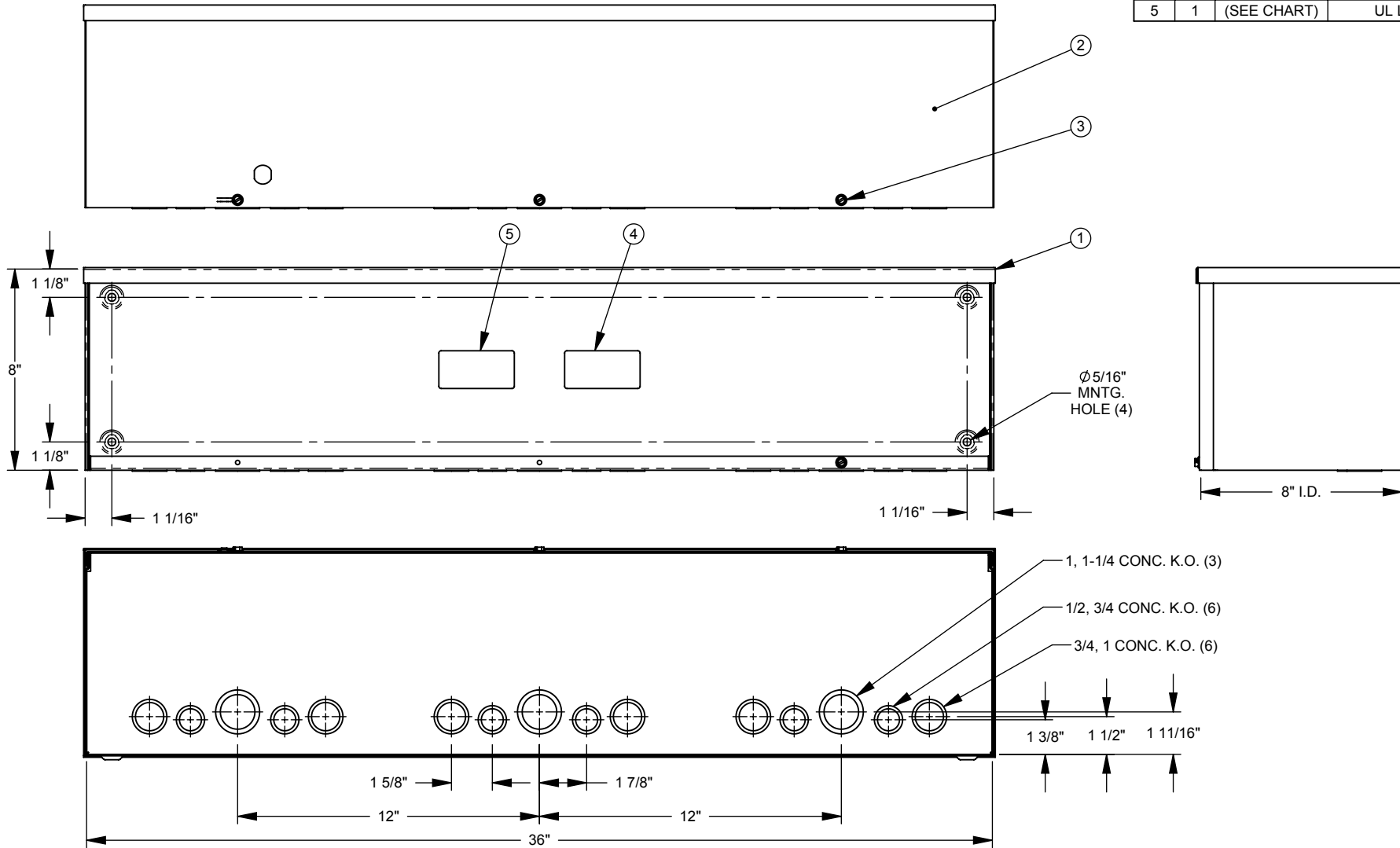
Brand Name: Milbank  
Type: Wiring Trough  
Special Features: Key Locking Cylinder Latch Provision,  
Sealing Eye Lance  
Application: Wireway  
Standard: UL Listed, Type 3R  
Cover Type: Screw Cover  
Enclosure: Outdoor Enclosure  
Nominal Cross Section: 8x8  
Straight Section Length: 36  
Material: Steel with Powder Coat Finish  
Finish: ANSI 61 Gray  
Knockouts: True



*Utility requirements may vary. Always consult the serving utility for their requirements prior to ordering or installing this equipment. This product must always be installed by a licensed electrician. Installation of this equipment may require local electrical inspector approval.*


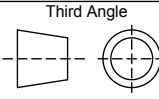
CAT. NO.	U/L LABEL
8836-GSC3R	1002943
RC-8836-GSC3R	1125051
SPRSCG-8836	1132575

ITEM	QTY.	PART NUMBER	DESCRIPTION
1	1	1153345	BACK WELDMENT
2	1	1004424	FRONT
3	3	1001290	SCREW, 10-32 X 5/16
4	1	1002896	LABEL, RATING 8x8 GSC3R
5	1	(SEE CHART)	UL LABEL, WIREWAY



NEMA DWG.: #287

REV.	DATE	DESCRIPTION	BY
A2	7/19/11	REDRAW INTO SOLIDWORKS; UPDATE K.O. PATTERN (ECO #21010)	D.F.

Material:	16 GA. GALV. STEEL		 <p>General Offices: Kansas City, MO</p>	
Shear/ Die#:				
Finish:	MILBANK LIGHT GRAY			
Part Wt.:				
Tolerances:			Title:	SCREW COVER WIREWAY NEMA TYPE 3R
Unless Specified Otherwise X.X ±.1 X.XX ±.03 X.XXX ±.015 X* ±2*			Catalog No.:	(SEE CHART)
Scale:	NTS	Checked By:	Customer:	
Drawn By:	D.F.	Approved By:	Drawing No.:	1002632
Date:		7/19/11	Sheet	1 of 1