



Catalog Number: 666-SC3R
Item Description: N3R SCREW COVER ENCL
UPC Code: 784572108202

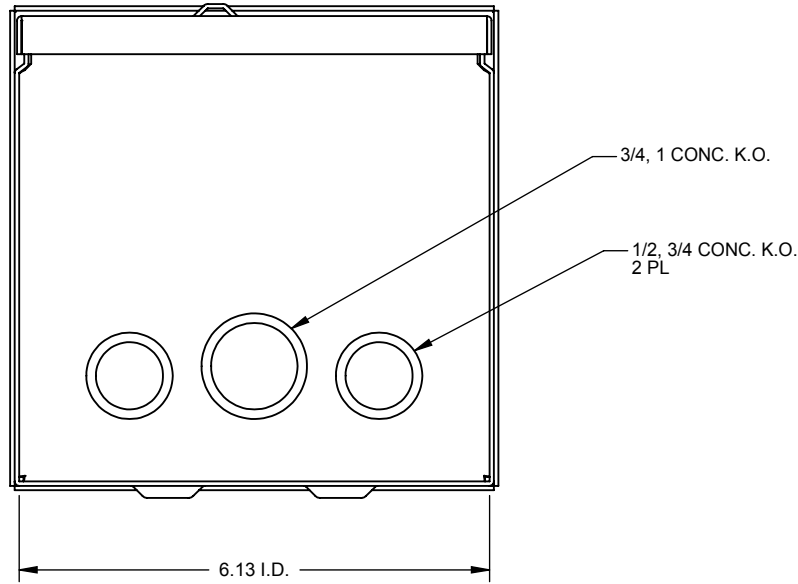
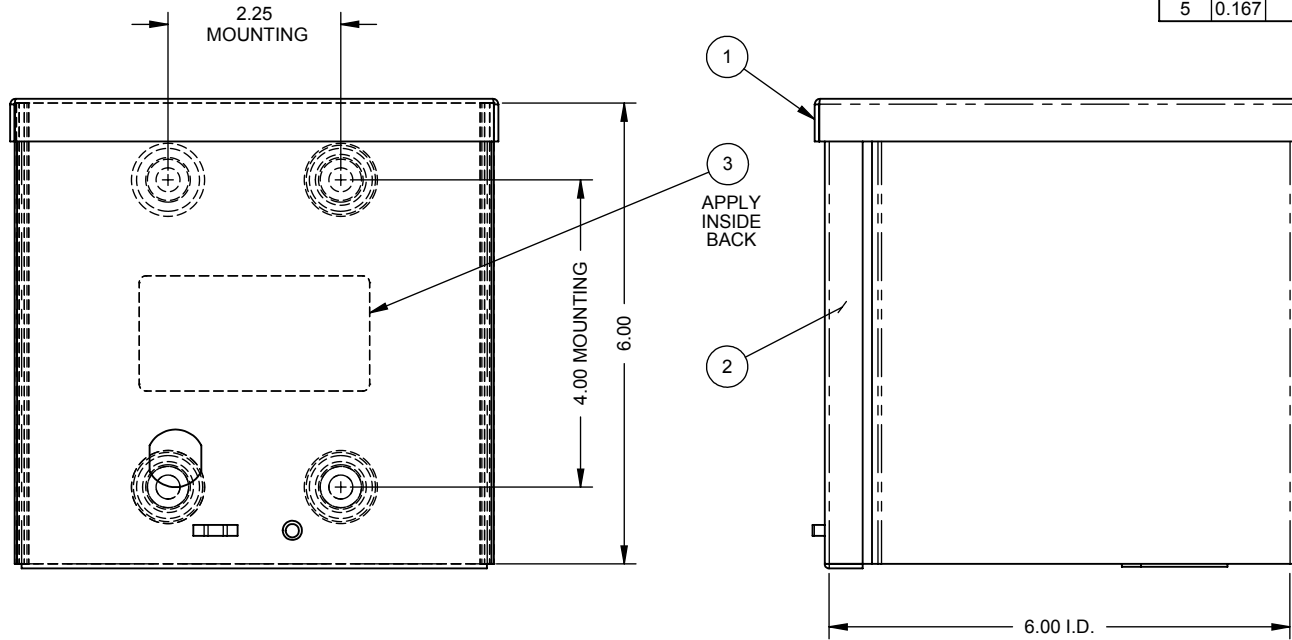
Brand Name: Milbank
Type: Screw Cover
Special Features: Drip Shield Top, Cover Secured with Plated Screw, Mounting Embosses on Enclosure Back
Application: Enclosure for Mounting Electrical Equipment
Standard: UL Listed
Number Of Outlet: 0
Material: Steel with Powder Coat Finish
Color: ANSI 61 Gray
Mounting: Wall Mount
NEMA Rating: Type 3R



Utility requirements may vary. Always consult the serving utility for their requirements prior to ordering or installing this equipment. This product must always be installed by a licensed electrician. Installation of this equipment may require local electrical inspector approval.


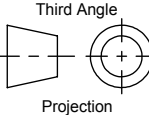
CATALOG#	LABEL#
666-SC3R	1002135
RC-666-SC3R	1125021
SPRSC-666	1132714

ITEM	QTY.	PART NUMBER	DESCRIPTION
1	1	1004461	BACK WELDMENT
2	1	1002108	FRONT
3	1	(SEE CHART)	LABEL (UL)
4	1	1002170	BAG OF NEMA SCREWS
5	0.167	1002133	CARTON 6-PER (NOT SHOWN)



NOTES:
1.) BAG ASSY TO BE SHIPPED INSIDE OF ENCLOSURE.

NEMA DWG.: #185

Material:	16 GA. GALV. STEEL	 MILBANK MANUFACTURING CO.	General Offices: Kansas City, MO		
Finish:	MILBANK LIGHT GRAY		Title:	666-SC3R SCREW COVER TYPE 3R ENCLOSURE	
Tolerances: Unless Specified Otherwise X.X ±.1 X.XX ±.03 X.XXX ±.015 X* ±2°		 Third Angle Projection		Catalog No.:	
		Customer:	MILBANK STANDARD	Drawing No.:	1003059
Scale:	NTS	Checked By:		Date:	03/12/03
Drawn By:		Approved By:		Sheet	1 of 1

F	10/19/11	DELETE 1001290; ADD 1002170 (ECO #21467)	D.F.			
G	1/5/12	1002108 WAS 1121991 (ECO #21725)	D.F.			