



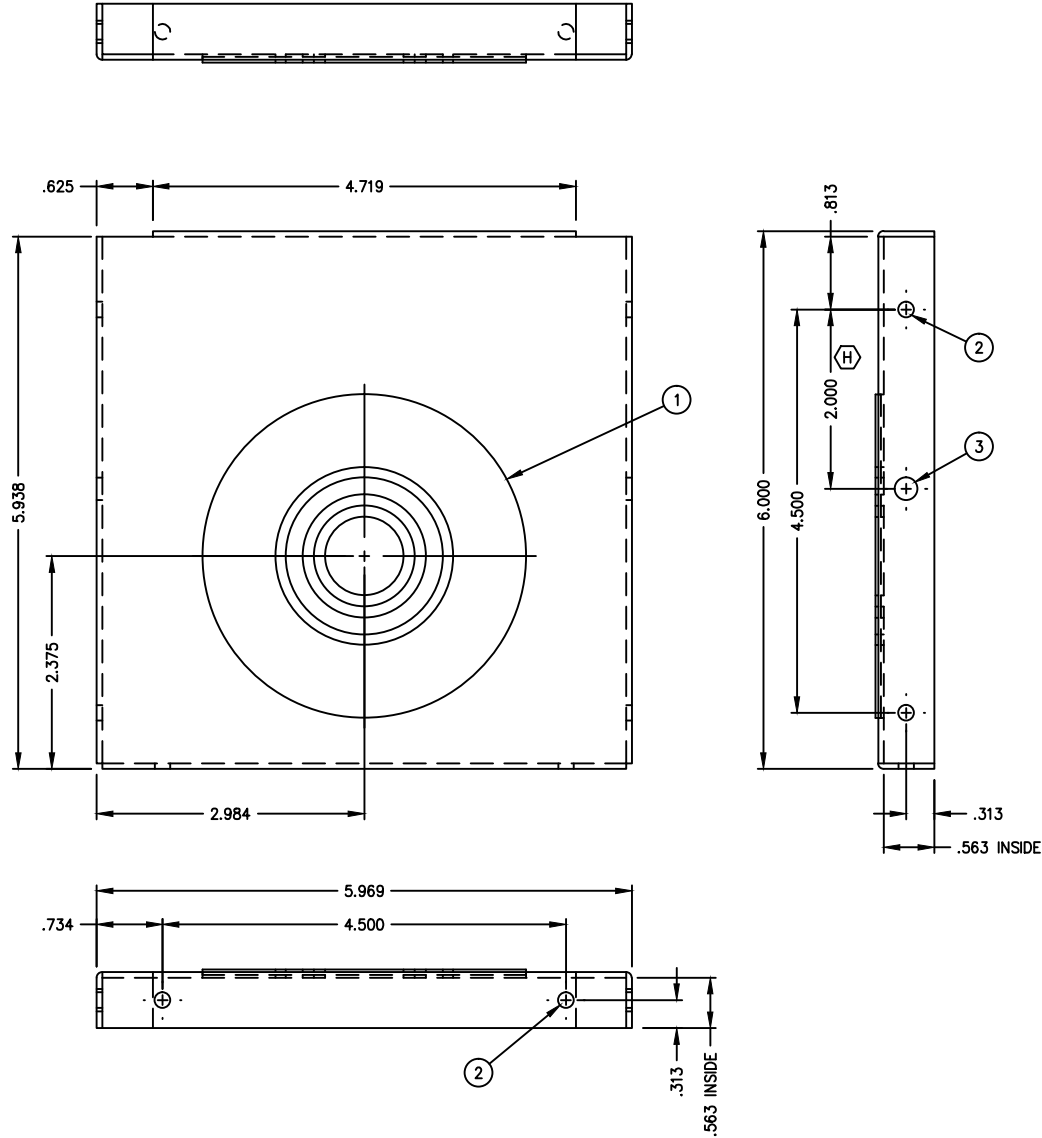
Catalog Number: 66GE
Item Description: WIREWAY ACCESSORY
UPC Code: 784572108394

Brand Name: Milbank
Type: Wireway End
Application: Wireway Accessory
Standard: UL Listed, Type 1
Cover Type: Screw Cover
Enclosure: Indoor Enclosure
Nominal Cross Section: 6x6
Material: Steel with Powder Coat Finish
Finish: ANSI 61 Gray
Knockouts: True



Utility requirements may vary. Always consult the serving utility for their requirements prior to ordering or installing this equipment. This product must always be installed by a licensed electrician. Installation of this equipment may require local electrical inspector approval.

BILL OF MATERIAL		
NO.	QTY.	DESCRIPTION
1	1	1/2, 3/4, 1, 1 1/4, 1 1/2, 3 CONC. KO
2	6	Ø .173
3	2	Ø .250 (PAINT LINE HANGER)



- NOTE:**
- ⊕ 1. DIE RUN COMPLETE
KC DIE #2875
 - ⊕ 2. WHEN SOLD AS "-SSH",
PACK WITH (2) 913638-SS.

CATALOG NO.	M2K NO.	MAT'L	P/N	M2K NO.
66GE	1003103	CRS	811061-SU	1173177
66GE-NK	1003166	CRS	811061-SUNK	1173178
66GE-NP	1004117	GALV	811061-SO	1002326
66GE-NK-NP	1011597	GALV	811061-NK	1002319

TOLERANCES:	
UNLESS NOTED OTHERWISE	
X.X	± .1
X.XX	± .03
X.XXX	± .015
X	± .2

REV.	DATE	DESCRIPTION	BY
I	9/18/14	ADD CHART(ⓔECR2925)	SEM
H	10-13-98	REVISE KNOCKOUT ORIENTATION ALT #2032 DWG. INCORRECT	KO
H	9-24-98	CHANGE DIE LOCATION, DIM ALT #2032	KO

MATERIAL	16 GA. GALVANIZED
FINISH	PAINTED MILBANK LIGHT GRAY
CATALOG NUMBER	66GE
TITLE	END COVER 6 x 6 GSC1 SCREW COVER WIREWAY
CUSTOMER	
DRAWING NUMBER	811061-11
SCALE:	NTS
DATE:	6-1-90
APPR:	