

Instruction Bulletin

Joining New Style NEMA Type 3R Enclosures to Old Style NEMA Type 3R Enclosures

Motor Control Centers (MCC)

Class 8998

⚠ DANGER

HAZARD OF ELECTRIC SHOCK, BURN, OR EXPLOSION

- This equipment must be installed and serviced only by qualified electrical personnel.
- Turn off all power supplying this equipment before working on or inside.
- Always use a properly rated voltage sensing device to confirm that power is off.
- Replace all devices, doors, and covers before turning on the power to this equipment.

Failure to follow these instructions will result in death or serious injury.

INTRODUCTION

This bulletin provides instructions for joining new style NEMA Type 3R enclosures manufactured after February 1998 to old style NEMA Type 3R enclosures manufactured before February 1998 (the new MCC enclosure is three inches shorter than the existing MCC). Instructions for joining to the left or right of an existing MCC enclosure (viewed from the front) are provided in this bulletin.

For all MCCs in NEMA Type 3R enclosures, the parts required for joining the enclosures are included in a kit. This kit is shipped with the MCC order and contains all the parts necessary to join the enclosures.

NOTE: All NEMA Type 3R sections manufactured after February 1998 measure approximately 93 inches from the bottom of the section to the top of the deflector.

INSTRUCTIONS

Joining to the left side of an existing NEMA Type 3R MCC enclosure.

1. Remove the end deflector (see Figure 1) from the leftmost section of the existing MCC and the end deflector, if supplied, from the rightmost section of the MCC being added. Discard both end deflectors. Retain the hardware for installation of new parts.
2. Remove the back plate from the leftmost section of the existing MCC and also from the rightmost section of the MCC being added. Retain the back plates and mounting hardware for re-installation.
3. Remove the end plate (see Figure 1) from the leftmost section of the existing MCC and the end plate, if supplied, from the rightmost section of the MCC being added. Discard both end plates. Retain the hardware for installation of new parts.
4. Remove the clear insulating barrier (see Figure 2) from the leftmost section of the existing MCC by punching out the rivets that are holding the barrier in place. Repeat this procedure for the barrier, if supplied, in the rightmost section of the MCC being added. Discard both barriers.

NOTE: Ensure that rivet parts do not fall into the MCC.

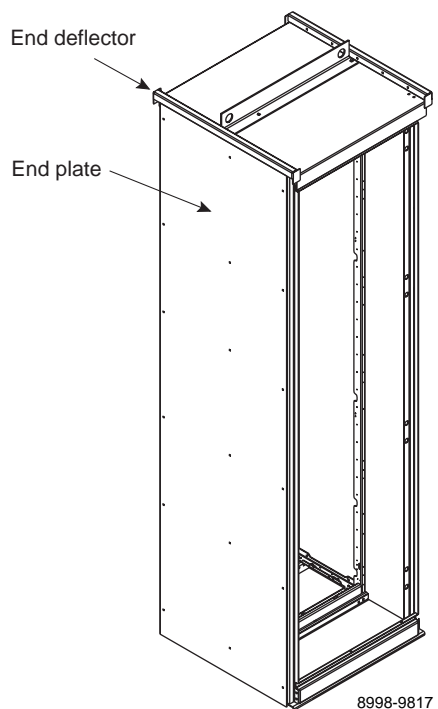


Figure 1: Remove the end deflector

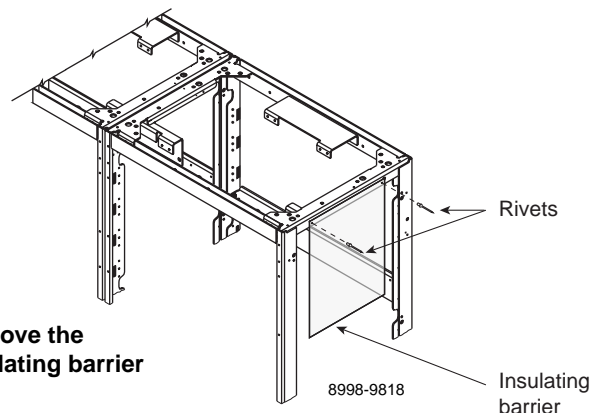


Figure 2: Remove the insulating barrier

5. Install the deflector bracket (see Figure 3) on the rightmost section of the MCC being added using two 8-32 Phillips head screws included in the kit. The same holes from which the rivets were removed will be used to mount the deflector bracket. Ensure that the top holes of the bracket align with the holes in the top plate of the enclosure.

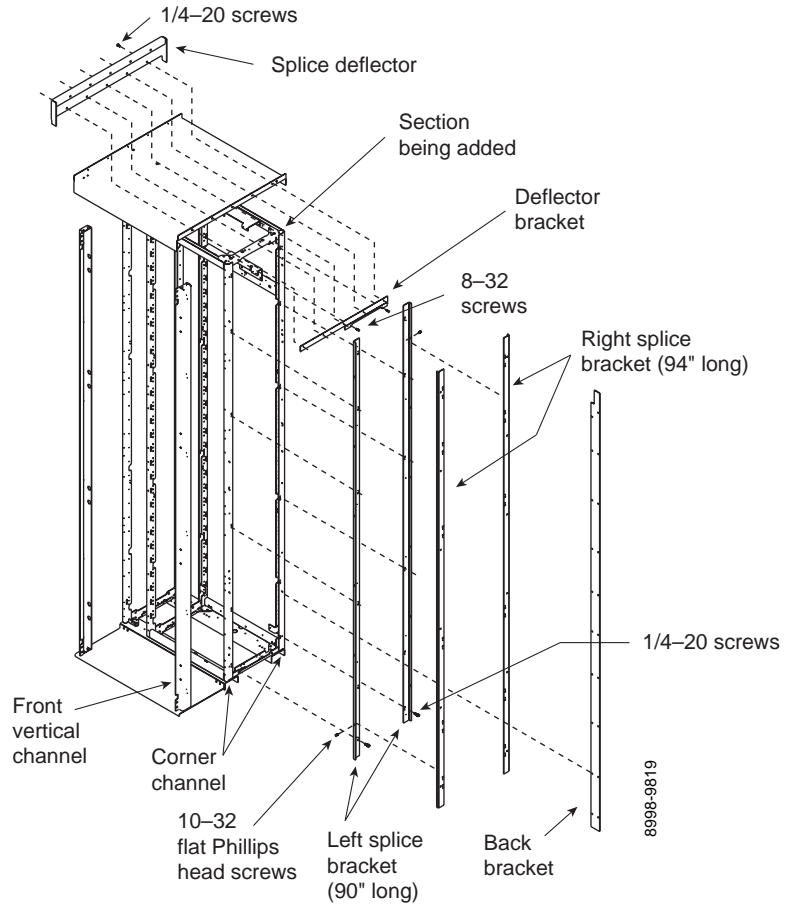


Figure 3: Install the deflector bracket

6. Attach a left splice bracket (see Figure 3), 90 inches long, to the front corner channel of the rightmost section of the MCC being added using six 1/4-20 screws contained in the kit. Ensure that the short flange is flush with the front of the corner channel and that the holes in the bracket line up with the holes in the corner channel.
7. Install a left splice bracket (see Figure 3), 90 inches long, to the rear corner channel of the rightmost section of the MCC being added using six 1/4-20 screws contained in the kit. Ensure that the short flange is flush with the back of the corner channel and that the holes in the bracket line up with the holes in the corner channel.
8. Attach a right splice bracket (see Figure 3), 94 inches long, to the left splice bracket installed in Step 6 using six 10-32 flat Phillips head screws contained in the kit. Ensure that the short flange is behind the flange of the left splice bracket. The right splice bracket will extend below the left splice bracket by approximately one inch when properly installed.

9. Install a right splice bracket (see Figure 3), 94 inches long, to the left splice bracket installed in Step 7 using six 10–32 flat Phillips head screws contained in the kit. Ensure that the short flange is in front of the flange of the left splice bracket. The right splice bracket will extend below the left splice bracket by approximately one inch when properly installed.
10. Position the structures that are to be spliced. Check that the fronts are flush to ensure proper alignment of all components.
11. Splice sections using the instructions in the Model 5 Instruction Bulletin (8998IM9101_) or the Model 6 Instruction Bulletin (8998IM9201_) supplied with the new MCC.

NOTE: When splicing the horizontal bus between the new and existing MCC sections, remove the splice bars contained in the leftmost section of the existing MCC. Discard the splice bars. Install the horizontal bus splice assembly provided in this kit using the instructions in the Model 5 or Model 6 Instruction Bulletin. Use the remaining six 1/4–20 hex head screws provided in the kit to splice the corner channels of the existing MCC to the right splice brackets installed in Steps 8 and 9.

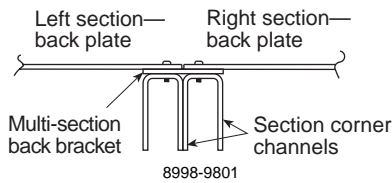


Figure 4: Re-attach the back plates

12. Using the 10–32 hex head screws removed in Step 2, re-attach the back plate (see Figure 4) to the rightmost section of the new MCC. Install the back bracket (see Figure 3 on page 2) under the back plate using the left side holes of the back bracket. Ensure that the notch at the top of the back bracket is installed toward the new MCC section.
 13. Using the 10–32 screws removed in Step 2, re-attach the back plate (see Figure 4) to the right section.
 14. Install the splice deflector (see Figure 3) to the rightmost section of the MCC being added. Use the five 1/4–20 screws supplied in the kit. Ensure that both top plate flanges are covered.
 15. Install five of the 1/4–20 screws removed in Step 1 through the splice deflector and into the top plate of the leftmost section of the existing MCC.
 16. Using the six 10–32 screws supplied in the kit, secure the right front vertical channel of the new NEMA Type 3R enclosure to the left front vertical channel of the existing NEMA Type 3R enclosure.
- NOTE: Install the screws through the clearance holes in the left front vertical channel of the existing MCC into the right front vertical channel of the new MCC.*
17. Before energizing the equipment, replace all covers and barriers.

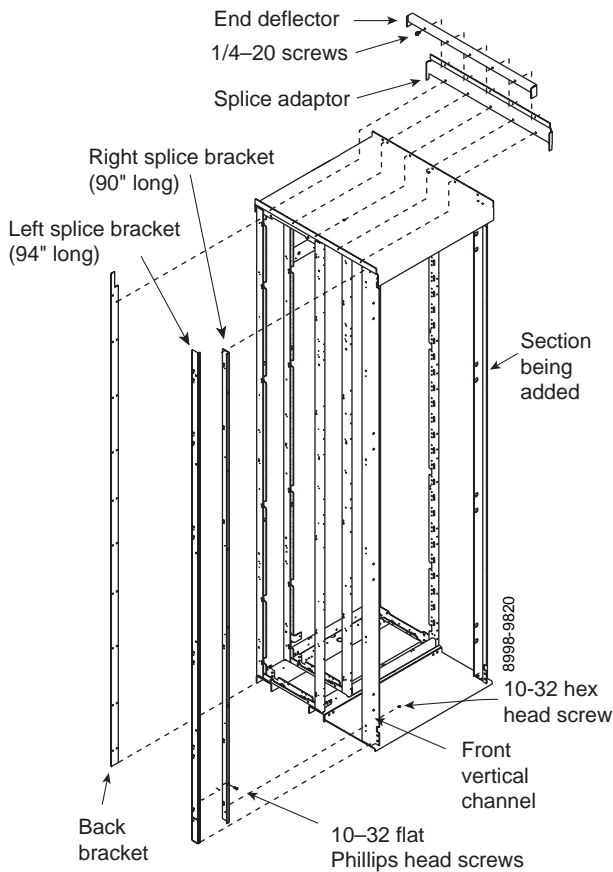



Figure 5: Install the splice deflector

Joining to the right side of an existing NEMA 3R MCC enclosure

1. Remove the end deflector (see Figure 1 on page 1) from the rightmost section of the existing MCC and the end deflector, if supplied, from the leftmost section of the MCC being added. Retain hardware for use in Step 12. Discard both end deflectors.
2. Remove the back plate from the rightmost section of the existing MCC and also from the leftmost section of the MCC being added. Retain the back plates and mounting hardware for re-installation.
3. Remove the end plate (see Figure 1) from the rightmost section of the existing MCC and the end plate, if supplied, from the leftmost section of the MCC being added. Discard both end plates.
4. Remove the clear insulating barrier (see Figure 2 on page 1) from the rightmost section of the existing MCC by punching out the rivets that are holding the barrier in place. Repeat this procedure for the barrier, if provided, located in the leftmost section of the MCC being added. Discard both barriers.

NOTE: Ensure that rivet parts do not fall into the MCC.

5. Install the left splice bracket (see Figure 5), 94 inches long, to the right front vertical channel of the existing MCC. Use six 10-32 hex head screws provided in the kit. The long flange of the splice channel will mount to the side of the vertical channel with the short flange near the front of the vertical channel. When properly installed, the bottom of the left splice bracket will be flush with the bottom of the vertical channel.
6. Install the right splice bracket (see Figure 5), 90 inches long, to the left splice bracket installed in Step 5 using six 10-32 flat Phillips head screws provided in the kit. Ensure that the short flange of the right splice bracket is in front of the flange of the left splice bracket. When properly installed, the left splice bracket will extend approximately one inch below the right splice bracket.
7. Position the structures that are to be spliced together. Make sure that the fronts are flush. This ensures proper alignment of all components.
8. Splice sections together using the instructions in the Model 5 Instruction Bulletin (8998IM9101_) or the Model 6 Instruction Bulletin (8998IM9201_) supplied with the new MCC. Use the 12 1/4-20 hex head screws provided in the kit to splice the corner channels of the existing MCC to the corner channels of the new MCC.
9. Re-attach the back plate (see Figure 4 on page 3) to the leftmost section of the MCC being added by using the 10-32 hex head screws removed in Step 3. Install the back bracket (see Figure 5) under the back plate using the right side holes of the back bracket. Ensure that the notch at the top of the back bracket is installed toward the new MCC section.
10. Using the hardware removed in Step 2, re-attach the back plate (see Figure 4) to the rightmost section of the existing MCC.
11. Install the splice adaptor (see Figure 5) to the leftmost section of the MCC being added by using five 1/4-20 screws provided in the kit.
12. Next, position the end deflector, provided in the kit, over the top plate flanges of both sections (see Figure 5) and install with five 1/4-20 screws removed in Step 1.
13. Using six 10-32 hex head screws, provided in the kit, secure the right front vertical channel of the MCC being added to the right splice bracket installed in Step 6 (see Figure 5).
14. Before energizing the equipment, replace all covers and barriers.

Square D and  are Registered Trademarks of Square D Company.

Electrical equipment should be serviced only by qualified electrical maintenance personnel. No responsibility is assumed by Square D for any consequences arising out of the use of this material.



California Proposition 65 Warning—Nickel Compounds and Bisphenol A (BPA)

Advertencia de la Proposición 65 de California— compuestos de níquel y Bisfenol A (BPA)

Avertissement concernant la Proposition 65 de Californie— composés de nickel et Bisphénol A (BPA)

⚠ WARNING: This product can expose you to chemicals including Nickel compounds, which are known to the State of California to cause cancer, and Bisphenol A (BPA), which is known to the State of California to cause birth defects or other reproductive harm. For more information go to www.P65Warnings.ca.gov.

⚠ ADVERTENCIA: Este producto puede exponerle a químicos incluyendo compuestos de níquel, que son conocidos por el Estado de California como causantes de cáncer, y Bisfenol A (BPA), que es conocido por el Estado de California como causante de defectos de nacimiento u otros daños reproductivos. Para mayor información, visite www.P65Warnings.ca.gov.

⚠ AVERTISSEMENT: Ce produit peut vous exposer à des agents chimiques, y compris composés de nickel, identifiés par l'État de Californie comme pouvant causer le cancer, et Bisphénol A (BPA) reconnus par l'État de Californie comme pouvant causer des malformations congénitales ou autres troubles de l'appareil reproducteur. Pour de plus amples informations, prière de consulter www.P65Warnings.ca.gov.

All trademarks are the property of Schneider Electric SE, its subsidiaries, and affiliated companies.

Schneider Electric USA, Inc.
800 Federal Street
Andover, MA 01810 USA
888-778-2733
www.schneider-electric.us

Todas las marcas comerciales son propiedad de Schneider Electric SE, sus filiales y compañías afiliadas.

Importado en México por:
Schneider Electric México, S.A. de C.V.
Av. Ejercito Nacional No. 904
Col. Palmas, Polanco 11560 México, D.F.
55-5804-5000
www.schneider-electric.com.mx

Toutes les marques commerciales sont la propriété de Schneider Electric SE, ses filiales et compagnies affiliées.

Schneider Electric Canada, Inc.
5985 McLaughlin Road
Mississauga, ON L5R 1B8 Canada
800-565-6699
www.schneider-electric.ca